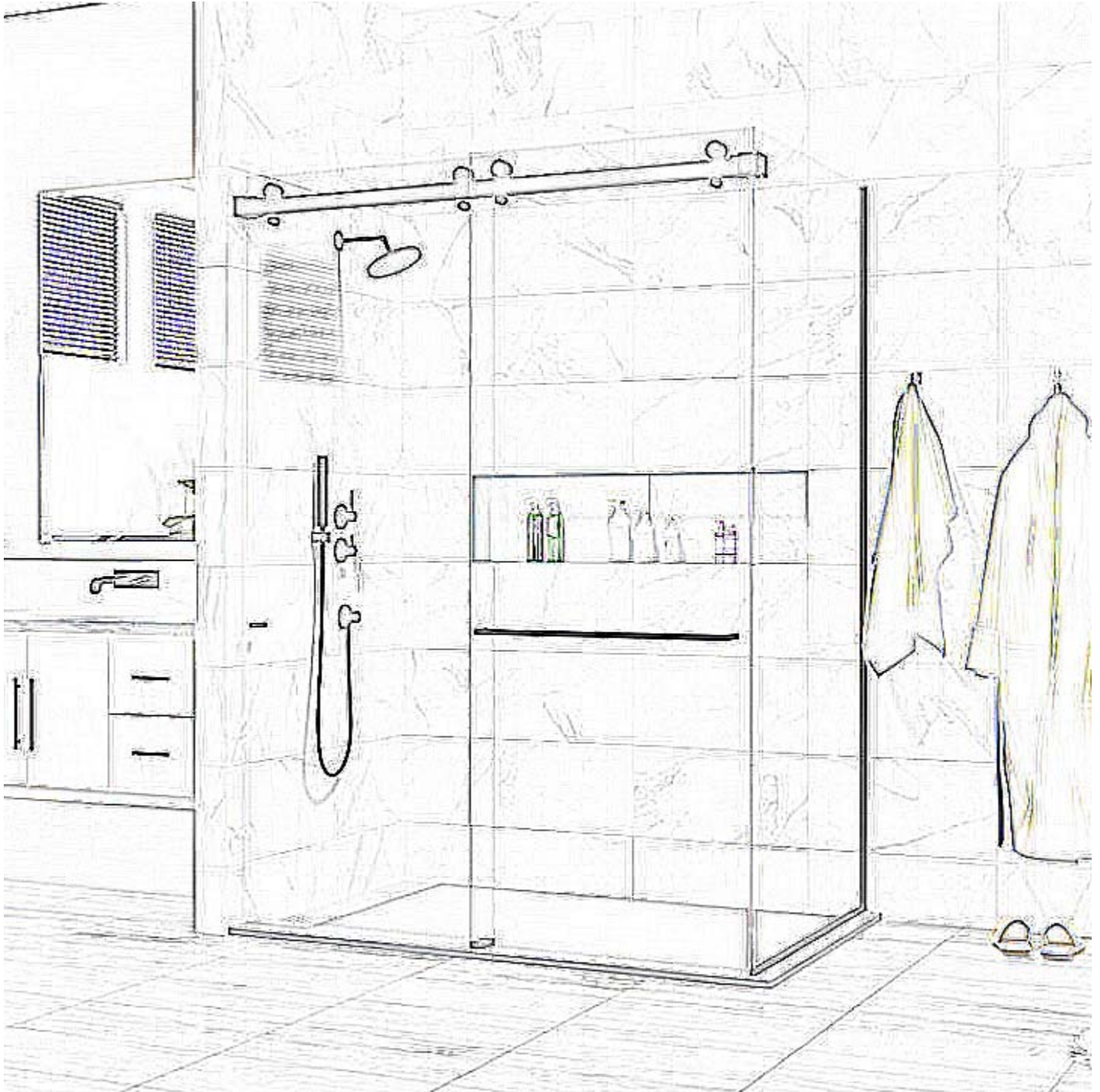


N/L and TR/EC Series Barn Door Placement and Centerline Guide

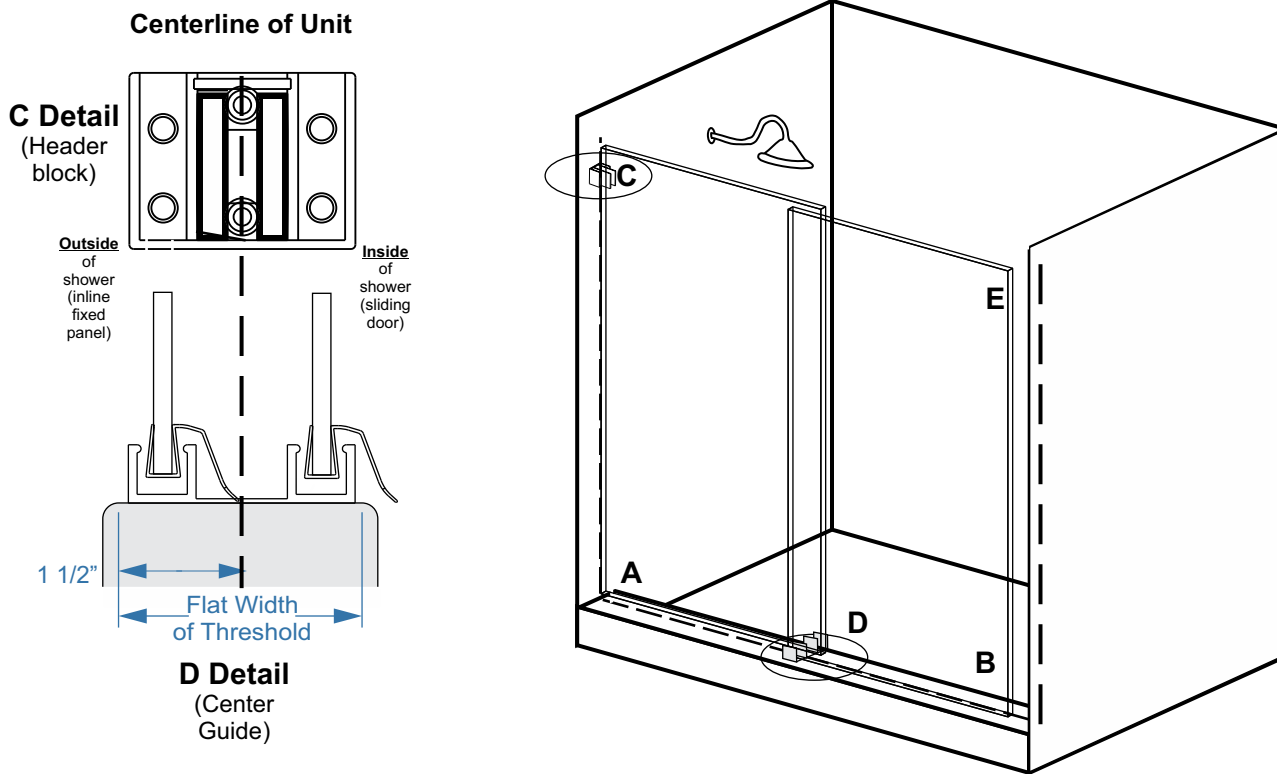
MM.5098
(rev050120)



**This documents helps you plan for
a successful installation of your
N/L or TR/EC Series Barn Doors**

Placement and Measuring Guide for NBSE/NBTE or LBSE/LBTE Bypass Sider

This flyer should be integrated with the NBSE/NBTE and LBSE/LBTE Installation Instruction MM.5073



Threshold Centerline (A to B)

- The "flat width" of the threshold does not including rounded edges
- Measure 1 1/2" from front to back of the flat to locate the Centerline of the unit. Draw this line from A to B.

Vertical Centerline (A to C)

- Using a level, extend the Threshold Centerline vertically up Both walls
- Note the Header Block is installed on these centerlines (Detail C & E)

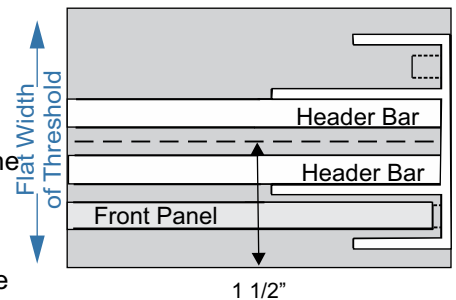
Center Guide (Detail D)

- The center guide will extend approximately 1 1/2" in front of the Threshold Centerline (A to B). This can deviate somewhat due to adjustments made during installation.
- **Alternate D Detail:** If the "flat" is less than approximately 3 1/16", the center guide may hang over the back. This is common for many molded shower pans. It can prohibit you from using both screws and anchors to secure the center guide. Use one screw and anchor and high quality VHB tape and silicone to secure the center guide as shown to the right

How to Measure:

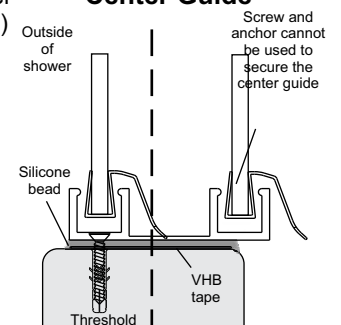
- To provide proper Threshold dimension, measure from A to B. Use a level to check conditions. There should be no more than 1/4" deviation from A to B
- Measure the desired or standard height of your unit along A to B.

B Detail



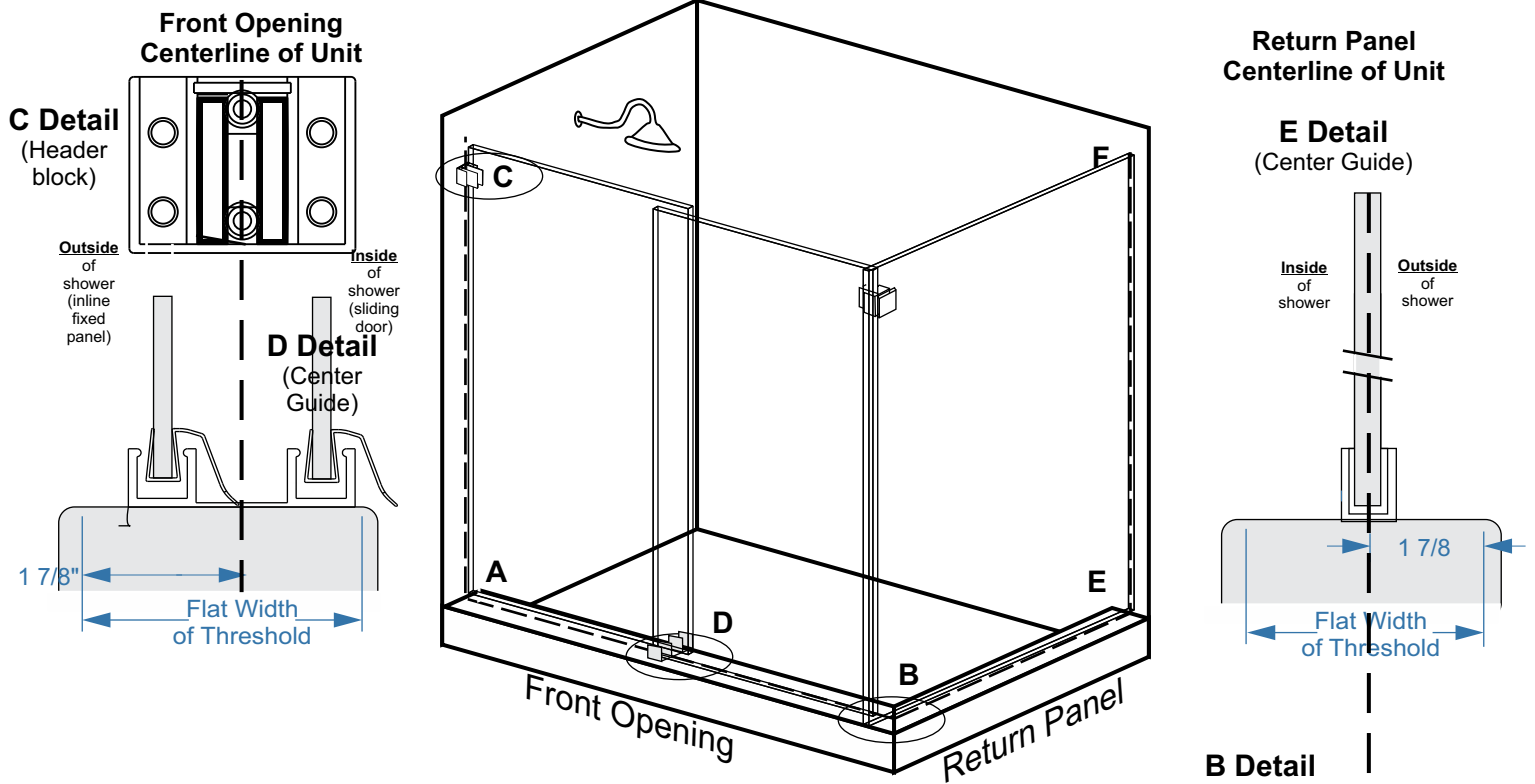
Alternate D Detail (Center Guide)

Overhanging Center Guide



Placement and Measuring Guide for NBSE90/NBTE90 or LBSE90/LBTE90 Bypass Sider

This flyer should be integrated with the NBSE90/NBTE90 and LBSE90/LBTE90 Installation Instruction MM.5074



Front Opening Centerline (A to B)

- The "flat width" of the threshold does not include rounded edges
- Measure 1 7/8" from the front of the flat to locate the Front Opening Centerline of the unit. Draw this line from A to B.

Vertical Centerline (A to C)

- Using a level, extend the Front Opening Centerline vertically up the wall
- Note the Header Block is installed on this centerline (Detail C)

Center Guide (Detail D)

- The center guide will extend approximately 1 1/2" in front of the Front Opening Centerline (A to B). This can deviate somewhat due to adjustments made during installation.

- **Alternate D Detail:** If the "flat" is less than approximately 3 1/4", the center guide may hang over the back. This is common for many molded shower pans. It can prohibit you from using both screws and anchors to secure the center guide. Use one screw and anchor and high quality VHB tape and silicone to secure the center guide as shown to the right

Return Panel Centerline (B to E)

- Measure 1 7/8" from the side of the flat to locate the Return Panel (RP) Centerline of the unit
- Extend line B to E the length of the Return Panel

Vertical Centerline (E to F)

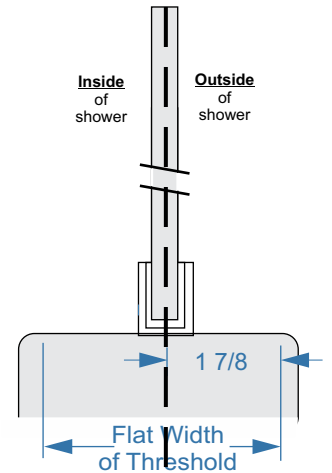
- Using a level, extend the RP Centerline vertically up the wall
- Note the Wall Channel used to glaze glass panel will be centered on the centerline

How to Measure:

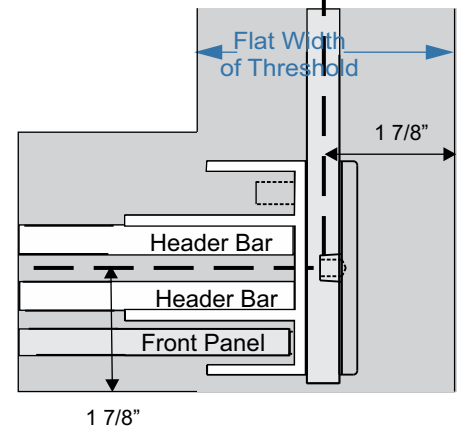
- To provide proper Front Opening dimension, measure from A to B. Use a level to check conditions. There should be no more than 1/4" deviation from A to B
- Return Panel dimension is B to E. There should be no more than 1/4" deviation from B to E
- Measure the desired or standard height of your unit along A to C and E to F

Return Panel Centerline of Unit

E Detail (Center Guide)



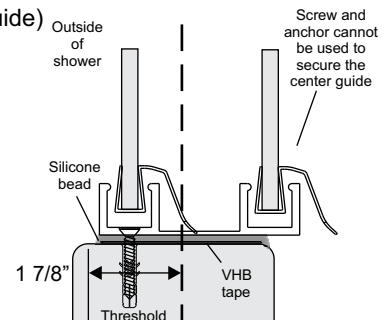
B Detail (90° Panel Joint)



Alternate

D Detail (Center Guide)

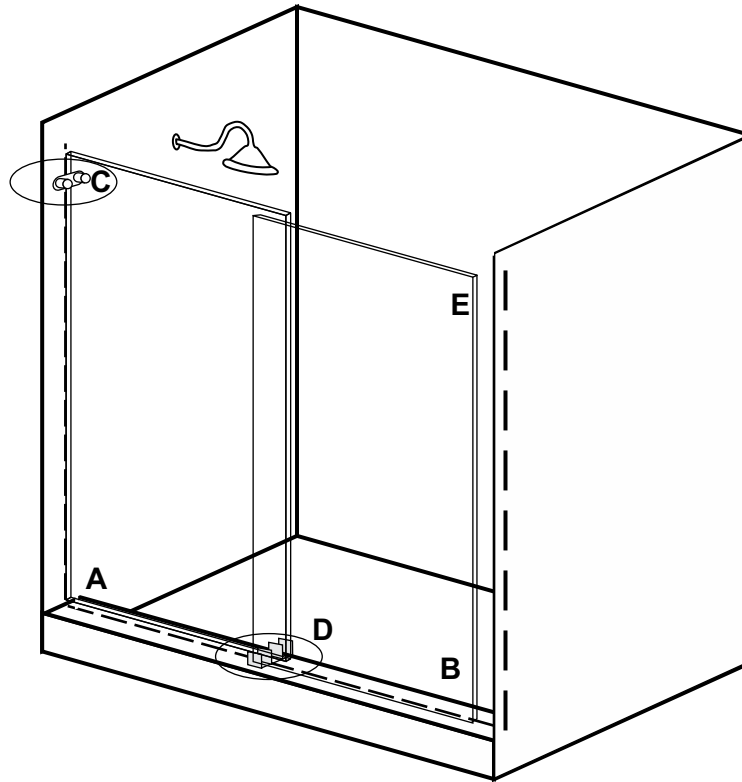
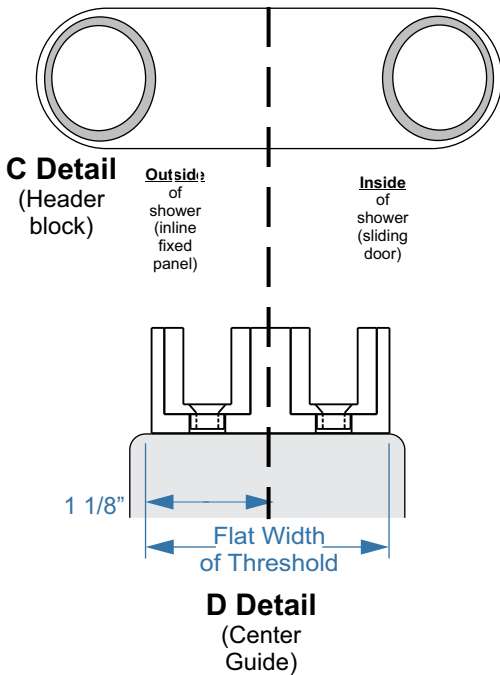
Overhanging Center Guide



Placement and Measuring Guide for TRBSE/TRBTE or ECBSE/ECBTE Bypass Sider

This flyer should be integrated with the TRBSE/TRBTE and ECBSE/ECBTE Installation Instruction MM.5003

Centerline of Unit



Threshold Centerline (A to B)

- The "flat width" of the threshold does not including rounded edges
 - Measure 1 1/8" front to back of the flat to locate the Centerline of the unit.
- Draw this line from A to B.

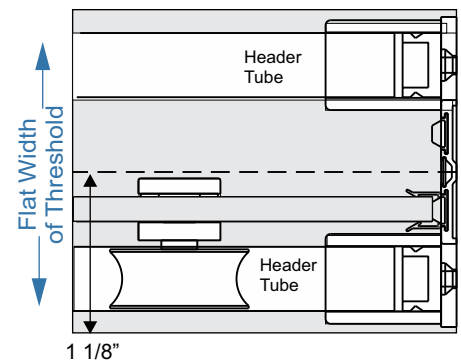
Vertical Centerline (A to C)

- Using a level, extend the Threshold Centerline vertically up Both walls
- Note the Header Block is installed on these centerlines (Detail C & E)

Center Guide (Detail D)

- The center guide will extend approximately 1 1/8" in front of the Threshold Centerline (A to B). This can deviate somewhat due to adjustments made during installation.
- **Alternate D Detail:** If the "flat" is less than approximately 2 1/4", the center guide may hang over the back. This is common for many molded shower pans. It can prohibit you from using both screws and anchors to secure the center guide. Use one screw and one anchor and high quality VHB tape and silicone to secure the center guide as shown to the right. High strength 5 minute epoxy can be used to secure the black door silencer/guide into the base.

B Detail



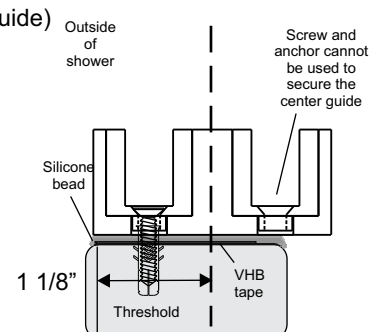
How to Measure:

- To provide proper Threshold dimension, measure from A to B. Use a level to check conditions. There should be no more than 1/4" deviation from A to B
- Measure the desired or standard height of your unit along A to B.

Alternate

D Detail (Center Guide)

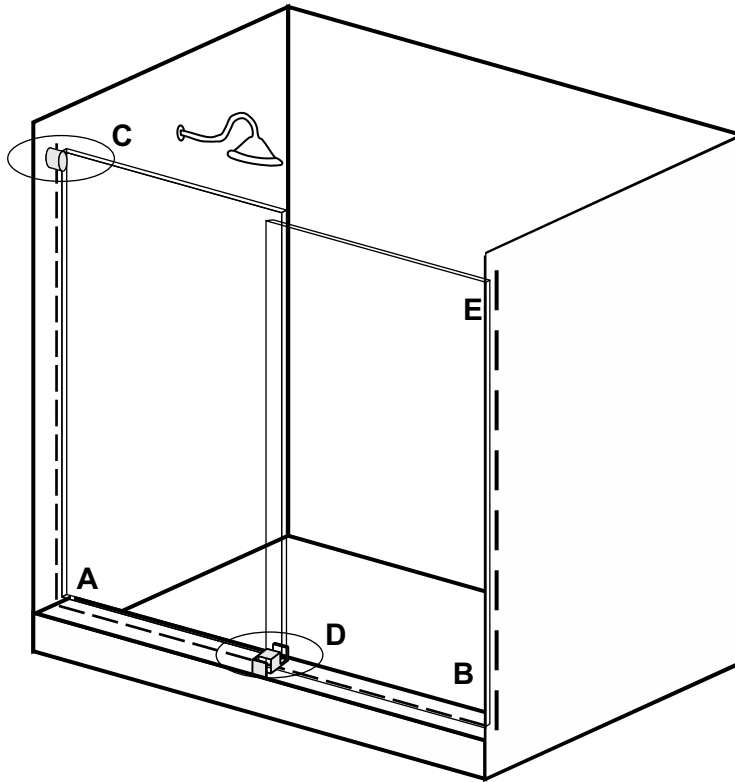
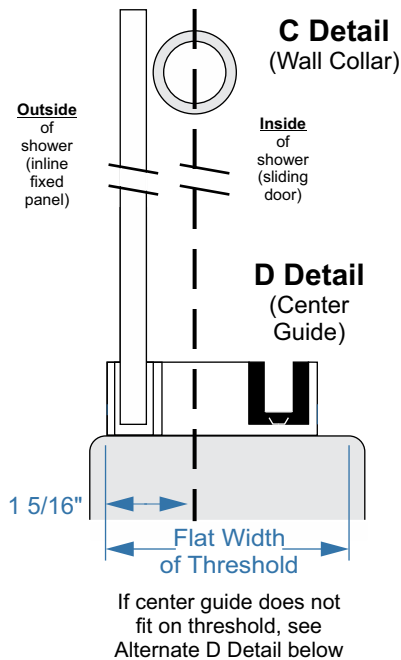
Overhanging Center Guide



Placement and Measuring Guide for TRSE180 or ECSE180 Bypass Sider

This flyer should be integrated with the TRSE180 and ECSE180 Installation Instruction MM.5004

Centerline of Unit



Threshold Centerline (A to B)

- The "flat width" of the threshold does not including rounded edges
 - Measure 1 5/16" front to back of the flat to locate the Centerline of the unit.
- Draw this line from A to B.

Vertical Centerline (A to C)

- Using a level, extend the Threshold Centerline vertically up both walls
- Note the Wall Collar is installed on this centerline (Detail D)

Center Guide (Detail D)

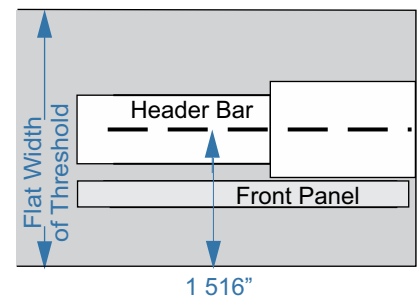
- The center guide will extend approximately 1 5/16" in front of the Threshold Centerline (A to B). This can deviate somewhat due to adjustments made during installation.

- **Alternate D Detail:** If the "flat" is less than approximately 2 3/4", the center guide may hang over the back. This is common for many molded shower pans. It can prohibit you from using a screw and anchor to secure the center guide. Use high quality VHB tape and silicone to secure the center guide as shown to the right. High strength 5 minute epoxy can be used to secure the black door silencer/guide into the base.

How to Measure:

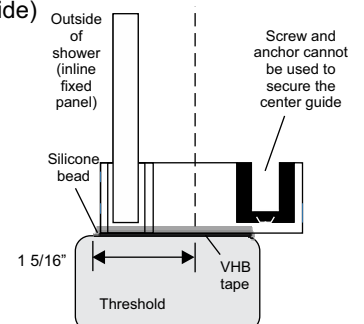
- To provide proper Front Opening dimension, measure from A to B. Use a level to check conditions. There should be no more than 1/4" deviation from A to B
- Return Panel dimension is B to E. There should be no more than 1/4" deviation from B to E
- Measure the desired or standard height of your unit along A to B.

B Detail (Top view of Wall Connection)



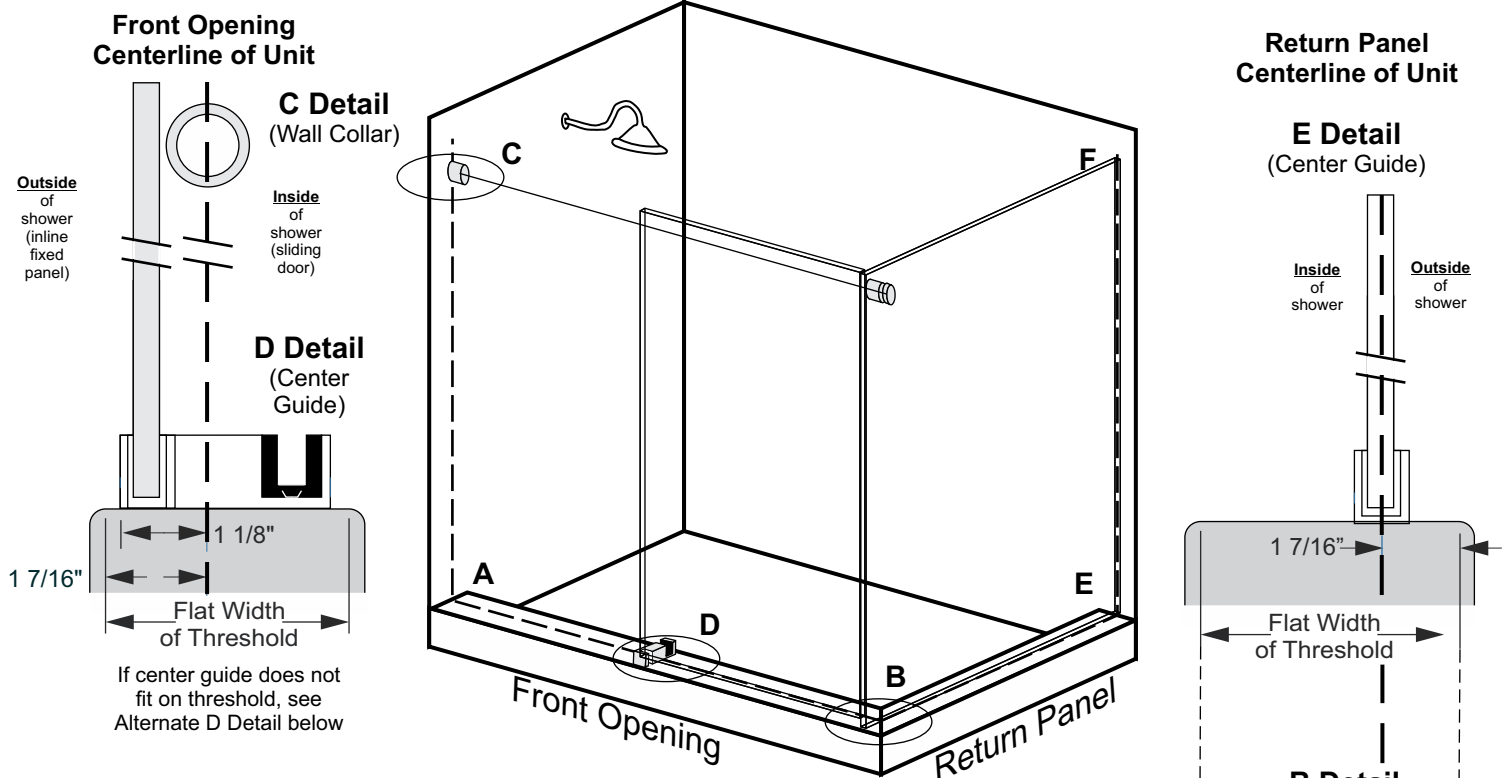
Alternate D Detail (Center Guide)

Overhanging Center Guide



Placement and Measuring Guide for TRSE290 or ECSE290 Bypass Sider

This flyer should be integrated with the TRSE290 and ECSE290 Installation Instruction MM.5005



Front Opening Centerline (A to B)

- The "flat width" of the threshold does not including rounded edges
- Measure 1 7/16" from the front start of the flat to locate the Front Opening Centerline of the unit. Draw this line from A to B.

Vertical Centerline (A to C)

- Using a level, extend the Front Opening Centerline vertically up the wall
- Note the Wall Collar is installed on this centerline (Detail C)

Center Guide (Detail D)

- The center guide will extend approximately 1 1/8" in front of the Front Opening Centerline (A to B). This can deviate somewhat due to adjustments made during installation.
- **Alternate D Detail:** If the "flat" is less than approximately 3 1/4", the center guide may hang over the back. This is common for many molded shower pans. It can prohibit you from using a screw and anchor to secure the center guide. Use high quality VHB tape and silicone to secure the center guide as shown to the right. High strength 5 minute epoxy can be used to secure the black door silencer/guide into the base.

Return Panel Centerline (B to E)

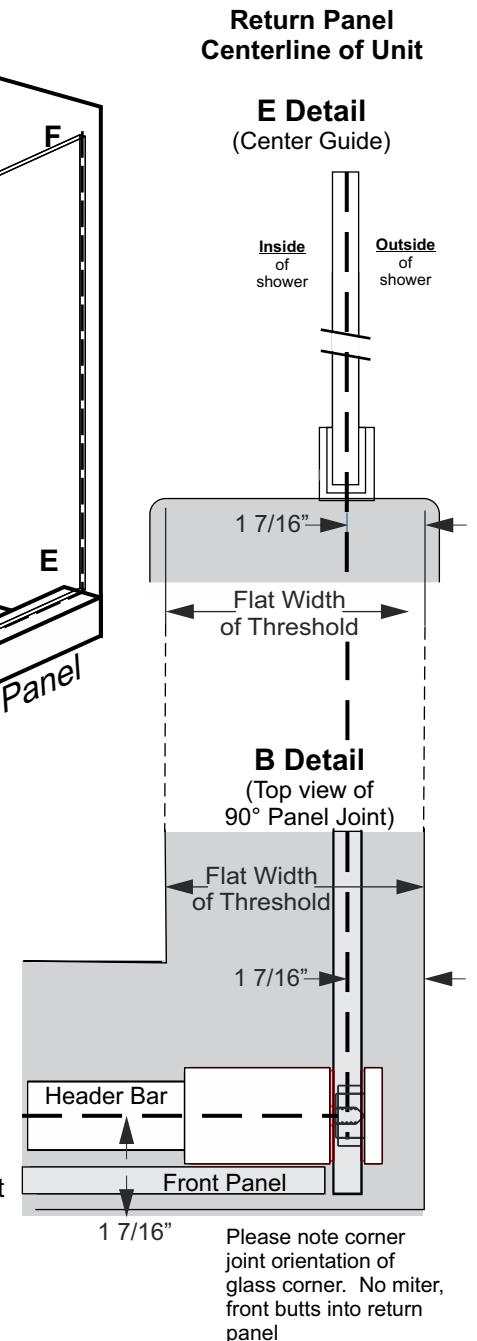
- Measure 1 7/16" from the front start of the flat to locate the Return Panel (RP) Centerline of the unit
- Extend line B to E the length of the Return Panel

Vertical Centerline (E to F)

- Using a level, extend the RP Centerline vertically up the wall
- Note the Wall Channel used to glaze glass panel will be centered on the centerline

How to Measure:

- To provide proper Front Opening dimension, measure from A to B. Use a level to check conditions. There should be no more than 1/4" deviation from A to B
- Return Panel dimension is B to E. There should be no more than 1/4" deviation from B to E
- Measure the desired or standard height of your unit along A to C and E to F



Alternate D Detail (Center Guide)

Overhanging Center Guide

