

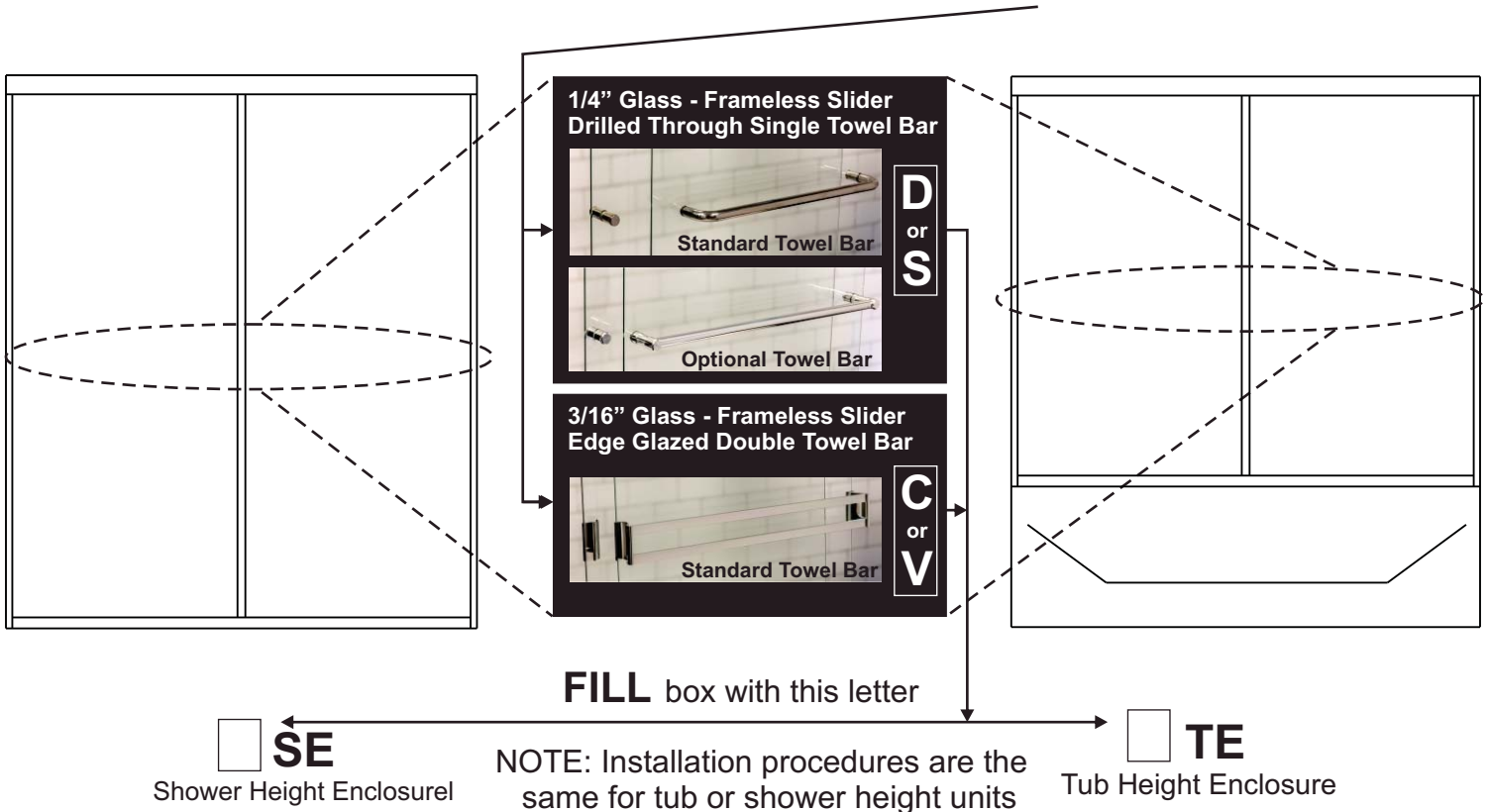
Installation Instructions for

1/4" Door Models: **SSE/STE or DSE/DTE**

3/16" Door Models: **VSE/VSE or CSE/CTE**

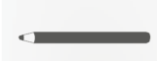
FIRST STEPS - Identify the model number of your unit.

- Look on the white shipping label on the outer cardboard box.
- **Model number** on label should correspond to one listed above.
- Or look below and identify by **towel bar type and glass thickness**



Required Tools

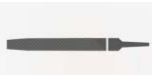
* Pencil or water soluble felt pen



* Hacksaw with 24 tooth blade



* Metal file (smooth sharp edges)



* Tape measure



* Clear 100% Silicone (recommended)



* #2 Phillips Screw driver



* 3/16" and 5/16" drill bit carbide for tile



* Caulking gun



* Drill, electric or battery



* 4 ft. Level



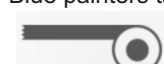
* Rubber mallet



* Razor knife



* Blue painters tape



Thank you for purchasing this outstanding product!
This booklet will help you install your units safely and successfully.

READ - Warnings and General Shower Door Information
on these pages before beginning installation



HEAVY



CAUTION

**SAFETY
WARNINGS:**



SHARP



GLASS FRAGILE

Follow instructions: Instructions must be read and followed carefully to reduce the risk of serious injury during and after installation. Any deviation from these instructions can create safety hazards.

General Safety Notes:

- **Tempered Glass:** All glass panels are safety tempered to conform to general building codes. The intent of tempering is to reduce the risk of injury. Be careful handling tempered glass. Pay special attention to protect all edges of the glass from contact with hard surfaces.
- **Exposed ends of aluminum** and other hard components can be rough, sharp or jagged due to the processes of cutting, drilling, notching, etc. Sharp ends must be deburred, smoothed or rounded by the installer before installation. Failure to do so could result in serious injury to installer and user of the enclosure.
- **Sliding and swinging glass doors** hitting any unprotected bathroom obstruction or metal or glass component of the shower door itself, may indicate improper installation and could lead to glass breakage or serious injury. The installer must correct the deficiencies before allowing the door to be used.
- **Towel Bars, handles and other accessories** are in no way considered to be grab bars or other bracing or fall prevention mechanisms. The intent of these accessories is to facilitate proper operations and esthetics of the unit.

Shower Door Facts

Shower Doors are Not Watertight:

Depending on the type of shower door selected, a properly designed and installed shower enclosures will protect areas outside of the enclosure from water damage under normal shower conditions to varying degrees. Excessive water pressure or directing the shower head or hand held sprays directly at doors or joints is not a normal shower conditions and can result a leak. The amount of water that can escape your shower varies by the type of shower as well. Heavy glass units with no or limited vinyl seals will allow water to escape under normal conditions. In general, the more metal and seals in the unit, the more water protection will be achieved.

Drilling holes in horizontal surfaces:

Drilling holes to anchor horizontal sills and curbs to thresholds and tub decks is discouraged. Using masking tape or double-sided tapes to secure non- load bearing components during installation (permanently secured later with silicone/caulking) is one technique to help minimize potential of water leaking underneath flooring. These instructions do not recommend drilling holes on horizontal surfaces for this reason.

Metal Finishes

- Anodized Aluminum:

The color of anodized Silver, Brushed Nickel, Satin Silver, Dark Bronze, and Gold anodized aluminum will vary between adjacent components because of variabilities within polishing, anodizing process and alloy composition. We make every effort to limit the variation; but, it is allowable and must be accepted.

- Electro Plated Brass and Stainless Steel:

The color of Silver, Brushed Nickel, Satin Silver, Oil Rubbed Bronze, Dark Bronze, and Gold electro plated components will also vary. This is allowable. Most of these finishes are also "living finishes", meaning, they may change, wear, weather, show patina, oxidize, etc. over the life of the product. This is allowable.

- Powder Coat:

This is a painting process and therefore can achieve the best color matching. Power coat paint, however, is less durable at joints of moving components and at edges that have been cut after the powder coat has cured. Some flaking or chipping in these areas are allowable.

- All Metal:

Any metal component (and glass components as well) will have limited scratches and pits. We make every effort to limit them; but, they are allowable and must be accepted.

Cleaning and Care:

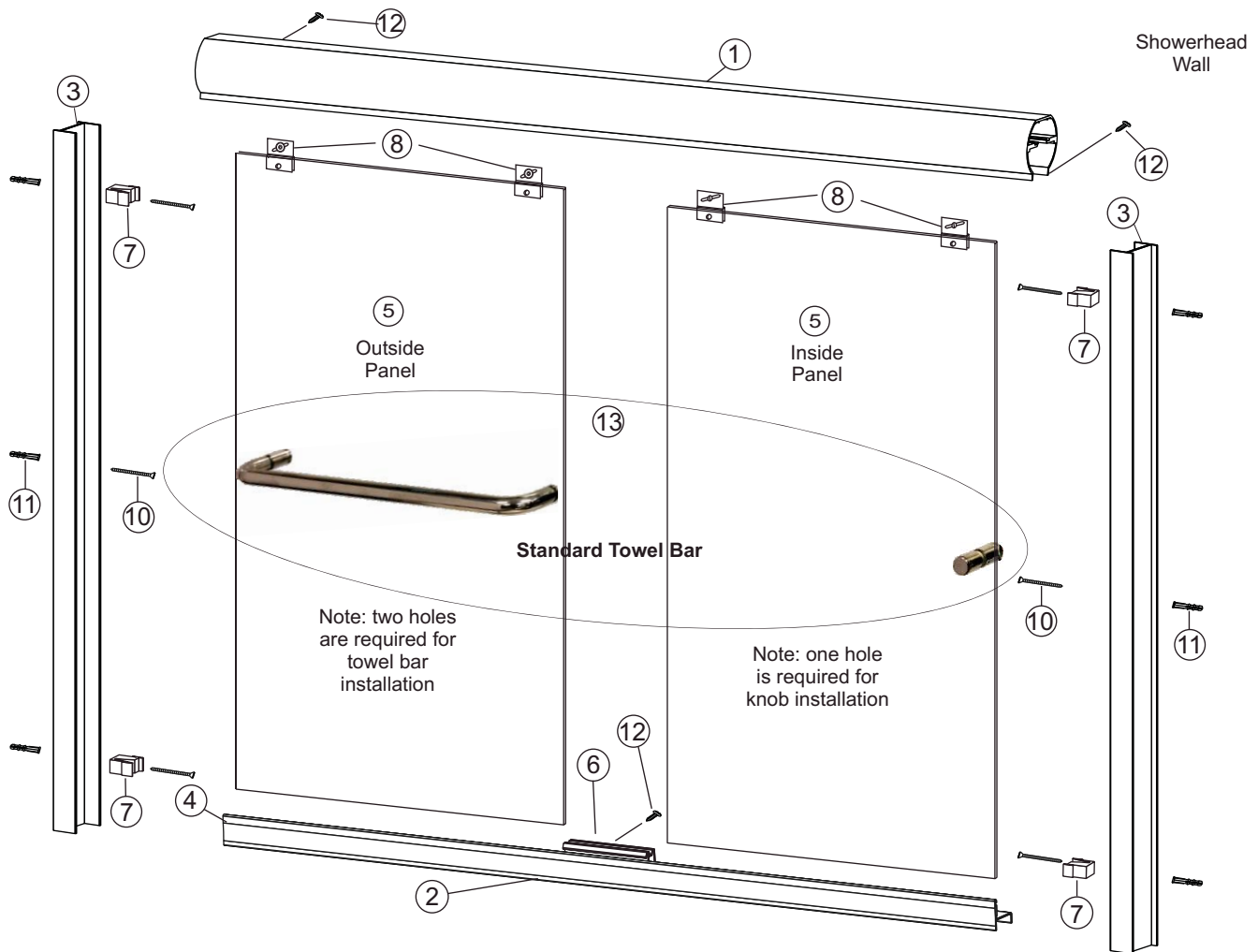
Refer to your owners manual for cleaning and care instructions.

Questions or Comments:

1-800-843-3332

Parts Diagram for DSE, DTE, SSE or STE

(Installation procedure is the same regardless of height of unit)

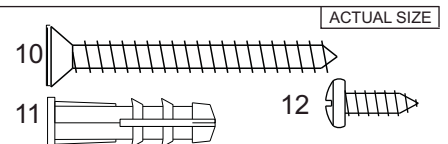


Parts List

Item	Part #	Description	QTY
1	EX.1049	Tub Header	1
2	EX.1062	Stay Clean Sill	1
3	EX.1051	Tub Jamb	2
4	VN.4032	TF-2B T-Fin	1
5		Sliding Glass Panel	2
6	BP.3541	AVG-3 Center Guide	1

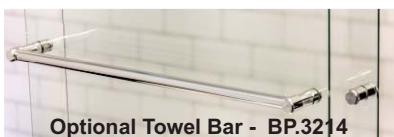
Item	Part #	Description	QTY
7	BP.3541	Bumper Guides	4
8	SP.2256	Hanger Bracket Assy	4
10	BP.3027	#8 x 1-1/2 FPHSMS	6
11	BP.3027	Wall Anchor	6
12	BP.3027	#6 x 3/8 PHPHSMS	3
13	HA.27XX	Towel Bar/Screw Kit	1

Item	Part #	Description	QTY
14	BP.3000	Anti jump Bag	1



Extra screws may be provided for your convenience

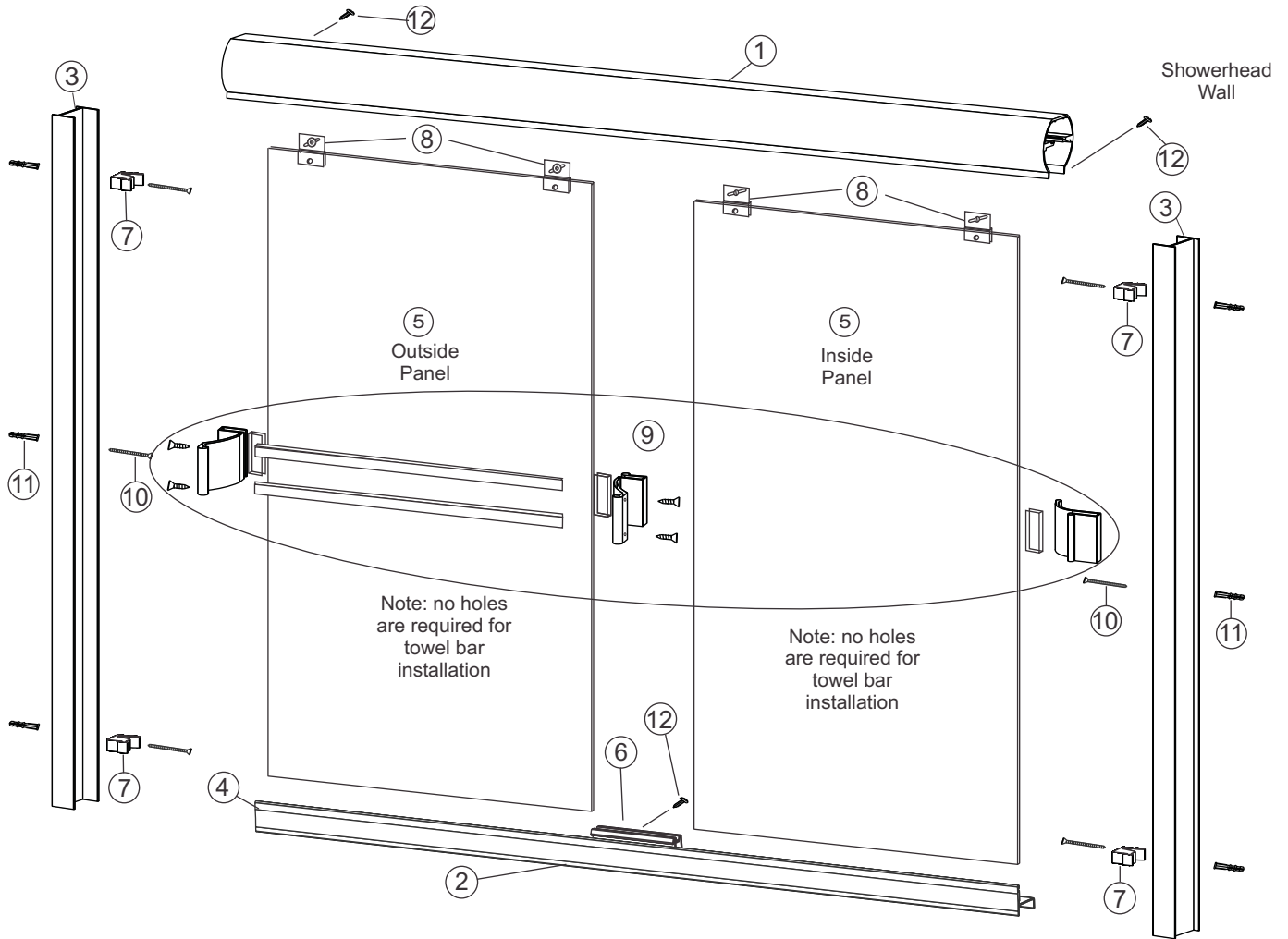
Optional Parts



Optional Towel Bar BP.3214 (at left) installation steps are on page XX

Parts Diagram for CSE, CTE, VSE or VTE

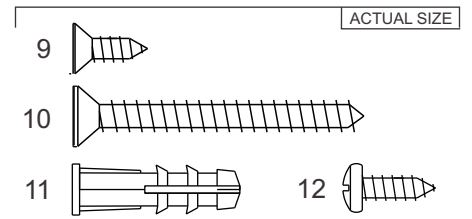
(Installation procedure is the same regardless of height of unit)



Parts List

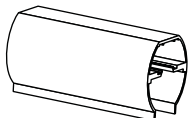
Item	Part #	Description	QTY
1	see below	Tub Header	1
2	EX.1062	Stay Clean Sill	1
3	EX.1051	Tub Jamb	2
4	VN.4032	TF-2B T-Fin	1
5		Sliding Glass Panel	2
6	BP.3541	AVG-3 Center Guide	1

Item	Part #	Description	QTY
7	BP.3541	Bumper Guides	4
8	SP.2254	Hanger Bracket Assy	4
9	BP.3344	Double Towel Bar	1
10	BP.3027	#8 x 1-1/2 FHPHMS	6
11	BP.3027	Wall Anchor	6
12	BP.3027	#6 x 3/8 PHPHMS	3



Extra screws may be provided for your convenience

Optional Parts



EX.1049 Tub Header (at left) is standard on CSE and CTE and optional on VSE and VTE



EX.1040 Tub Header (at left) is standard on VSE and VTE and optional on CSE and CTE

Installation Instructions

All Models

STEP 1 - CENTERLINE:

- Locate the centerline of the shower or tub rim and mark it with a water soluble marker
- Measure the wall to wall distance, 1/2" above the threshold to allow for any radius or obstructions in the corners
- Deduct 7/16" from this measurement and cut the Stay Clean Sill (2) to length

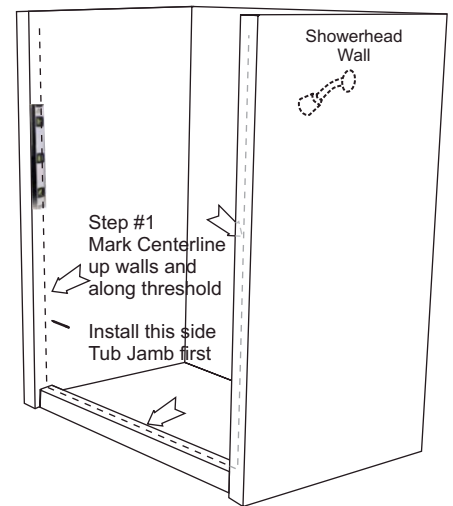
STEP 2 - STAY CLEAN SILL:

- Mark the center of the Stay Clean Sill (2) for the Center Guide (6).
- Use the Center Guide's (6) hole for a template and mark the location onto the sill. See illustration #2.
- Drill hole with a 1/8" drill bit.
- Do not attach the Center Guide (6) at this time.
- Install the T-Fin into the Stay Clean Sill (2) with the fin pointing down. Flush cut at the ends.
- Place the Stay Clean Sill (Item #2) directly over and parallel to the centerline. There will be a 3/16" between each end and the walls
- Hold sill in place with Painters tape.

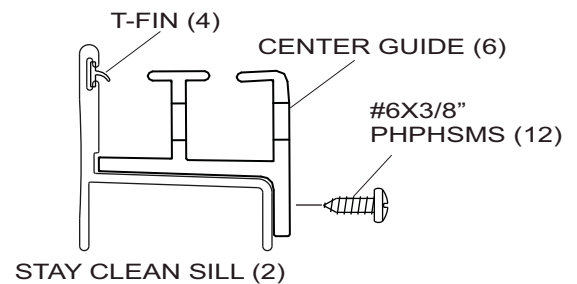
STEP 3 - TUB JAMBS and BUMPERS:

- The Tub Jamb (3) opposite the shower head wall is installed first
- Set Tub Jamb in gap between the Stay Clean Sill (2) and wall
- With a level, plumb the Tub Jamb (3). Mark only the bottom Tub Jamb hole location on the wall using the factory hole as a template. See illustration #3.
- Drill the hole with a 3/16" drill bit (carbide bit for masonry) and insert one Wall Anchors (11) into the tile
- Insert Bumper Guide (7) and 1 - #8x1-1/2" FHPHSMS (10) into bottom hole
- Orient Bumper Guide with panel crevice to outside (as shown to the right) and tighten screw until snug.
- Secure top of jamb to wall on both sides with painter's tape
- Position and plumb the second Tub Jamb onto the opposite wall
- Plumb with a level and mark all three holes
- Drill the holes with a 3/16" drill bit. Insert three Wall Anchor (11) and secure Tub Jamb with three #8 X 1-1/2" FHPHSMS (10) and 2 - Bumper Guides (7)
- Panel crevice of these bumper guides should be oriented inside of unit

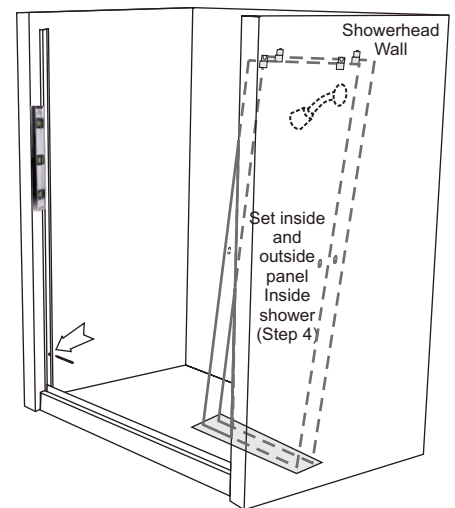
Centerline Detail



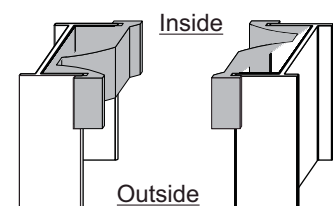
Sill Detail



Tub Jamb and Bumper Detail



Bumper Guide Orientation Detail for showerhead right →



Reverse above orientation for showerhead left

Installation Instructions

All Models

STEP 4 - TUB HEADER:

- Measure wall to wall at the top of the Tub Jamb
- Deduct 1/16" and cut Tub Header (1) to length. Test fit Header
- Drill a 1/8" hole at each end on the inside. Screw size is a #6x3/8" PHPHSMS (12)
-
- Find Parts Bag BP.3000.NTL - Anti-Jump Runners (14) and follow installation instructions

NOTE: Use of runners are encouraged, but optional, and must be ordered separately on some units

- Place inside glass panel (Knob Panel) inside the shower or tub stall. Ensure the rollers are facing the wall and knob hole is opposite the shower head. Lean against the back wall. Use pad to protect the glass/tile from damage. Also, place the outside panel, rollers facing out.
- Set header in place over the Tub Jamb but do not secure at this time.

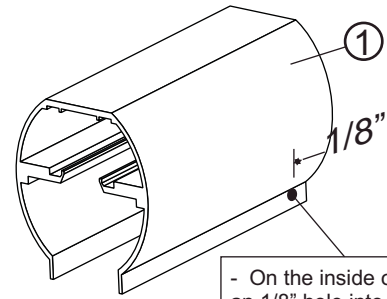
STEP 5- PANEL INSTALLATION:

- Make sure that the Tub Jamb opposite the showerhead (only one screw) is snug, and secured with painters tape
- Hang outside glass panel (Towel Bar Panel) in place inside the header and slide to showerhead wall (fully secured Tub Jamb)
- Install the inside panel and slide to wall opposite shower head
- Ensure rollers on both panels are fully seated into the header tracks
- Install the Center Guide (6) and securing it with one #6x3/8" MS (12).

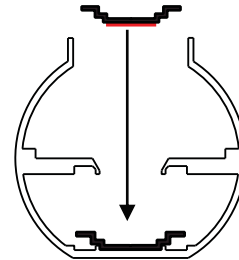
STEP 6 - TUB JAMB ADJUSTMENT and FASTENING:

- Standing outside the shower, move the sliding panels one at a time into the proper side of unit
- Adjust the header side to side (you will have to remove and reapply painter's tape) until both panels pocket perfectly into both Tub Jamb
- Mark the remaining two holes of the Tub Jamb onto the wall opposite the showerhead
- Slide both panels back to the showerhead Tub Jamb. Remove the Center Guide
- Remove both sliding panels and set them in a safe place on a padded surface
- Rotate the Tub Jamb out of the way just far enough to reveal the marked holes and drill the holes with a 3/16" drill bit
- Insert two Wall Anchors (11)
- Re-align Tub Jamb and secure with two #8 X 1-1/2" FHPHSMS (10). install the top Bumper Guide (7) with the top screw
- Reinstall both of the sliding glass panels as you did earlier in the last step, then reinstall the Center Guide

Tub Header Detail

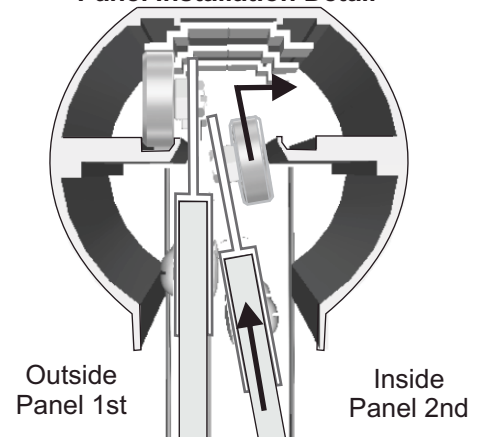


- On the inside of header drill an 1/8" hole into Tub Header (Item #1) 1/8" from end
- Repeat on other end

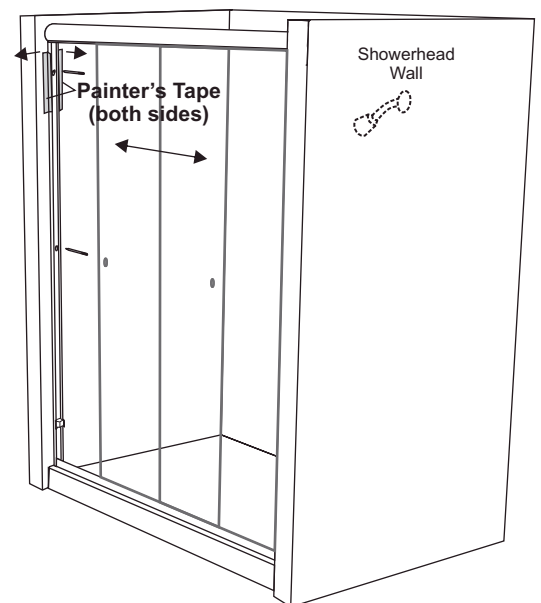


Anti Jump Runner w/ Red Tape installed in EX.1049 Tub Header (same procedure for EX.1040)

Panel Installation Detail



Tub Jamb Adjustment and Fastening Detail



Installation Instructions

All Models

STEP 7 - TOWEL BAR INSTALLATION

See page 8 or refer to the installation instructions provided with your towel bar kit

STEP 8 - PANEL ADJUSTMENT:

- To adjust the sliding panels for out-of-square wall conditions or to level them, etc., locate the hex nuts in the Hanger Brackets (8) and the Adjustment Wrench provided in the parts kit.

NOTE: The panels can be adjusted while still hanging in the header.

- Loosen the hex nut with the special wrench until roller can slide along the angled slot on the Hanger Bracket (8)
- Raise or lower each side of the panel by sliding the roller along the angled slot until desired adjustment is achieved
- Be sure to re-tighten the screws.

STEP 9 - HEADER ATTACHMENTS:

- Secure the Header to the Tub Jamb by drilling through the holes in the header, from the inside of the shower, into the Tub Jamb with a 1/8" drill bit.
- Secure with two #6 X 3/8" PHPHMS (Item #12) as shown in illustration #8.



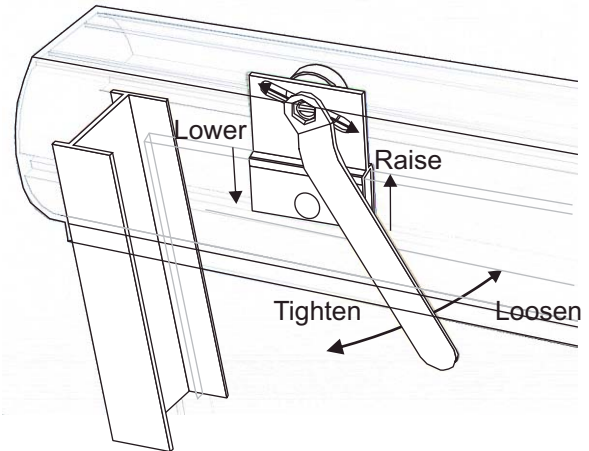
SAFETY WARNING:

Improper screw placement during STEP 9 could cause damage to the glass.

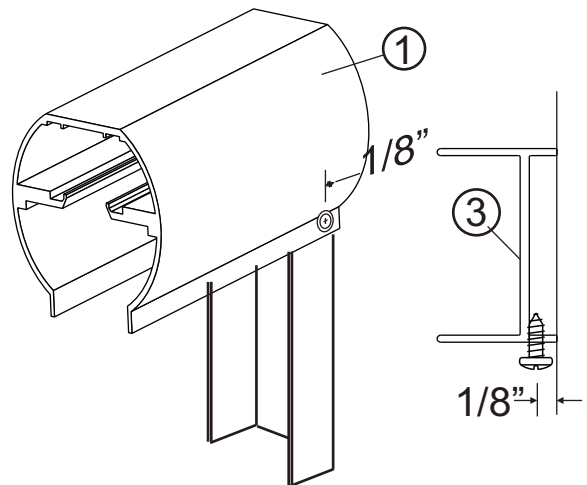
STEP 10 - SEALANT:

- Remove all Painter's Tape used during the installation
- Starting at the top of a tub jamb, apply a bead of sealant along the entire outside of the enclosure where it meets the wall and base. End at the top of opposite tub jamb
- Additional sealant is needed at the bottom corners where the Tub Jamb meet the Stay Clean Sill:
 - Starting from the outside caulk the vertical joint between the tub jamb and sill.
 - Move inside the shower and continue to caulk this joint until you finish the run where the vertical joint meetings the threshold on the inside.
 - These joints must be totally sealed for a leak proof and structurally secure installation.
- NOTE:** For optimum results allow the sealant to dry for 24 hours before running the shower.

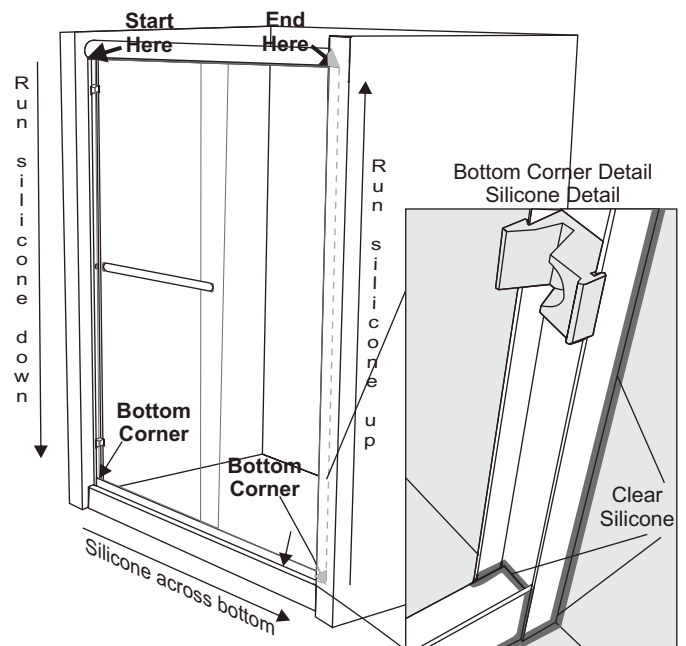
Panel Adjustment Detail



Header Attachment Detail



Sealant Detail

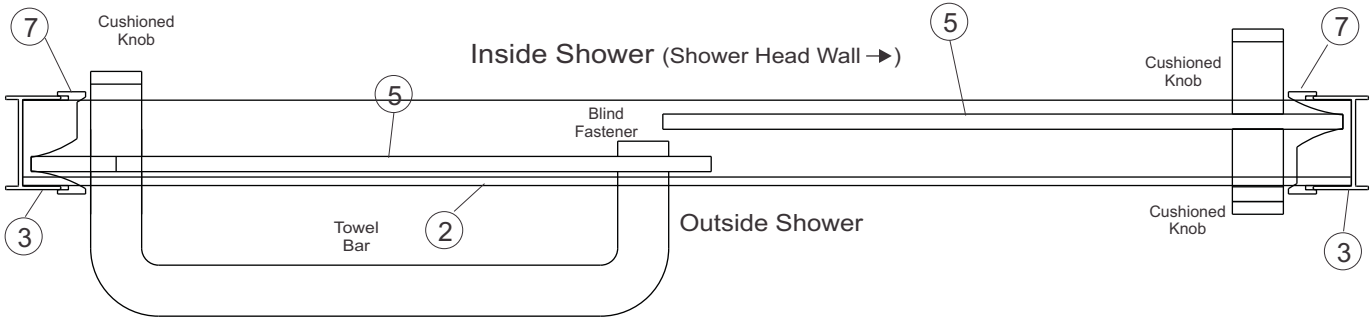


Towel Bar Installation

(Installation Instructions should also be inside the towel bar kits)

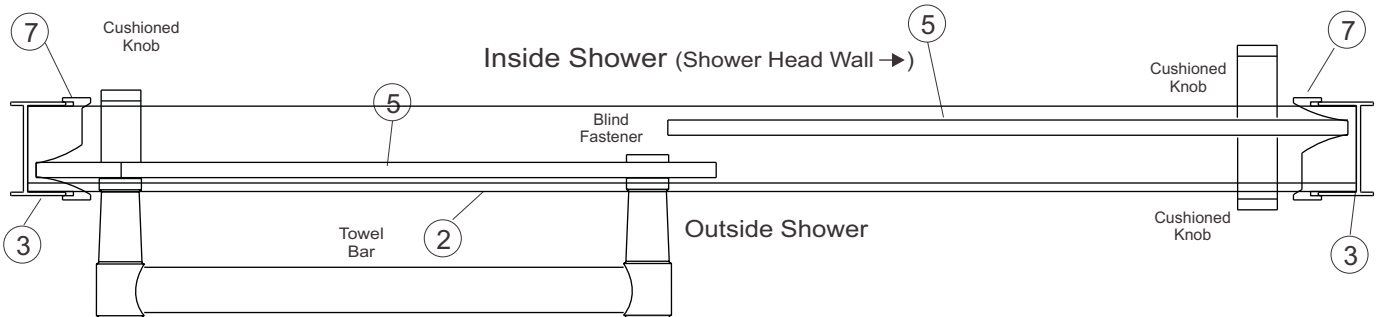
STEP 7 - DSE/DTE or SSE/STE w/ Standard Towel Bar (BP.27XX, XX = length)

- Refer to instructions provided with towel bar or use this general configuration below



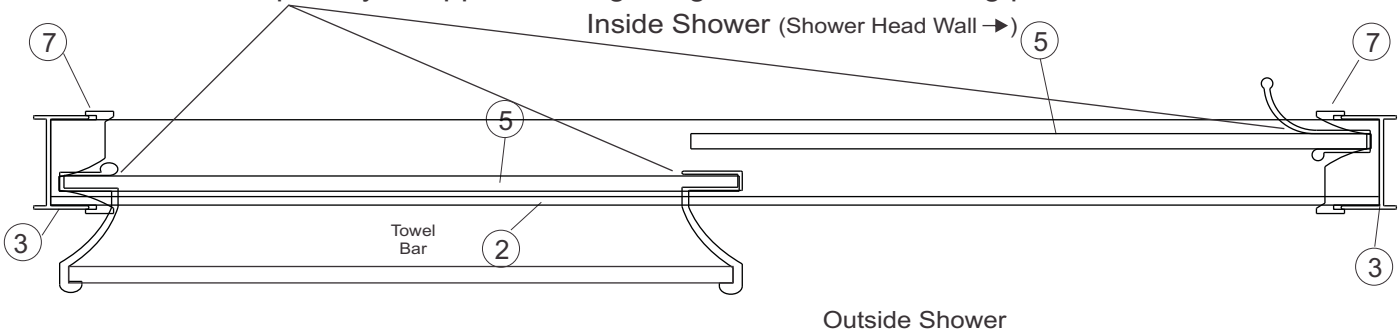
STEP 7 - DSE/DTE or SSE/STE w/ Optional Towel Bar (BP.3214)

- Refer to instructions provided with towel bar or use this general configuration below



STEP 7 - CSE/CTE or VSE/VTE w/ Standard Double Towel Bar (BP.3344)

- Refer to instructions provided with towel bar or use this general configuration below
- NOTE: "U" shape vinyl is applied to edge of glass before attaching pull and brackets



Thank you for choosing this great product!

Please refer to your Owner's Manual for Warranty Registration
and Cleaning and Care Instructions

Questions or Comments:

1-800-843-3332