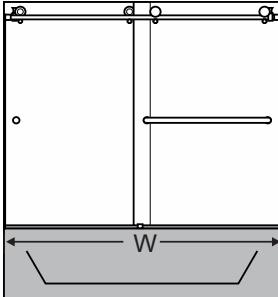



Features	 <p style="text-align: center;">ECBTE</p>	Includes
<ul style="list-style-type: none"> • Available in 3/8" glass only • Tub jamb system • Soft Sill threshold • Max door width is 60" • Clear-Poly vertical fin between sliding panels • Backed by an industry-leading Lifetime Warranty 		<p style="text-align: center;">Roller / Anti-Jump Jamb System (1,5)</p> 

<p>Height (H) Range: 56" - 65 7/16" <i>Standard and custom heights available</i></p> <p>Width (W) Range: 56"-60" <i>Standard and custom widths available</i></p>	GLASS OPTIONS (3)	FINISH OPTIONS																	
	<table border="0"> <tr> <td>Clear</td> <td>Gluechip</td> </tr> <tr> <td>Rain</td> <td>Satin Etch</td> </tr> <tr> <td>Obscure</td> <td>Ultra Clear</td> </tr> <tr> <td>Gray</td> <td>Barock</td> </tr> <tr> <td>Bronze</td> <td>Esto</td> </tr> <tr> <td>Velvex</td> <td>Aqui</td> </tr> <tr> <td>Bubbles</td> <td>Etre</td> </tr> </table> <p style="text-align: center;"><u>EASY CLEAN GLASS (4)</u></p> <p><i>EasyClean¹⁰</i> (9) ShowerGuard (10) HydroShield (11)</p>	Clear	Gluechip	Rain	Satin Etch	Obscure	Ultra Clear	Gray	Barock	Bronze	Esto	Velvex	Aqui	Bubbles	Etre	<p style="text-align: center;">Standard</p> <hr/> <table border="0"> <tr> <td>Chrome (6)</td> <td>Brushed Nickel (7)</td> </tr> <tr> <td>Oil Rubbed Bronze (6)</td> <td>Matte Black (8)</td> </tr> </table> <p style="text-align: center;"><i>Special order finishes are available.</i></p>	Chrome (6)	Brushed Nickel (7)	Oil Rubbed Bronze (6)
Clear	Gluechip																		
Rain	Satin Etch																		
Obscure	Ultra Clear																		
Gray	Barock																		
Bronze	Esto																		
Velvex	Aqui																		
Bubbles	Etre																		
Chrome (6)	Brushed Nickel (7)																		
Oil Rubbed Bronze (6)	Matte Black (8)																		
<p><small>(1,2) See below section 4.A., (3) See below section 1.A., (4,9,10) See below section 4.C., (5,6,7,8) See below section 4.B.</small></p>																			

Tech Notes

- Towel bar is opposite the showerhead. Specify showerhead side when ordering.
- Doors can be adjusted down in width 2" (example: 58" door can fit down to a 56" opening with 3" of panel overlap)
- Unobstructed open door = width (W) - Std Door Size/2 - 2"

- 1. Quality Assurance**
- A. Glass door(s) and sidelite(s) use tempered safety glass (see "Features" section for glass thicknesses) and are provided in compliance with ANSI Z.97.1 - 2004, CPSC 16 CFR 1201 Cat. 1 & 2, and ASTM C 1048.
- 2. Proper Use and Safety**
- A. For best results, refrain from drilling holes in horizontal surfaces to secure curbs and sills.
 B. Towel bars, handles and other accessories are in no way considered to be grab bars or other bracing mechanisms.
 C. Exposed ends of aluminum and other hard components can be rough, sharp or jagged due to the process of cutting, drilling, notching, etc. Sharp ends must be deburred, smoothed or rounded by the installer before installation.
- 3. Warranty**
- A. Backed by an industry-leading Lifetime Warranty for glass, aluminum and general hardware and 5 Year Warranty on heavy glass hardware (find specific warranty information online at www.holcam.com).
- 4. Product / Installation**
- A. Hardware components and framework are made from 6463 T5 Aluminum Alloy (2), 304 Stainless Steel (1), or Brass (1).
 B. Metal finish processes include plating (5), Brite Dip anodizing (AAMA 611: AA-M21C31A21 Brite Silver, AA-M21C31A23 Brite Gold, AA-M35C11A23 Brushed Nickel, AA-M10C22A31 Satin Silver, AA-M10C22A23 Satin Gold, AA-M10C22A34 Oil Rubbed Bronze) (6), mechanical brushing (7) or powder coating (AAMA 2603) (8).
 C. Easy Clean glass refers to a 5 year coating (11), a 10 year coating (TÜV Rheinland Certified) (9) and a permanent glass type (10) that protects the glass against dirt and grime, reducing the effort required to maintain its cleanliness.
 D. Installer shall comply with manufacturer's installation instructions and approved shop drawings.
 E. Prior to installation, verify that surfaces are clean and free of foreign matter that could compromise the watertight bond of unit to surface.