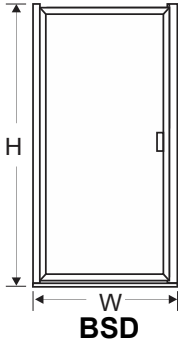



Features		Includes
<ul style="list-style-type: none"> <li>• 3/16" Framed Door</li> <li>• Continuous Hinge</li> <li>• Continuous Magnetic Catch</li> <li>• Low Profile Clamped Handle</li> <li>• Clear-Poly Drip and Sweep</li> <li>• Expands 15/16" from ordered width</li> <li>• Backed by an industry-leading Lifetime Warranty</li> </ul>		 <b>Handle / Full Height Framed Magnetic Latch (2,6,7,8)</b>

<p><b>Height (H) Range:</b> 63 3/4" - 88 1/4" <i>Standard and custom heights available</i></p> <p><b>Width (W) Range:</b> 22" - 35 15/16" <i>Standard and custom widths available</i></p>	<table border="1"> <thead> <tr> <th colspan="2" data-bbox="506 506 963 590">GLASS OPTIONS (3)</th> </tr> </thead> <tbody> <tr> <td data-bbox="506 590 800 800">                     Clear                      Rain                      Obscure                      Gray                      Bronze                      Velvex                 </td> <td data-bbox="800 590 1036 800">                     Gluechip                      Satin Etch                      Bamboo                 </td> </tr> <tr> <th colspan="2" data-bbox="506 800 1036 842">EASY CLEAN GLASS (4)</th> </tr> <tr> <td data-bbox="506 842 800 953">                     EasyClean<sup>10</sup> (9)                      HydroShield (11)                 </td> <td data-bbox="800 842 1036 953">                     ShowerGuard (10)                 </td> </tr> </tbody> </table>	GLASS OPTIONS (3)		Clear Rain Obscure Gray Bronze Velvex	Gluechip Satin Etch Bamboo	EASY CLEAN GLASS (4)		EasyClean <sup>10</sup> (9) HydroShield (11)	ShowerGuard (10)	<table border="1"> <thead> <tr> <th colspan="2" data-bbox="1036 506 1575 590">FINISH OPTIONS</th> </tr> <tr> <th colspan="2" data-bbox="1036 590 1575 632">Standard</th> </tr> </thead> <tbody> <tr> <td data-bbox="1036 632 1287 779">                     Chrome (6)                      Oil Rubbed Bronze (8)                      Brushed Nickel (7)                      Gold (6)                      Satin Silver (6)                 </td> <td data-bbox="1287 632 1575 779">                     Matte Black (8)                      Gloss Black (8)                      White (8)                      Almond (8)                 </td> </tr> <tr> <td colspan="2" data-bbox="1036 779 1575 953"> <i>Special order finishes are available.</i> </td> </tr> </tbody> </table>	FINISH OPTIONS		Standard		Chrome (6) Oil Rubbed Bronze (8) Brushed Nickel (7) Gold (6) Satin Silver (6)	Matte Black (8) Gloss Black (8) White (8) Almond (8)	<i>Special order finishes are available.</i>	
GLASS OPTIONS (3)																		
Clear Rain Obscure Gray Bronze Velvex	Gluechip Satin Etch Bamboo																	
EASY CLEAN GLASS (4)																		
EasyClean <sup>10</sup> (9) HydroShield (11)	ShowerGuard (10)																	
FINISH OPTIONS																		
Standard																		
Chrome (6) Oil Rubbed Bronze (8) Brushed Nickel (7) Gold (6) Satin Silver (6)	Matte Black (8) Gloss Black (8) White (8) Almond (8)																	
<i>Special order finishes are available.</i>																		
<p><i>(1,2) See below section 4.A., (3) See below section 1.A., (4,9,10) See below section 4.C., (5,6,7,8) See below section 4.B.</i></p>																		

**Tech Notes**

- Door can hinge off left wall or right. Specify when ordering.
- Unobstructed opening is door size - 3 3/8" - jamb expansion
- **Expansion Jamb:** used with standard doors allows the same width glass to be used to cover the 2" width gap
  - Standard jambs expand **0-15/16"** (EX: **30"** standard door ships with standard jambs if **30 3/8"** opening is specified)
  - "X" jambs expand **1" - 1 15/16"** (EX: **30"** standard door ships with "X" jambs if **31 1/2"** opening is specified, will be tight at 31")

- 1. Quality Assurance**

A. Glass door(s) and sidelite(s) use tempered safety glass (see "Features" section for glass thicknesses) and are provided in compliance with ANSI Z.97.1 - 2004, CPSC 16 CFR 1201 Cat. 1 & 2, and ASTM C 1048.
- 2. Proper Use and Safety**

A. For best results, refrain from drilling holes in horizontal surfaces to secure curbs and sills.

B. Towel bars, handles and other accessories are in no way considered to be grab bars or other bracing mechanisms.

C. Exposed ends of aluminum and other hard components can be rough, sharp or jagged due to the process of cutting, drilling, notching, etc. Sharp ends must be deburred, smoothed or rounded by the installer before installation.
- 3. Warranty**

A. Backed by an industry-leading Lifetime Warranty for glass, aluminum and general hardware and 5 Year Warranty on heavy glass hardware (find specific warranty information online at www.holcam.com).
- 4. Product / Installation**

A. Hardware components and framework are made from 6463 T5 Aluminum Alloy (2), 304 Stainless Steel (1), or Brass (1).

B. Metal finish processes include plating (5), Brite Dip anodizing (AAMA 611: AA-M21C31A21 Brite Silver, AA-M21C31A23 Brite Gold, AA-M35C11A23 Brushed Nickel, AA-M10C22A31 Satin Silver, AA-M10C22A23 Satin Gold, AA-M10C22A34 Oil Rubbed Bronze) (6), mechanical brushing (7) or powder coating (AAMA 2603) (8).

C. Easy Clean glass refers to a 5 year coating (11), a 10 year coating (TÜV Rheinland Certified) (9) and a permanent glass type (10) that protects the glass against dirt and grime, reducing the effort required to maintain its cleanliness.

D. Installer shall comply with manufacturer's installation instructions and approved shop drawings.

E. Prior to installation, verify that surfaces are clean and free of foreign matter that could compromise the watertight bond of unit to surface.