

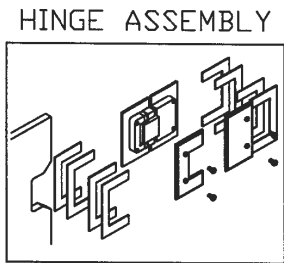
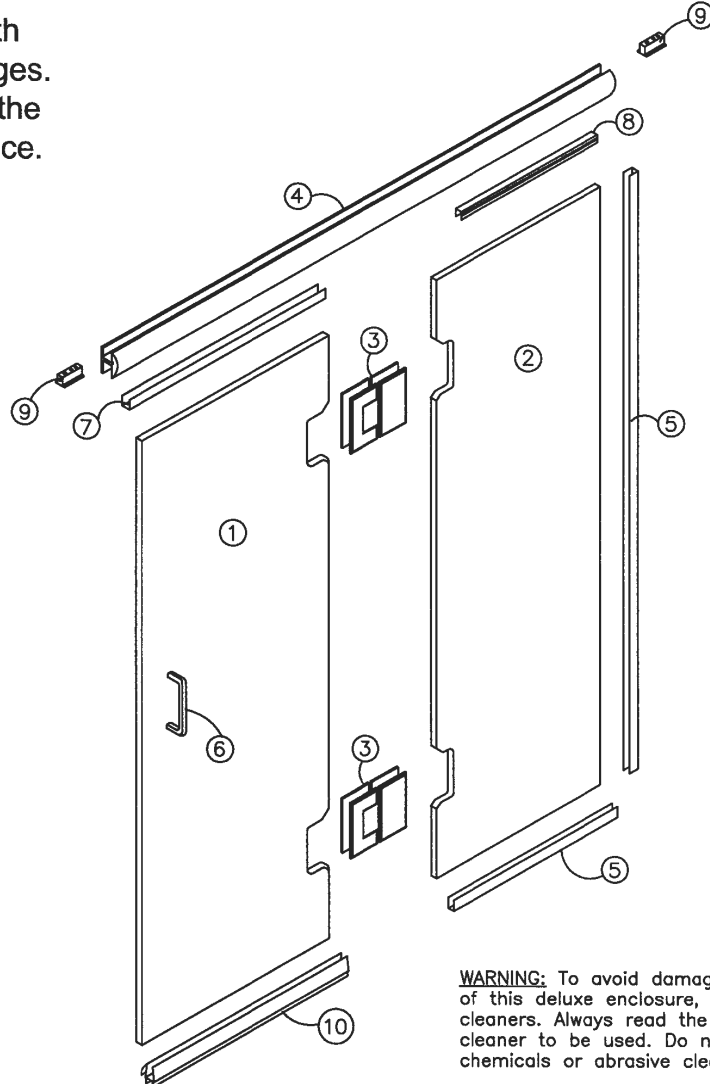
Installation Instruction

HLSD180 (1/2-in), ELSD180 (3/8-in) or QLSD180 (1/4-in)

WITH HEADER AND DOOR HINGES OFF PANEL

WE RECOMMEND TWO PERSON INSTALLATION.

Warning: When working with glass always protect the edges. Do not set glass directly on the floor or any other hard surface.



* PLEASE NOTE: Before beginning the installation, read the instructions and check that the parts contained in the carton and hardware package match those parts listed below. If you should find any discrepancies please contact HOLCAM SALES at 800-843-3332

WARNING: To avoid damage to the finish of this deluxe enclosure, use only mild cleaners. Always read the label on the cleaner to be used. Do not use harsh chemicals or abrasive cleaners.

TOOLS REQUIRED




1. Tube of approved bathroom silicone sealant
2. 5/32" allenhead wrench
3. Philips head screwdriver
4. Wood Blocks
5. Drill motor w/ (9/64" & 1/4" drill bits)
6. Painters masking tape
7. Hacksaw
8. Level
9. Mill File

REV 12/2010

PARTS LIST

1. Glass door
2. Glass panel
3. Two Eurolite hinge assemblies w/ required rubber shims
4. Header
5. U-channel
6. Handle
7. Crown Filler
8. Glazing Vinyl
9. Header Mounting Brackets
10. Vinyl Sweep

ASSEMBLY HARDWARE

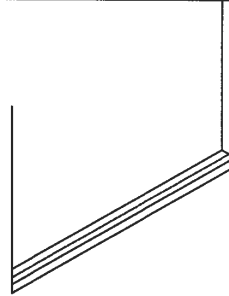
ITEM	NAME	QTY.
1.	 #8X1-1/2" Screws	8
2.	 Plastic Anchor	8
3.	 3/8" U-Channel	2
4.	Adjusting Blocks	4

Installation Instruction

HLSD180 (1/2-in), ELSD180 (3/8-in) or QLSD180 (1/4-in)

WITH HEADER AND DOOR HINGES OFF PANEL

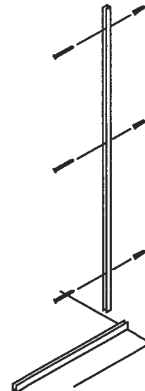
1. MARK CENTERLINE OF SILL LIGHTLY IN PENCIL.



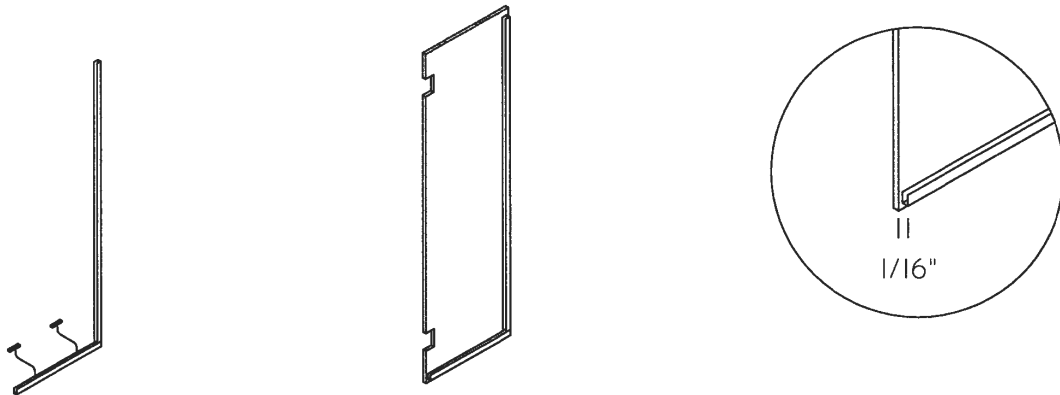
2. POSITION BOTTOM CHANNEL CENTERED ON SILL, BUTTED UP TO WALL. MARK HOLE LOCATIONS. DRILL 3/16" HOLES AND INSERT THE PLASTIC ANCHORS. PLACE A DAB OF SILICONE IN ANCHORS AND SECURE CHANNEL TO SILL WITH # 8X1-1/2" SCREWS.



3. POSITION WALL CHANNEL CENTERED ON THE PENCIL MARK. PLUMB AND MARK HOLE LOCATIONS. DRILL 3/16" HOLES AND INSERT THE PLASTIC ANCHORS. SECURE CHANNEL TO WALL WITH # 8X1-1/2" SCREWS.



4. PLACE SETTING BLOCKS INSIDE BOTTOM U-CHANNEL. TEST FIT PANEL GLASS, ADD OR SUBTRACT SETTING BLOCKS UNTIL PANEL GLASS SITS 3/8" ABOVE THE TOP OF THE WALL CHANNEL. THE GLASS SHOULD BE OUT OF THE END OF THE BOTTOM CHANNEL 1/16".



Installation Instruction

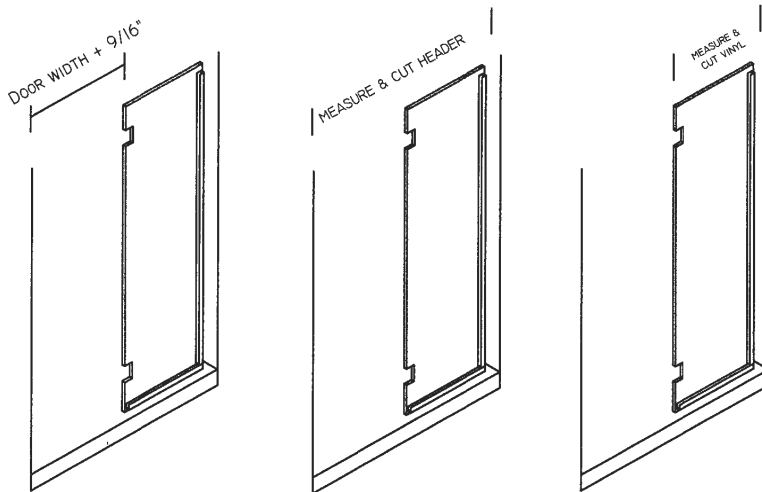
HLSD180 (1/2-in), ELSD180 (3/8-in) or QLSD180 (1/4-in)

WITH HEADER AND DOOR HINGES OFF PANEL

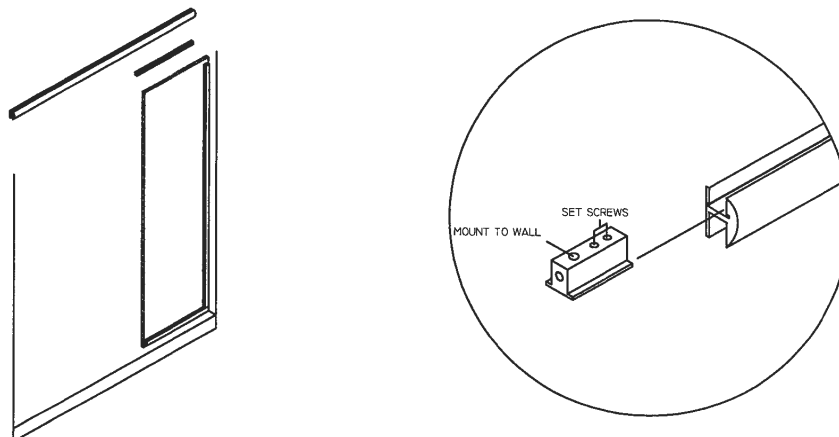
5. CHECK OPENING FOR DOOR. THE OPENING SHOULD BE THE WIDTH OF THE DOOR GLASS PLUS 3/8". ADJUST PANEL AS NECESSARY TO OBTAIN THE CORRECT OPENING SIZE.

MEASURE WALL TO WALL AT THE TOP OF UNIT. SUBTRACT 1/16" FROM MEASUREMENT AND CUT THE HEADER TO SIZE.

MEASURE WIDTH AT THE TOP OF THE PANEL GLASS. CUT THE GLAZING VINYL TO SIZE.



6. SLIDE THE MOUNTING BRACKETS INTO THE TOP CHANNEL OF THE HEADER. USING SOME SHORT LENGTHS OF GLAZING VINYL TO PAD THE EDGE OF THE PANEL GLASS, POSITION THE HEADER ON TOP OF THE PANEL AND PUSH DOWN INTO PLACE. SLIDE THE MOUNTING BRACKETS TO THE END OF THE HEADER. MAKE SURE HEADER IS LEVEL. MARK THE MOUNTING HOLE LOCATIONS. REMOVE THE HEADER AND DRILL 3/16" HOLES. INSERT PLASTIC ANCHORS AND REINSTALL THE HEADER USING THE FULL SIZE PIECES OF GLAZING VINYL. SECURE THE MOUNTING BRACKETS TO THE WALL USING #8X1-1/2" SCREWS. TIGHTEN SET SCREWS.

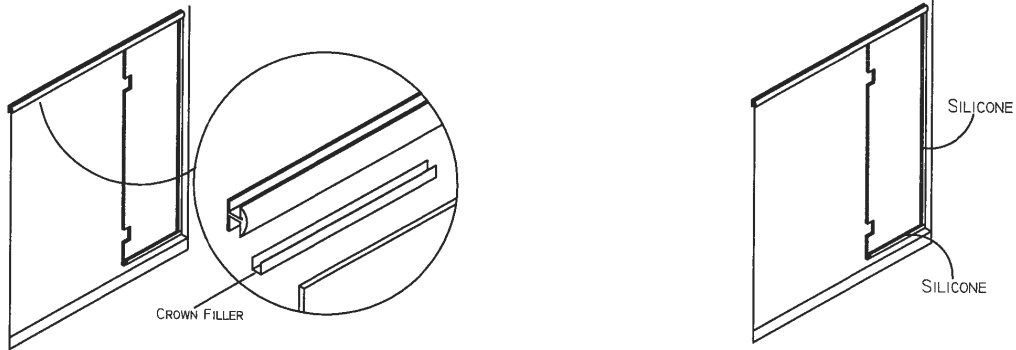


Installation Instruction

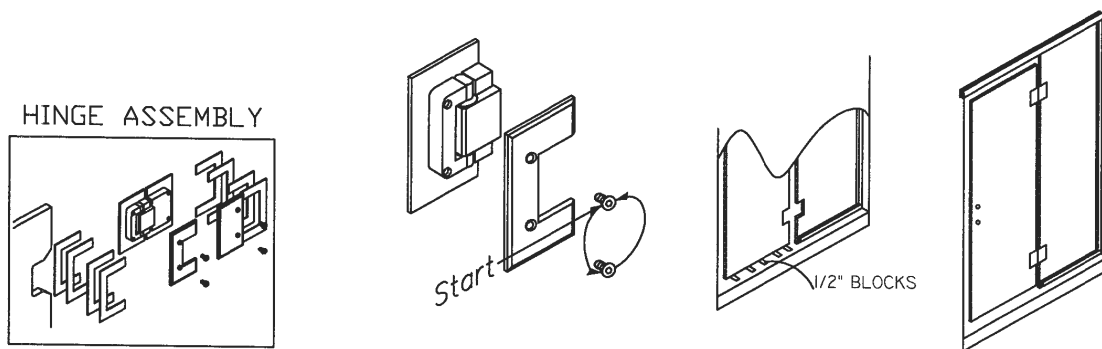
HLSD180 (1/2-in), ELSD180 (3/8-in) or QLSD180 (1/4-in)

WITH HEADER AND DOOR HINGES OFF PANEL

7. DOUBLE CHECK THAT THE SPACING FOR THE DOOR IS CORRECT. THE OPENING SHOULD EQUAL THE DOOR WIDTH PLUS 3/8". ADJUST AS NECESSARY. MEASURE BETWEEN THE PANEL AND THE WALL AT THE BOTTOM OF THE HEADER. CUT THE CROWN FILLER TO SIZE AND SNAP INTO THE HEADER..
RUN A CONTINUOUS BEAD OF SILICONE ON BOTH SIDES OF THE STATIONARY PANELS WHERE THE GLASS AND U-CHANNEL MEET. ALLOW A MINIMUM OF TWENTY FOUR HOURS CURING TIME BEFORE INSTALLING THE DOOR.



8. PLACE 1/2" BLOCKS ALONG SILL TO SET DOOR GLASS ON. INSTALL TWO RUBBER GASKETS ON EACH HINGE. (USE 2 GASKETS PER SIDE FOR 3/8" GLASS, ONE GASKET PER SIDE FOR 1/2" GLASS) POSITION NOTCH IN GLASS INTO HINGE. INSTALL TWO REMAINING RUBBER GASKETS AND THE BACK PLATE OF THE HINGE WITH THE HEX HEAD SET SCREWS. ADJUST GLASS PANELS TO HAVE 3/16" SPACING BETWEEN THEM. PLUMB GLASS AND TIGHTEN SET SCREWS IN SEQUENCE SHOWN. REMOVE SHIMS AND CHECK DOOR FOR PROPER OPERATION.



9. INSTALL HANDLE ASSEMBLY THROUGH HOLES IN DOOR GLASS USING PLASTIC SHIMS AND BUSHINGS. MEASURE THE WIDTH OF THE DOOR GLASS AT THE BOTTOM. CUT DOOR VINYL SWEEP TO SIZE AND INSTALL ON THE BOTTOM EDGE OF THE DOOR.

