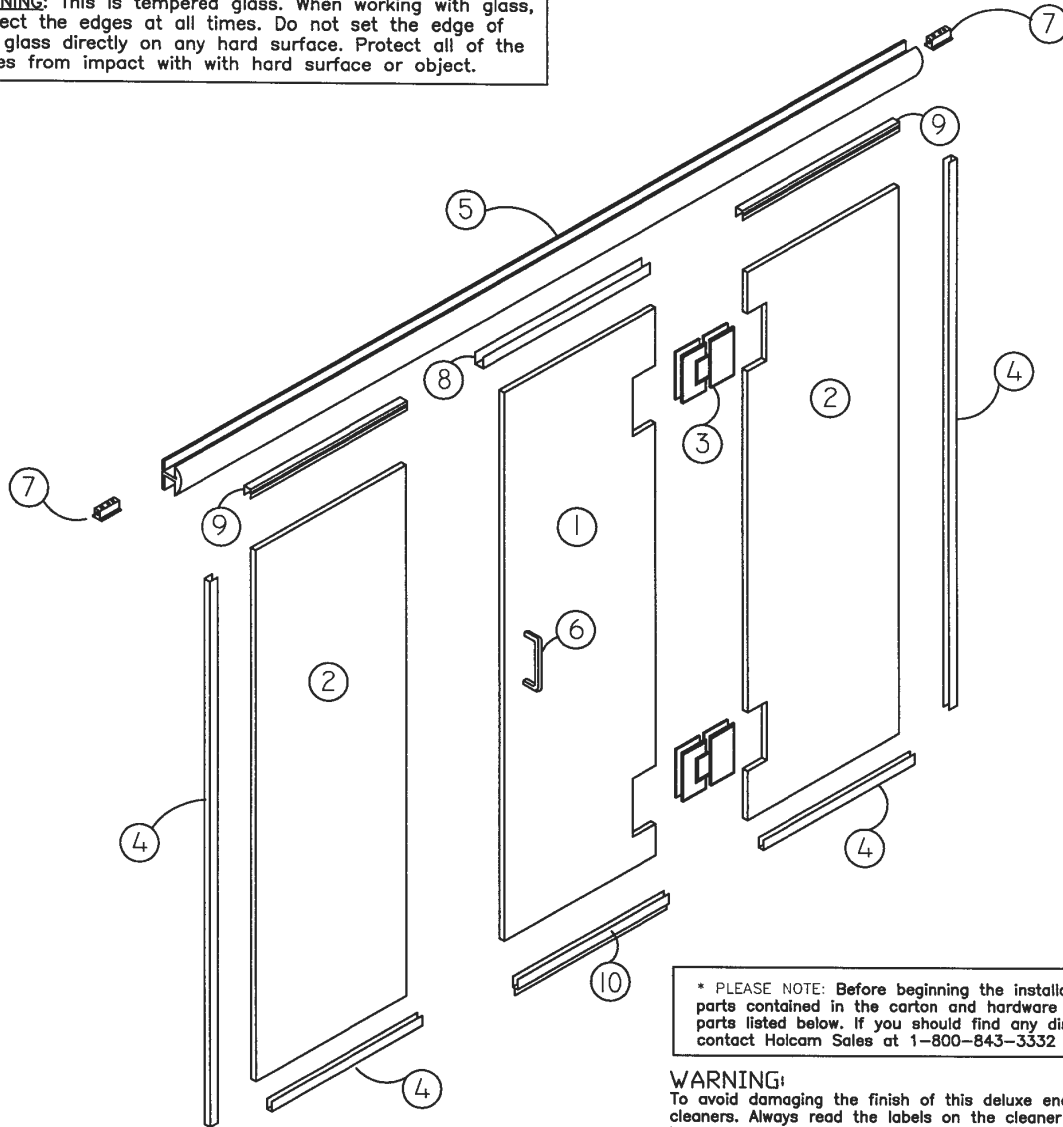


Installation Instruction

HLSD280 (1/2-in), ELSD280 (3/8-in) or QLSD280 (1/4-in)

WARNING: This is tempered glass. When working with glass, protect the edges at all times. Do not set the edge of the glass directly on any hard surface. Protect all of the edges from impact with with hard surface or object.



* PLEASE NOTE: Before beginning the installation, check that the parts contained in the carton and hardware package match those parts listed below. If you should find any discrepancies please contact Holcam Sales at 1-800-843-3332 www.holcam.com

WARNING:
To avoid damaging the finish of this deluxe enclosure, use only mild cleaners. Always read the labels on the cleaner used. Do not use harsh chemicals or abrasive detergents.

TOOLS REQUIRED





1. Tube of approved bathroom silicone sealant
2. 5/32" allenhead wrench
3. Philips head screwdriver
4. Wood blocks
5. Drill motor w/ 3/16" drill bit
6. Painters masking tape
7. Hacksaw
8. Level
9. Mill file
10. Caulking gun

PARTS LIST

1. Glass door
2. Glass panels
3. Eurolite Hinge Assembly w/ required rubber shims
4. U-Channel
5. Header
6. Handle
7. Header Bracket
8. Crown Filler
9. Vinyl Glazing Channel
10. Vinyl Sweep

REV 12/2010

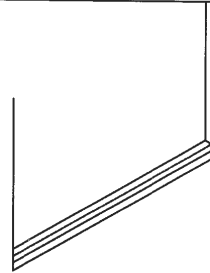
ASSEMBLY HARDWARE

- | ITEM | NAME | QTY. |
|------|---|------|
| 1. |  10 x 2" Screws | |
| 2. |  8x1-1/2" Screws | |
| 2. | Plastic Anchor  | |
| 3. | 3/8" U-Channel  | |

Installation Instruction

HLSD280 (1/2-in), ELSD280 (3/8-in) or QLSD280 (1/4-in)

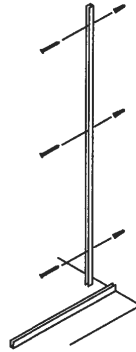
1. MARK CENTERLINE OF SILL LIGHTLY IN PENCIL.



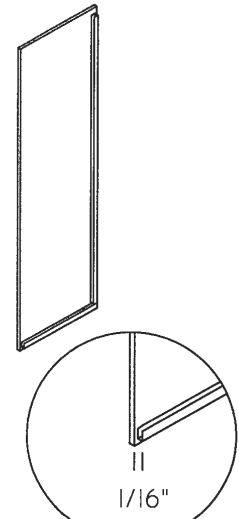
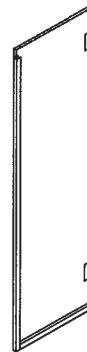
2. POSITION BOTTOM CHANNEL CENTERED ON SILL, BUTTED UP TO WALL. MARK HOLE LOCATIONS. DRILL 3/16" HOLES AND INSERT THE PLASTIC ANCHORS. PLACE A DAB OF SILICONE IN ANCHORS AND SECURE CHANNEL TO SILL WITH # 8x1-1/2" SCREWS. REPEAT ON OPPOSITE SIDE.



3. POSITION WALL CHANNEL CENTERED ABOVE THE BOTTOM U-CHANNEL. PLUMB AND MARK HOLE LOCATIONS. DRILL 3/16" HOLES AND INSERT THE PLASTIC ANCHORS. SECURE CHANNEL TO WALL WITH # 8x1-1/2" SCREWS. REPEAT ON OPPOSITE SIDE.



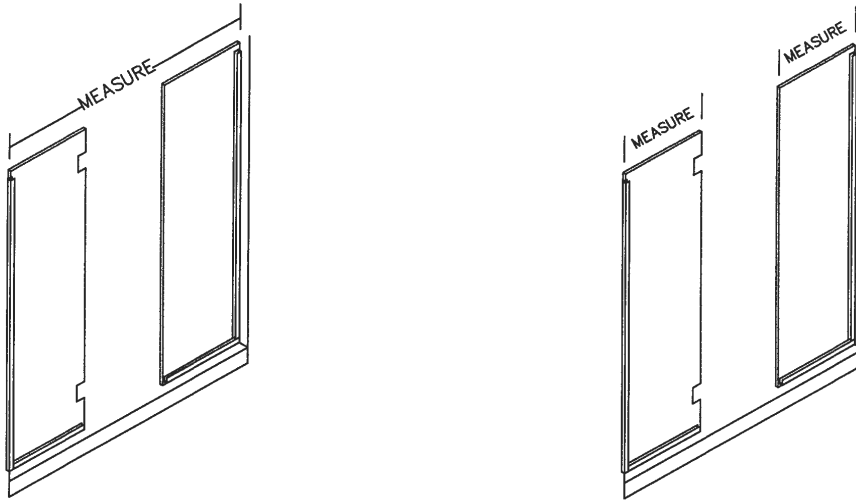
4. PLACE SETTING BLOCKS INSIDE BOTTOM U-CHANNEL. TEST FIT PANEL GLASS, ADD OR SUBTRACT SETTING BLOCKS UNTIL PANEL GLASS SITS 3/8" ABOVE THE TOP OF THE WALL CHANNEL. THE GLASS SHOULD BE OUT OF THE END OF THE BOTTOM CHANNEL 1/16".



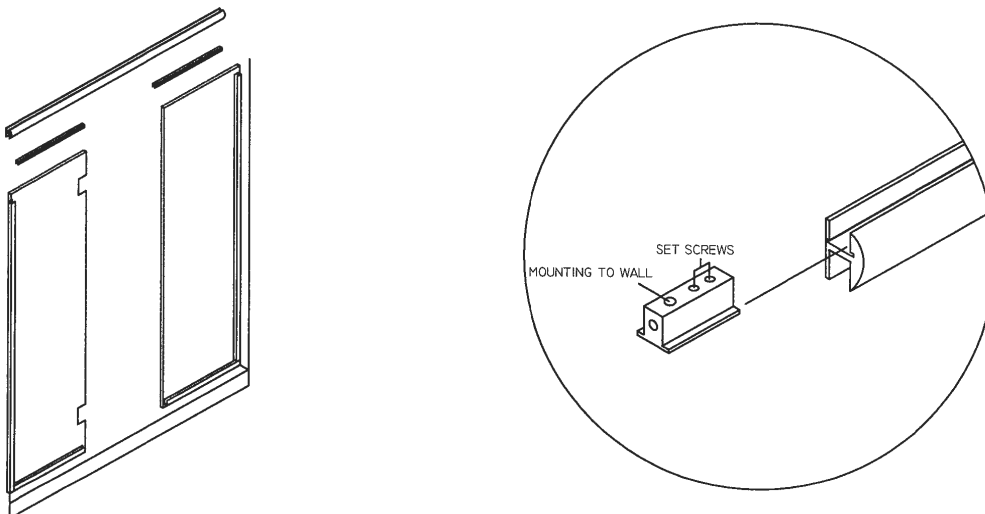
Installation Instruction

HLSD280 (1/2-in), ELSD280 (3/8-in) or QLSD280 (1/4-in)

5. MEASURE WALL TO WALL AT THE TOP OF UNIT. SUBTRACT 1/16" FROM MEASUREMENT AND CUT THE HEADER TO SIZE. MEASURE WIDTH AT THE TOP OF THE PANEL GLASS. CUT THE GLAZING VINYL TO SIZE. TO OBTAIN THE CORRECT SPACING FOR THE DOOR, ADD 3/8" TO THE WIDTH OF THE DOOR AND ADJUST THE OPENING IN-BETWEEN THE PANELS TO THIS MEASUREMENT.



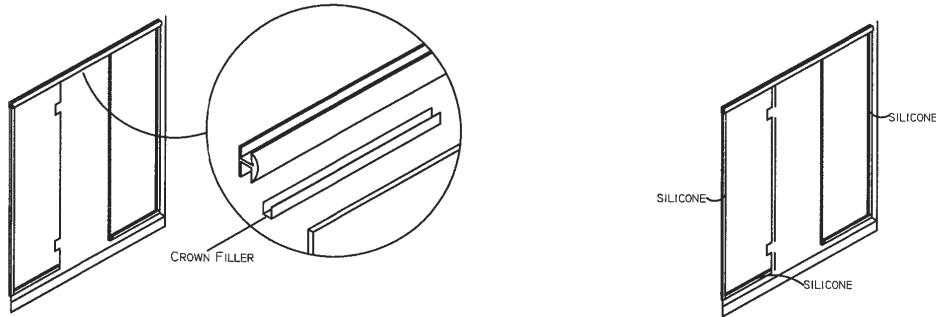
6. SLIDE THE MOUNTING BRACKETS INTO THE TOP CHANNEL OF THE HEADER. USING SOME SHORT LENGTHS OF GLAZING VINYL TO PAD THE EDGE OF THE PANEL GLASS, POSITION THE HEADER ON TOP OF THE PANELS AND PUSH DOWN INTO PLACE. SLIDE THE MOUNTING BRACKETS TO THE END OF THE HEADER. MARK THE MOUNTING HOLE LOCATIONS. REMOVE THE HEADER AND DRILL 3/16" HOLES. INSERT PLASTIC ANCHORS AND REINSTALL THE HEADER USING THE FULL SIZE PIECES OF GLAZING VINYL. SECURE THE MOUNTING BRACKETS TO THE WALL USING #8X1-1/2" SCREWS. TIGHTEN SET SCREWS.



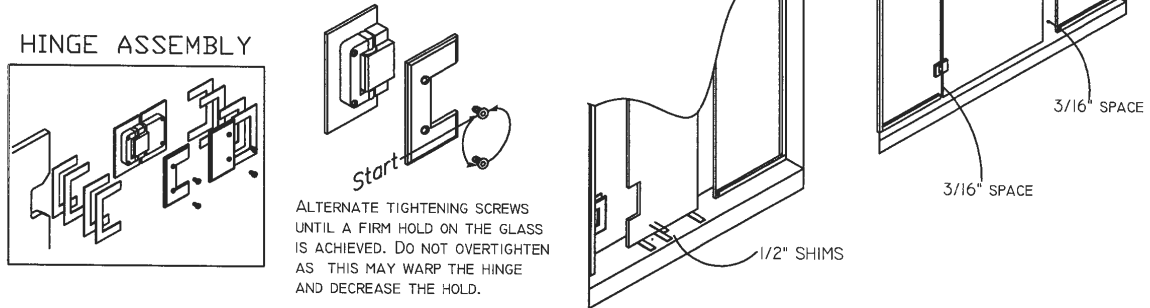
Installation Instruction

HLSD280 (1/2-in), ELSD280 (3/8-in) or QLSD280 (1/4-in)

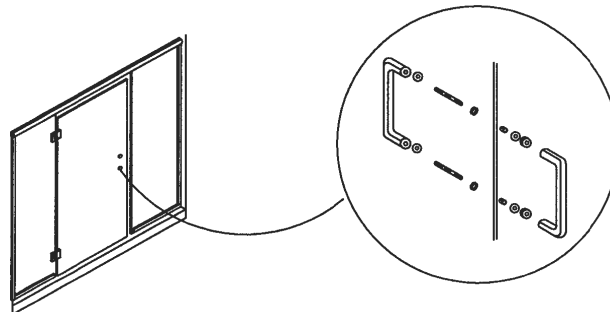
7. DOUBLE CHECK THAT THE SPACING IN-BETWEEN THE PANELS IS CORRECT. THE OPENING SHOULD EQUAL THE DOOR WIDTH PLUS 3/8". ADJUST AS NECESSARY. MEASURE BETWEEN THE PANELS ON THE BOTTOM OF THE HEADER FOR THE CROWN FILLER. CUT THE CROWN FILLER TO SIZE AND SNAP INTO THE HEADER. RUN A CONTINUOUS BEAD OF SILICONE ON BOTH SIDES OF THE STATIONARY PANELS WHERE THE GLASS AND U-CHANNEL MEET. ALLOW A MINIMUM OF TWENTY FOUR HOURS CURING TIME BEFORE INSTALLING THE DOOR.



8. PLACE 1/2" SHIMS ALONG SILL TO SET DOOR GLASS ON. INSTALL TWO RUBBER GASKETS ON EACH HINGE. (USE 2 GASKETS PER SIDE FOR 3/8" GLASS, ONE GASKET PER SIDE FOR 1/2" GLASS) POSITION NOTCH IN GLASS INTO HINGE. INSTALL TWO REMAINING RUBBER GASKETS AND THE BACK PLATE OF THE HINGE WITH THE HEX HEAD SET SCREWS. ADJUST GLASS PANELS TO HAVE 3/16" SPACING BETWEEN THEM ON THE HINGE SIDE. 3/16" SPACING IN-BETWEEN THE PANEL AND THE HANDLE SIDE OF THE DOOR. PLUMB GLASS AND TIGHTEN SET SCREWS IN SEQUENCE SHOWN. REMOVE SHIMS AND CHECK DOOR FOR PROPER OPERATION.



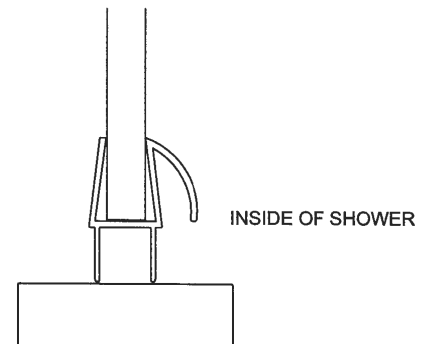
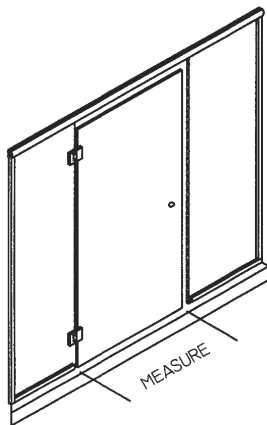
9. INSTALL HANDLE ASSEMBLY THROUGH HOLE IN DOOR GLASS USING PLASTIC SHIMS AND BUSHING.



Installation Instruction

HLSD280 (1/2-in), ELSD280 (3/8-in) or QLSD280 (1/4-in)

10. MEASURE THE WIDTH OF THE DOOR GLASS AT THE BOTTOM EDGE. CUT THE VINYL SWEEP TO SIZE. INSTALL THE SWEEP OVER THE BOTTOM EDGE OF THE DOOR GLASS WITH THE HOOD TOWARDS THE INSIDE OF THE SHOWER.



11. CLEAN THE UNIT AND THEN RUN A CONTINUOUS BEAD OF SILICONE WHERE THE GLASS AND U-CHANNEL MEET ON BOTH SIDES. ALLOW THE SILICONE TO CURE FOR TWENTY FOUR HOURS BEFORE USING THE SHOWER.

