

Installation Instructions

Models: **SESD290, DESD290 or MESD290**

1/4" Semi-Frameless Door with 3/8" In-Line & 90 Panels



Scan this Barcode for Parts Bag BP.3144.NLT



Thank you for purchasing this outstanding product!
This booklet will help you install your units safely and successfully.

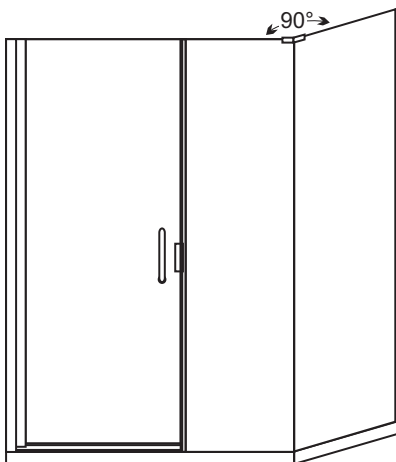
IMPORTANT: Warnings and General Shower Door Information
Page 2



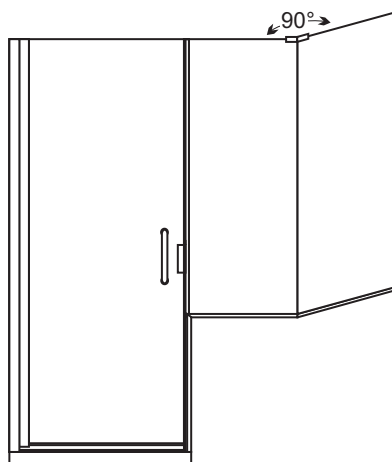
**SAFETY
WARNINGS:**



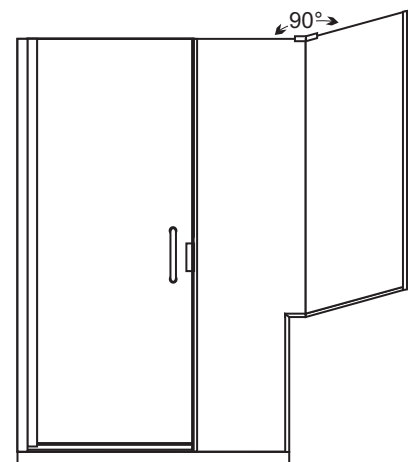
Pick a unit below that best represents your configuration.



**SESD290
DESD290
MESD290**
Standard Door/Panel
Pages 3 - 5



**SESD290
DESD290
MESD290**
with buttress
Pages 6 - 8



**SESD290
DESD290
MESD290**
with notched panel
Pages 9 - 11

General Required Tools

- * Pencil or water soluble felt pen
- * Hacksaw with 24 tooth blade
- * Metal file (smooth sharp edges)
- * Tape measure
- * Drill, electric or battery

- * #2 Phillips Screw driver
- * 7/64" and 3/16" drill bits
- * Caulking gun
- * Clear 100% Silicone (recommended)

- * 4 ft. Level
- * Rubber mallet
- * Razor knife
- * Blue painters tape



HEAVY



CAUTION

**SAFETY
WARNINGS:**



SHARP



GLASS FRAGILE

CAUTION - READ THOROUGHLY BEFORE INSTALLATION

Follow instructions: Instructions must be read and followed carefully to reduce the risk of serious injury during and after installation. Any deviation from these instructions can create safety hazards.

Tempered Glass: Agalite enclosures glass panels are safety tempered to conform to general building codes. The intent of tempering is to reduce the risk of injury. Be careful handling tempered glass. Pay special attention to protect all edges of the glass from contact with hard surfaces.

General Notes:

- **Exposed ends of aluminum** and other hard components can be rough, sharp or jagged due to the processes of cutting, drilling, notching, etc. Sharp ends must be deburred, smoothed or rounded by the installer before installation. Failure to do so could result in serious injury to installer and user of the enclosure.
- **Sliding and swinging glass doors** hitting any unprotected bathroom obstruction or metal or glass component of the shower door itself, may indicate improper installation and could lead to glass breakage or serious injury. The installer must correct the deficiencies before allowing the door to be used.
- **Towel Bars, handles and other accessories** are in no way considered to be grab bars or other bracing or fall prevention mechanisms. The intent of these accessories is to facilitate proper operations and esthetics of the unit.

Shower Door Facts

Shower Doors are Not Watertight: Depending on the type of shower door selected, a properly designed and installed shower enclosures will protect areas outside of the enclosure from water damage under normal shower conditions to varying degrees. Excessive water pressure or directing the shower head or hand held sprays directly at doors or joints is not a normal shower conditions and can result a leak. The amount of water that can escape your shower varies by the type of shower as well. Heavy glass units with no or limited vinyl seals will allow water to escape under normal conditions. In general, the more metal and seals in the unit, the more water protection will be achieved.

Drilling holes in horizontal surfaces: Drilling holes to anchor horizontal sills and curbs to thresholds and tub decks is discouraged. Using masking tape or double-sided tapes to secure non-load bearing components during installation (permanently secured later with silicone/caulking) is one technique to help minimize potential of water leaking underneath flooring. These instructions do not recommend drilling holes on horizontal surfaces for this reason.

Metal Colors:

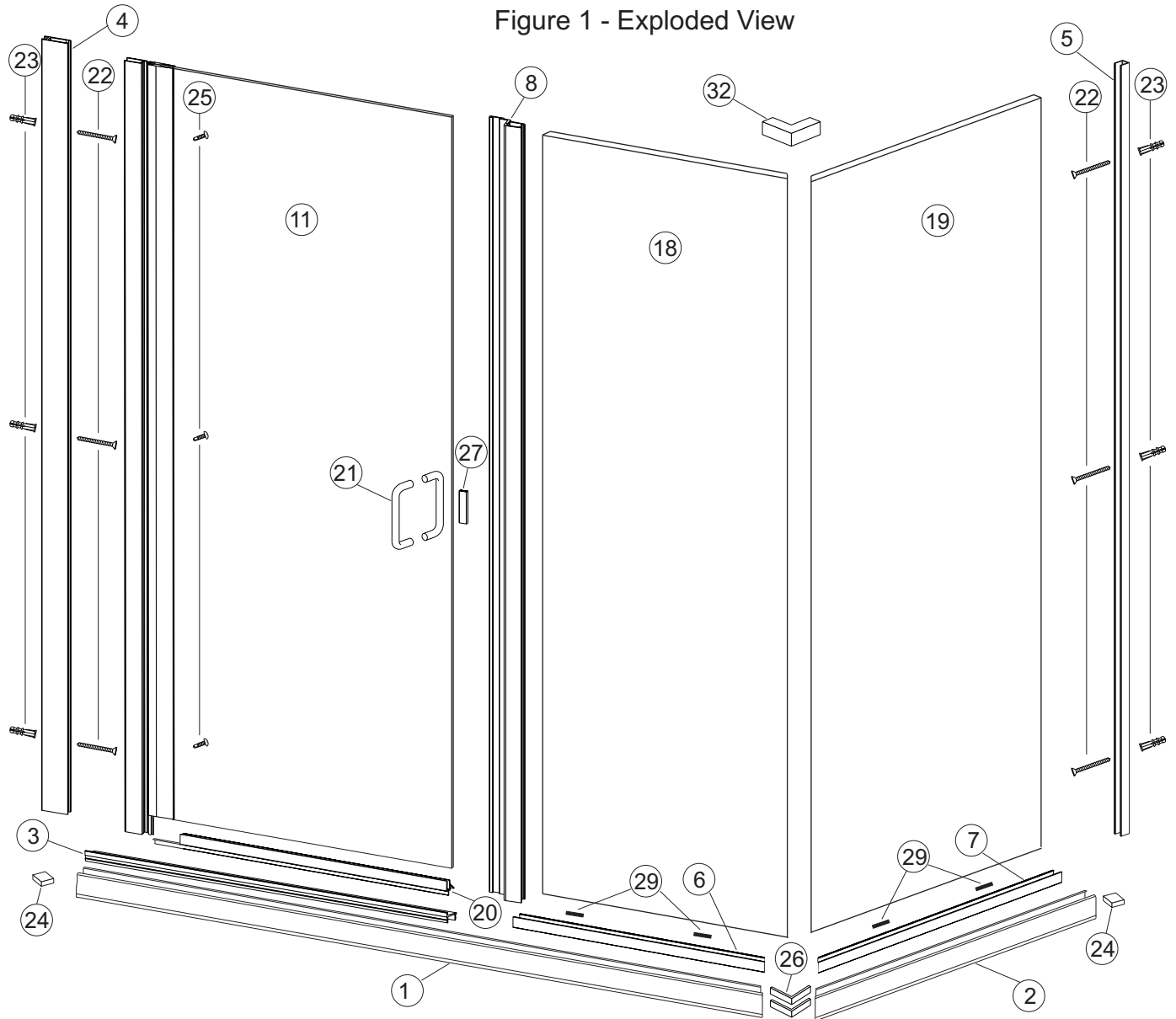
- **Anodized Aluminum:** The color of anodized Silver, Brushed Nickel, Satin Silver, Dark Bronze, and Gold anodized aluminum will vary between adjacent components because of variabilities within polishing, anodizing process and alloy composition. We make every effort to limit the variation; but, it is allowable and must be accepted.
- **Electro Plated Brass and Stainless Steel:** The color of Silver, Brushed Nickel, Satin Silver, Oil Rubbed Bronze, Dark Bronze, and Gold electro plated components will also vary. This is allowable. Most of these finishes are also "living finishes", meaning, they may change, wear, weather, show patina, oxidize, etc. over the life of the product. This is allowable.
- **Powder Coat:** This is a painting process and therefore can achieve the best color matching. Power coat paint, however, is less durable at joints of moving components and at edges that have been cut after the powder coat has cured. Some flaking or chipping in these areas are allowable.
- **All Metal:** Any metal component (and glass components as well) will have limited scratches and pits. We make every effort to limit them; but, they are allowable and must be accepted.

Cleaning and Care: refer to your owners manual for cleaning and care instructions.

Installation Instructions

Models: **SESD290, DESD290 or MESD290**

1/4" Semi-Frameless Door and 3/8" In-Line & 90 Panel



Parts List

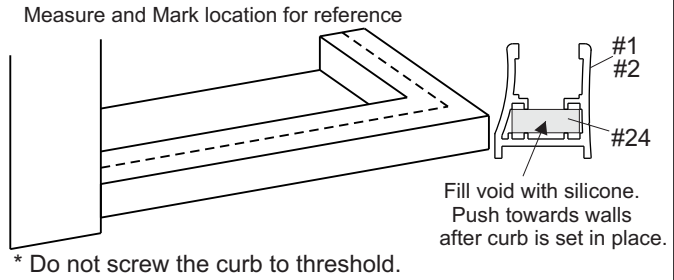
- | | | |
|---|---|---|
| <p>1. EX.1022 - Stall Curb LS 45° - 1
 2. EX.1022 - Stall Curb RS 45° - 1
 3. EX.1025 - Curb Filer - 1
 4. EX.1268 - Hinge Wall Channel - 1
 5. EX.1018 - Panel Wall Channel - 1
 6. EX.1018 - Panel Sill LS 45° - 1
 7. EX.1018 - Panel Sill RS 45° - 1
 8.- 10. Clear-Poly Latch Assembly
 11. - 17. Door Assembly - 1
 18. 3/8 Fixed Panel - 1
 19. 3/8 Fixed Panel - 1
 20. VN.4062 - PVC Drip Deflector - 1
 21. HA.2701 - D-pull Handle - 1</p> | <p>22. SP.2101 - #8 X 1-1/2 FHPHMS - 6
 23. SP.2217 - 3/16 X 7/8 Wall Anchor - 6
 24. SP.2204 - Foam Plug - 2
 25. SP.2110 - #8 X 1/2 PHPH TEK - 3
 26. SP.2015 - 90° Curb Clips - 2
 27. - 28. Magnetic Edge Cap Assembly - 1
 29. BP.3028 - Setting Block Kit
 30. SP.2221 - Centering Clip - 5
 31. VN.4033 - VS-20 Dry Glaze Vinyl
 32. HA.2667 - Sleeve Over Clamp</p> | <p>11. Door Assembly-EX.1165-Hinge Jamb-1
 12. VN.4034 - Hinge Sleeve - 1
 13. EX.1466 - Hinge Rail - 1
 14. SP.2200 - Hinge Pin - 2
 15. SP.2181 - Flat Washer - 2
 16. SP.2123 - #6 X 1/2 PHPH MS - 2
 17. 1/4 Clear Door Glass - 1</p> |
| <p>8. Clear Poly Latch-VN.4075-PVC Latch - 1
 9. VN.4002 - Bulb Seal - 1
 10. SP.2194 - Strike Plate - 1</p> | <p>27. Magnetic Cap Assy-EX.1619- Catch - 1
 28. SP.2191 - Magnet - 1</p> | <p>Boxed information is assembly detail.</p> <p><i>Extra screws may be provided for your convenience</i></p> |

Installation Instructions

Models: SESD290, DESD290 or MESD290
1/4" Semi-Frameless Door and 3/8" In-Line & 90° Panel

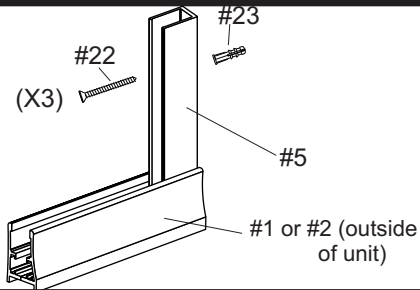
STEP 1 - Curb Installation (#1 & #2)

- * Measure the wall to intersection, then intersection to back wall. This is where the center of the unit will be installed. Mark location for reference.*
- * Add 1/2" to each measurement and cut Stall Curbs #1 and #2 to length measuring from the long point of the miters.
- * Insert foam plug #24 into each end of the Stall Curb and recess 1/8".
- * Fill 1/8" void with silicone. Insert 2 - #26 corner clips and silicone the miter.
- * Set the curb in place centered over where you measured, secure with blue tape.
- * Be sure weep holes are to inside of shower.



STEP 2 - Wall Channel (#5)

- * Insert Wall Channel #5 into curb, on side of fixed panel.
- * Plumb channel with a level.
- * Mark the hole locations onto the wall.
- * Remove the channel.
- * Drill marked locations with 3/16" drill bit
- * Insert 3 - Wall Anchors #23 (may have to razor heads of anchors flush to wall).
- Re-insert channel and secure with 3 - #22 screws.



STEP 3 - Panel Sill (#6 #7) 3/8" Fixed Panels (#18 #19)

- * Measure width of 3/8" Fixed Panel (#19) 90° panel and subtract 3/16".
- * Cut the Panel Sill #7, to this length measuring from the long point of the miter.
- * Measure width of 3/8" Fixed Panel (#18) inline panel and add 3/16".
- * Cut the Panel Sill #6, to this length measuring from the long point of the miter.
- * Set the Panel Sills #6 & #7 into the Stall Curb #1 and butt to the Wall Channel #5.
- * Insert two Setting Blocks #29 into each Panel Sill.

Wet Glaze Option Only - If using silicone to bond the glass to the wall channel and panel sills:

- Install 2 - #30 Centering Clips evenly spaced into each Panel Sill, offset from Setting Blocks.
- Insert 3 - #30 Centering Clips into the Wall channel.

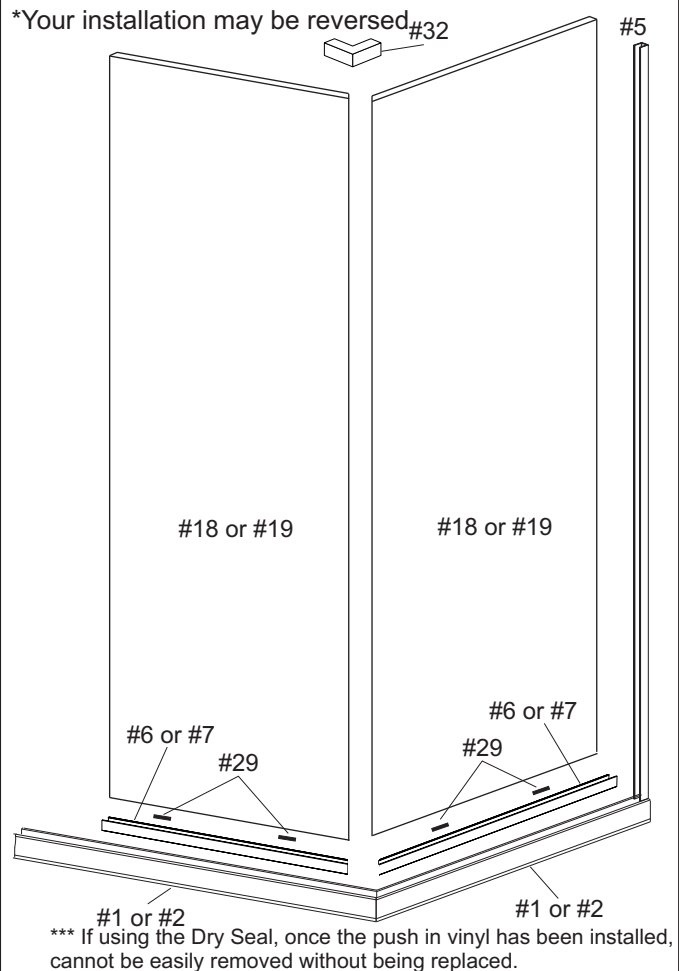
Dry Glaze Option - If using push-in glazing vinyl to set the 3/8" glass panel, do not use Centering Clips #30.

- * Set 3/8" 90° Glass Panel into Panel Sill and Wall Channel.
- * Adjust glass edge to to the mitered end of Panel Sill #7.
- * Adjust top of glass flush to top of Wall Channel, place additional setting blocks under glass if needed.
- * Ensure vertical edge of 3/8" Glass Panel is plumb.
- * Set 3/8" inline Glass Panel into Panel Sill.
- * Adjust top of glass flush to top of 1st panel. Place additional setting blocks under glass if needed.
- * Ensure leading edge of 3/8" Glass Panel is plumb.
- * See page 12 for instructions on silconing the panels together.

Wet Glaze Option - Temporarily, but securely fix Glass Panels into position with blue painter's tape.

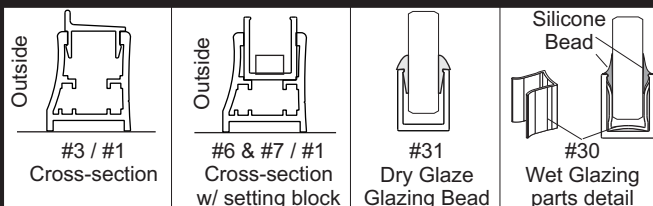
Dry Glaze Option - Holding the glass panels in position, roll or press the Glazing Bead into both sides of sill and wall channel using a roller or smooth block of wood.

- * Check to ensure panel didn't move.



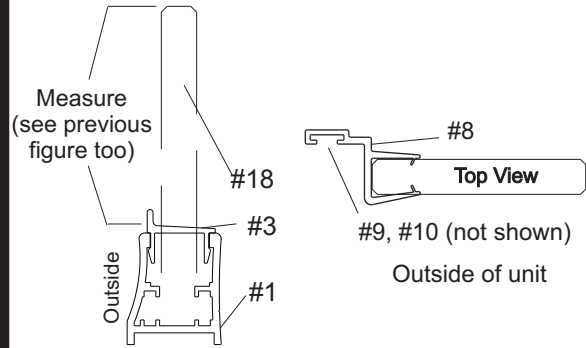
STEP 4 - Curb Filler (#3)

- * Measure from the edge of the 3/8" Glass Panel to the Door side wall. Cut the Curb Filler #3 to this length.
- * With the two forks pointing down and the vertical leg to the front of the unit, snap the Curb Filler into the Stall Curb.
- * The slope of the Curb filler should be to the inside of the shower.



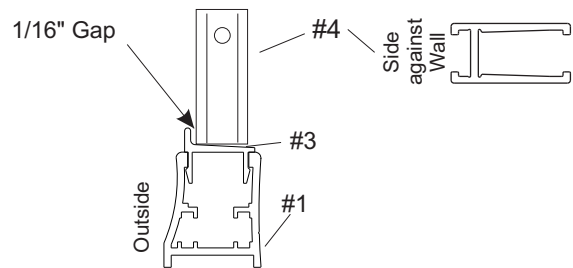
STEP 5 - Clear-Poly Latch Jamb (#8)

- * Measure from top of 3/8" Glass Panel #18 to top of the sloped surface of the Curb Filler #3.
- * Take Clear-Poly Latch Jamb assembly, and remove the Bulb Seal and Strike Plate, set aside for later step.
- * Cut Clear-Poly Latch #8 to above dimension using a 24 tooth hatch-saw. Power saw may damage latch
- * Recommended: notch the Clear-Poly Latch at bottom to clear the Panel Sill #6 (trim legs up 3/16").
- * Apply the Clear-Poly Latch Jamb on edge of Glass with latch inside unit ensuring it is flush with the top of the Fixed panel.



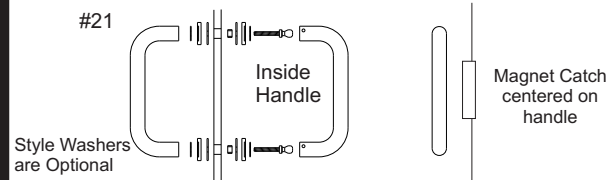
STEP 6 - Attach Door-Side Wall Channel (#4)

- * Set door-side Wall Channel #4 in place against the door side wall, on top of the Curb Filler.
- * Gap the bottom of the wall channel 1/16" from the vertical water dam of the Curb Filler (This will allow the room for the Door assembly to slide over.)
- * Plumb Wall Channel, mark the hole locations on wall and remove Wall Channel.
- * Drill holes with 3/16" bit, insert 3 - #23 Wall Anchors, re-install Wall channel and secure with 3 - #22 Screws.



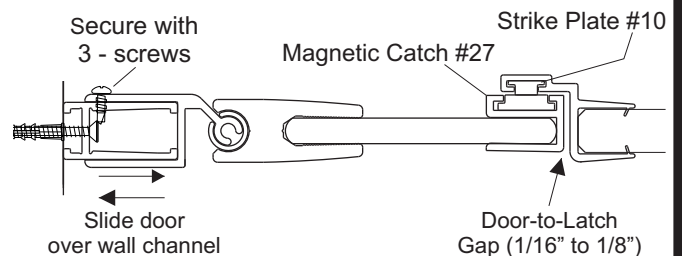
STEP 7 - Door Assembly / Pre-Hanging Prep

- * Attach Pull - Handle #21 to Door.
- * Dry run the position of Magnetic Catch Assembly, #27, #28 and mark location with marker on glass.
- * Apply small bead of silicone inside Catch Assembly and work onto edge of glass at mark. Let silicone dry.



STEP 8 - Hang Door Assembly

- * Slide door assembly over the Wall Channel (Step 6)
- * Adjust door until top edge of the door is level and flush with top of 3/8" Glass Panel.
- * Also ensure door-to-latch gap is consistent from bottom to top.
- * When aligned, secure Door Assembly to Wall Channel with 3 - #25 screws using factory pilot holes in the Hinge Jamb.

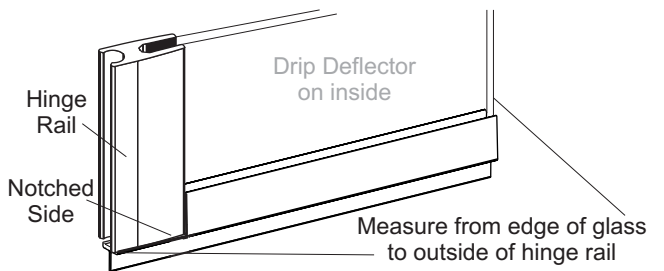


Finish Latch

- * Temporarily slide Strike Plate #10 into Clear-Poly Latch #8, align with Mag Catch #27.
- * Mark top and bottom of Strike Plate onto Latch.
- * Marks and cut Bulb Seal #9 to proper length.
- * From top of latch, re-insert bottom bulb seal, strike and top seal. Dabs of silicone may be required to secure Bulb Seals and Strike in place. Hold with Painters tape while drying.

STEP 9 - Bottom Sweep Fitting (#20)

- * Measure the Door Glass including Hinge Rail.
- * Subtract 1/16" and cut the Bottom sweep to this length. IMPORTANT: The sweep is notch on both ends. You must leave the notch that goes under the Hinge Rail for your door. Cut off the end with the notch you don't need.
- * Trim the inside deflector 3/8" so it will clear the Latch Jamb when door is closed.



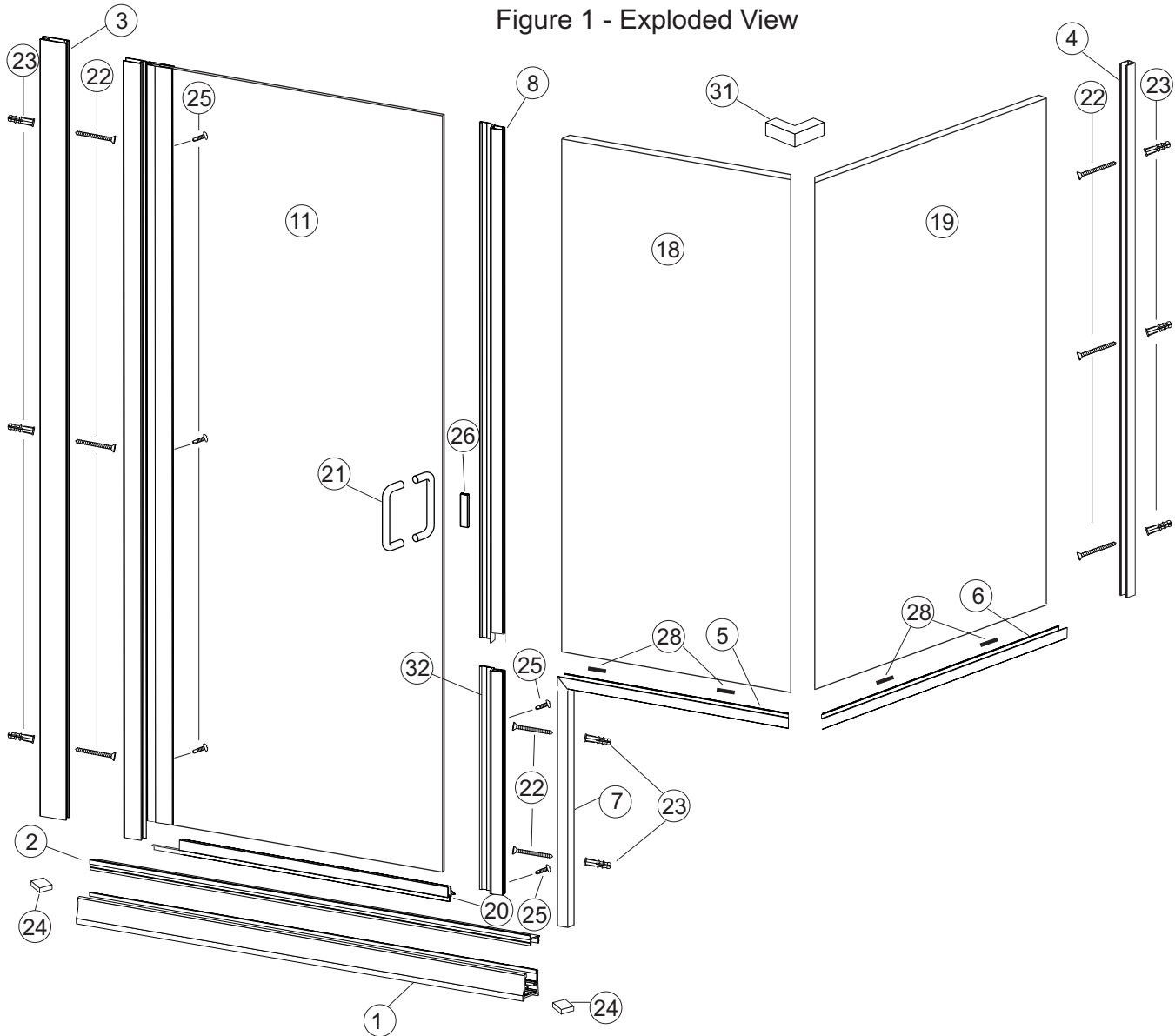
STEP 10 - Final Sealing / Siliconing the Unit (let dry for 24 hours before use)

- * On the outside of the unit, run a bead of silicone down both walls and across the bottom where the metal meets the walls and base.
- * Apply a dab of silicone at the bottom of the latch jamb where it meets the Curb Filler.

Installation Instructions

Models: SESD290, DESD290 or MESD290 Buttress 1/4" Semi-Frameless Door and 3/8" In-Line & 90 Panel

Figure 1 - Exploded View



Parts List

- | | | |
|---|--|--|
| <ul style="list-style-type: none"> 1. EX.1022 - Stall Curb - 1 2. EX.1025 - Curb Filer - 1 3. EX.1268 - Hinge Wall Channel - 1 4. EX.1018 - Panel Wall Channel - 1 5. EX.1018 - Panel Sill LS 45° - 1 6. EX.1018 - Panel Sill RS 45° - 1 7. EX.1018 - Panel Sill Vertical - 1 8.- 10. Clear-Poly Latch Assembly 11. - 17. Door Assembly - 1 18. 3/8 Fixed Panel in-line - 1 19. 3/8 Fixed Panel 90° - 1 20. VN.4062 - PVC Drip Deflector - 1 21. HA.2701 - D-pull Handle - 1 | <ul style="list-style-type: none"> 22. SP.2101 - #8 X 1-1/2 FHPHMS - 8 23. SP.2217 - 3/16 X 7/8 Wall Anchor - 8 24. SP.2204 - Foam Plug - 2 25. SP.2110 - #8 X 1/2 PHPH TEK - 6 26. - 27. Magnetic Edge Cap Assembly - 1 28. BP.3028 - Setting Block Kit 29. SP.2221 - Centering Clip - 5 30. VN.4033 - VS-20 Dry Glaze Vinyl 31. HA.2667 - Sleeve Over Clamp 32. VN.4076 - Buttress PVC Latch - 1 | <ul style="list-style-type: none"> 11. Door Assembly-EX.1165-Hinge Jamb-1 12. VN.4034 - Hinge Sleeve - 1 13. EX.1466 - Hinge Rail - 1 14. SP.2200 - Hinge Pin - 2 15. SP.2181 - Flat Washer - 2 16. SP.2123 - #6 X 1/2 PHPH MS - 2 17. 1/4 Clear Door Glass - 1 |
| <ul style="list-style-type: none"> 8. Clear Poly Latch-VN.4075-PVC Latch - 1 9. VN.4002 - Bulb Seal - 1 10. SP.2194 - Strike Plate - 1 | <ul style="list-style-type: none"> 26. Magnetic Cap Assy-EX.1619- Catch - 1 27. SP.2191 - Magnet - 1 | |

Boxed information is assembly detail.

**Extra screws may be provided
for your convenience**

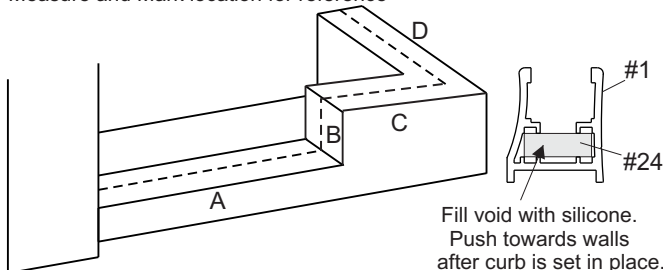
Installation Instructions

Models: SESD290, DESD290 or MESD290 Buttress
1/4" Semi-Frameless Door and 3/8" In-Line & 90° Panel

STEP 1 - Curb Installation (#1 & #2)

- * Measure the dimensions as shown at right. This is where the center of the unit will be installed. Mark location for reference.
- * Subtract 1/16" from dimension A and cut Stall Curb #1.
- * Insert foam plug #24 into each end of the Stall Curb and recess 1/8".
- * Fill 1/8" void with silicone.
- * Set the curb in place centered over where you measured, secure with blue tape.
- * Be sure weep holes are to inside of shower.

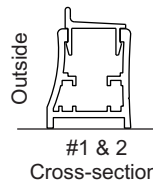
Measure and Mark location for reference



* Do not screw the curb to threshold.

STEP 2 - Curb Filler (#2)

- * Measure and cut the Curb Filler #2 to the same length as the Stall Curb.
- * With the two forks pointing down and the vertical leg to the front of the unit, snap the Curb Filler into the Stall Curb.
- * The slope of the Curb filler should be to the inside of the shower. Tape the curb down to hold it in place.



STEP 3 - Panel Sills (5, 6, 7)

- * If Panel Sills are not already cut to size, cut them as follows:
 - #7 = Dim B minus 1/2", leave the miter.
 - #5 = Dim C + 1 1/16", cut to dim measuring from longest point of both miters. You will have to reproduce one of the miters.
 - #6 = Dim D + 5/16", leave the miter.
- * With the Stall Curb already in place, dry set the three Panel Sills, aligning them to the opening and each other. Mark their locations and secure them with Blue Tape.
- * Set Wall Channel #4, on top of the Panel Sill #6. Plumb with a level and mark the hole locations onto the wall.
- * Drill marked holes with a 3/16" drill bit. Insert 3 - #23 Wall Anchors, and secure with 3 - #22 Screws.

Wet Glaze Option Only - If using silicone to bond the glass to the wall channel and panel sills:

- Install 2 - #29 Centering Clips evenly spaced into each Panel Sill.
- Insert 3 - #29 Centering Clips into the Wall channel.

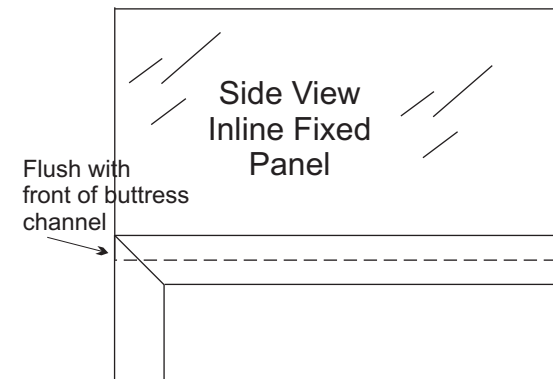
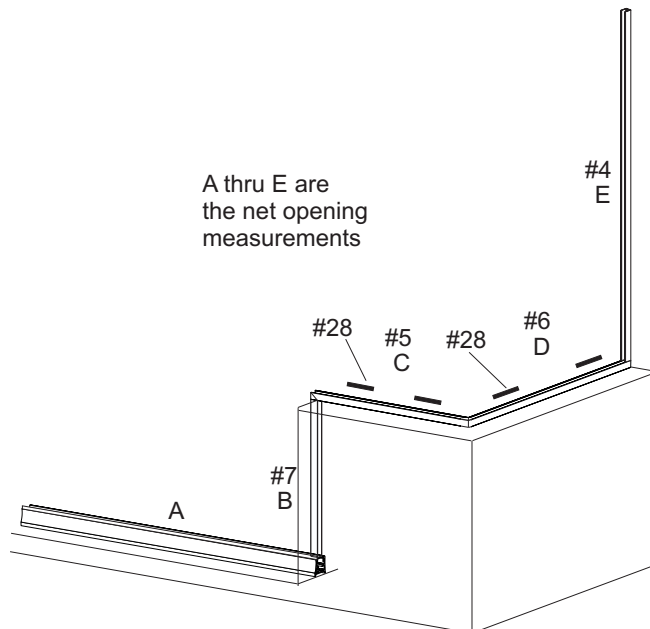
Dry Glaze Option - If using push-in glazing vinyl to set the 3/8" glass panel, do not use Centering Clips #29.

- * Insert 2 - #28 Setting blocks and set 3/8" Fixed Panel #19 into the Panel Sill and Wall Channel.
- * Using Setting Blocks, adjust Fixed Panel so that it is flush with the top of the Wall Channel and the leading edge of panel is plumb.
- * Insert 2 - #28 Setting blocks and set 3/8" Fixed Panel #18 into the Panel Sill. Leave a 1/16" to 1/8" gap between the Fixed panels and adjust panel flush with top of 1st panel and the leading edge is plumb.
- Use the Sleeve over Clamp #31 to help stabilize the panels.
- * See page 12 for instructions on siliconing the panels together.

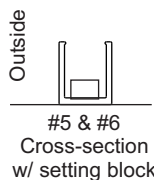
Wet Glaze Option - Temporarily, but securely fix Glass Panels into position with blue painter's tape.

Dry Glaze Option - Holding the glass panels in position, roll or press the Glazing Bead into both sides of sill and wall channel using a roller or smooth block of wood.

- * Check to ensure panel didn't move.



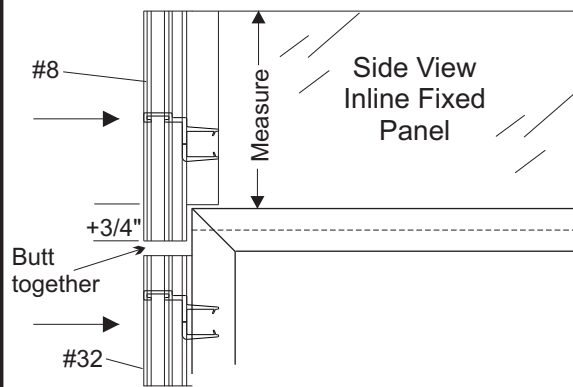
*** If using the Dry Seal, once the push in vinyl has been installed, it cannot be easily removed without being replaced.



Wet Glazing parts detail Page 7

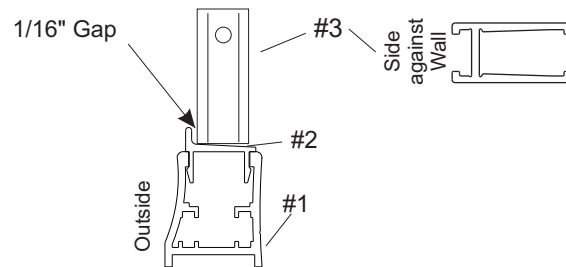
STEP 4 - Clear-Poly Latch Jamb (#8)

- * Measure from top of 3/8" Glass Panel #18 to top of the Panel Sill #5. Add 3/4" to this measurement.
- * Take Clear-Poly Latch Jamb assembly, and remove the Bulb Seal and Strike Plate, set aside for later step.
- * Cut Clear-Poly Latch #8 to above dimension using a 24 tooth hatch-saw. Power saw may damage latch.
- * Notch the Clear-Poly Latch at bottom to clear the Panel Sill #5 (trim legs up 3/4").
- * Apply the Clear-Poly Latch Jamb on edge of Glass with latch inside unit ensuring it is flush with the top of the Fixed panel.
- * Measure from the bottom of the upper PVC latch down to the top of the sloped surface of the Curb filler and cut the #32 Buttress PVC Latch the that dimension.
- * Insert Buttress PVC Latch into the #7 channel and butt to the bottom of the top Latch. They will act as one latch jamb.



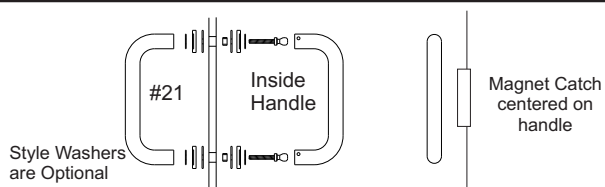
STEP 5 - Attach Door-Side Wall Channel (#3)

- * Set door-side Wall Channel #3 in place against the door side wall, on top of the Curb Filler.
- * Gap the bottom of the wall channel 1/16" from the vertical water dam of the Curb Filler (This will allow the room for the Door assembly to slide over.)
- * Plumb Wall Channel, mark the hole locations on wall and remove Wall Channel.
- * Drill holes with 3/16" bit, insert 3 - #23 Wall Anchors, re-install Wall channel and secure with 3 - #22 Screws.



STEP 6 - Door Assembly / Pre-Hanging Prep

- * Attach Pull - Handle #21 to Door.
- * Dry run the position of Magnetic Catch Assembly, #26, #27 and mark location with marker on glass.
- * Apply small bead of silicone inside Catch Assembly and work onto edge of glass at mark. Let silicone dry.

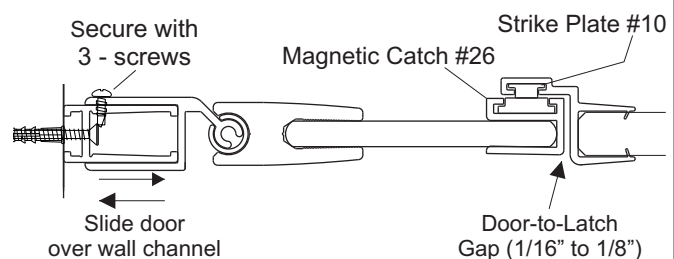


STEP 7 - Hang Door Assembly

- * Slide door assembly over the Wall Channel (Step 5)
- * Adjust door until top edge of the door is level and flush with top of 3/8" Glass Panel.
- * Also ensure door-to-latch gap is consistent from bottom to top.
- * When aligned, secure Door Assembly to Wall Channel with 3 - #25 screws using factory pilot holes in the Hinge Jamb.

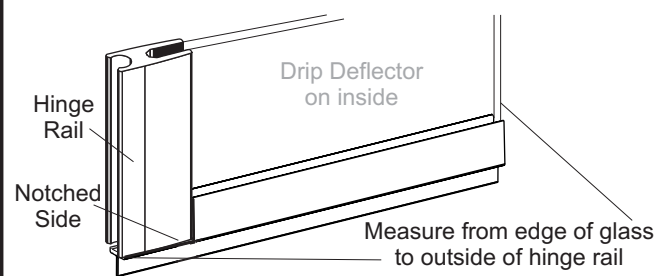
Finish Latch

- * Temporarily slide Strike Plate #10 into Clear-Poly Latch #8, align with Mag Catch #26.
- * Mark top and bottom of Strike Plate onto Latch.
- * Marks and cut Bulb Seal #9 to proper length.
- * From top of latch, re-insert bottom bulb seal, strike and top seal. Dabs of silicone may be required to secure Bulb Seals and Strike in place. Hold with Blue tape while drying.
- * Secure #32 lower PVC latch from the inside with 2 - # 8 X 1/2 PHPH TEK screws.



STEP 8 - Bottom Sweep Fitting (#20)

- * Measure the Door Glass including Hinge Rail.
- * Subtract 1/16" and cut the Bottom sweep to this length. IMPORTANT: The sweep is notch on both ends. You must leave the notch that goes under the Hinge Rail for your door. Cut off the end with the notch you don't need.
- * Trim the inside deflector 3/8" so it will clear the Latch Jamb when door is closed.



STEP 9 - Final Sealing / Siliconing the Unit (let dry for 24 hours before use)

- * On the outside of the unit, run a bead of silicone down both walls and across the bottom where the metal meets the walls and base.
- * Apply a dab of silicone at the bottom of the latch jamb where it meets the Curb Filler.

Installation Instructions

Models: SESD290, DESD290 or MESD290 Notched Panel and Buttress
 1/4" Semi-Frameless Door and 3/8" In-Line & 90 Panel

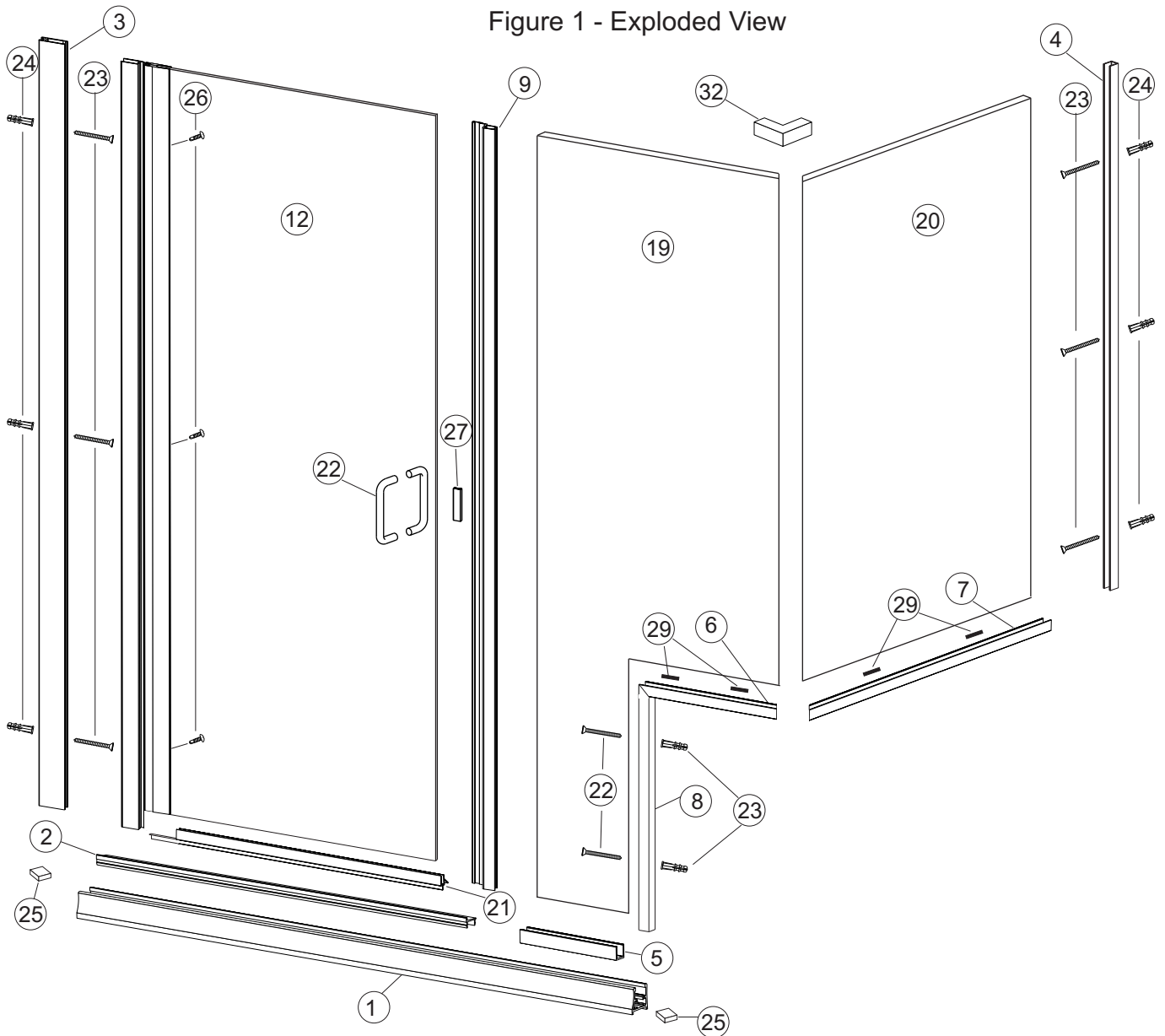


Figure 1 - Exploded View

Parts List

- | | | |
|---|--|--|
| <ul style="list-style-type: none"> 1. EX.1022 - Stall Curb - 1 2. EX.1025 - Curb Filer - 1 3. EX.1268 - Hinge Wall Channel - 1 4. EX.1018 - Panel Wall Channel - 1 5. EX.1018 - Panel Sill Lower - 1 6. EX.1018 - Panel Sill LS 45° - 1 7. EX.1018 - Panel Sill RS 45° - 1 8. EX.1018 - Panel Sill Vertical - 1 9.- 11. Clear-Poly Latch Assembly 12. - 18. Door Assembly - 1 19. 3/8 Fixed Panel inline - 1 20. 3/8 Fixed Panel 90° - 1 21. VN.4062 - PVC Drip Deflector - 1 22. HA.2701 - D-pull Handle - 1 | <ul style="list-style-type: none"> 23. SP.2101 - #8 X 1-1/2 FHPSMS - 8 24. SP.2217 - 3/16 X 7/8 Wall Anchor - 8 25. SP.2204 - Foam Plug - 2 26. SP.2110 - #8 X 1/2 PPHP TEK - 3 27. - 28. Magnetic Edge Cap Assembly - 1 29. BP.3028 - Setting Block Kit 30. SP.2221 - Centering Clip - 5 31. VN.4033 - VS-20 Dry Glaze Vinyl 32. HA.2667 - Sleeve Over Clamp | <ul style="list-style-type: none"> 12. Door Assembly-EX.1165-Hinge Jamb-1 12. VN.4034 - Hinge Sleeve - 1 13. EX.1466 - Hinge Rail - 1 14. SP.2200 - Hinge Pin - 2 15. SP.2181 - Flat Washer - 2 16. SP.2123 - #6 X 1/2 PPHP MS - 2 18. 1/4 Clear Door Glass - 1 |
|---|--|--|
-
- | | |
|--|--|
| <ul style="list-style-type: none"> 9. Clear Poly Latch-VN.4075-PVC Latch - 1 10. VN.4002 - Bulb Seal - 1 11. SP.2194 - Strike Plate - 1 | <ul style="list-style-type: none"> 27. Magnetic Cap Assy-EX.1619- Catch - 1 28. SP.2191 - Magnet - 1 |
|--|--|
- Extra screws may be provided for your convenience**

Boxed information is assembly detail.

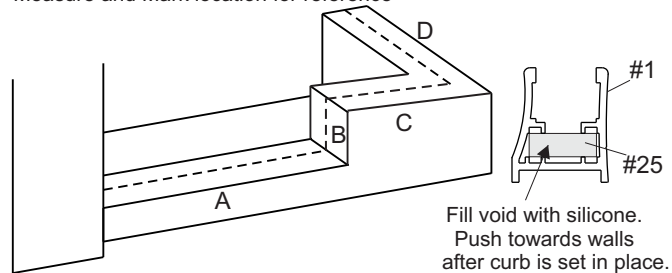
Installation Instructions

Models: SESD290, DESD290 or MESD290 Notched Panel and Buttress
1/4" Semi-Frameless Door and 3/8" In-Line & 90° Panel

STEP 1 - Curb Installation (#1)

- * Measure the dimensions as shown at right. This is where the center of the unit will be installed. Mark location for reference.
- * Subtract 1/16" from dimension A and cut Stall Curb #1.
- * Insert foam plug #25 into each end of the Stall Curb and recess 1/8".
- * Fill 1/8" void with silicone.
- * Set the curb in place centered over where you measured, secure with blue tape.
- * Be sure weep holes are to inside of shower.

Measure and Mark location for reference



* Do not screw the curb to threshold.

STEP 2 - Panel Sills (6, 7, 8)

- * If Panel Sills are not already cut to size, cut them as follows:
#8 = Dim B + 1/8", leave the miter. Vertical sill sets inside of Stall Curb #1.
#6 = Dim C + 1 1/16", cut to dim measuring from longest point of both miters. You will have to reproduce one of the miters.
#7 = Dim D + 5/16", leave the miter.
- * With the Stall Curb already in place, dry set the three Panel Sills, aligning them to the opening and each other. Mark their locations and secure them with Blue Tape.
- * Set Wall Channel #4, on top of the Panel Sill #7. Plumb with a level and mark the hole locations onto the wall.
- * Drill marked holes with a 3/16" drill bit. Insert 3 - #24 Wall Anchors, and secure with 3 - #23 Screws.

Wet Glaze Option Only - If using silicone to bond the glass to the wall channel and panel sills:

- Install 2 - #30 Centering Clips evenly spaced into each Panel Sill.
- Insert 3 - #30 Centering Clips into the Wall channel.

Dry Glaze Option - If using push-in glazing vinyl to set the 3/8" glass panel, do not use Centering Clips #30.

- * Insert 2 - #29 Setting blocks and set 3/8" Fixed Panel #20 into the Panel Sill and Wall Channel.
- * Using Setting Blocks, adjust Fixed Panel so that it is flush with the top of the Wall Channel and the leading edge of panel is plumb. Measure the width of the lower leg of the notched panel. Subtract 3/8" and cut the lower Panel Sill #5 to the dimension. Insert the Panel Sill #5 into the Stall Curb and butt it up to the vertical Panel Sill #8.
- * Insert 4 - #29 Setting blocks and set 3/8" Fixed Panel #19 into the Panel Sill. Leave a 1/16" to 1/8" gap between the Fixed panels and adjust panel flush with top of 1st panel and the leading edge is plumb. Use the Sleeve over Clamp #32 to help stabilize the panels.
- * See page 12 for instructions on siliconing the panels together.

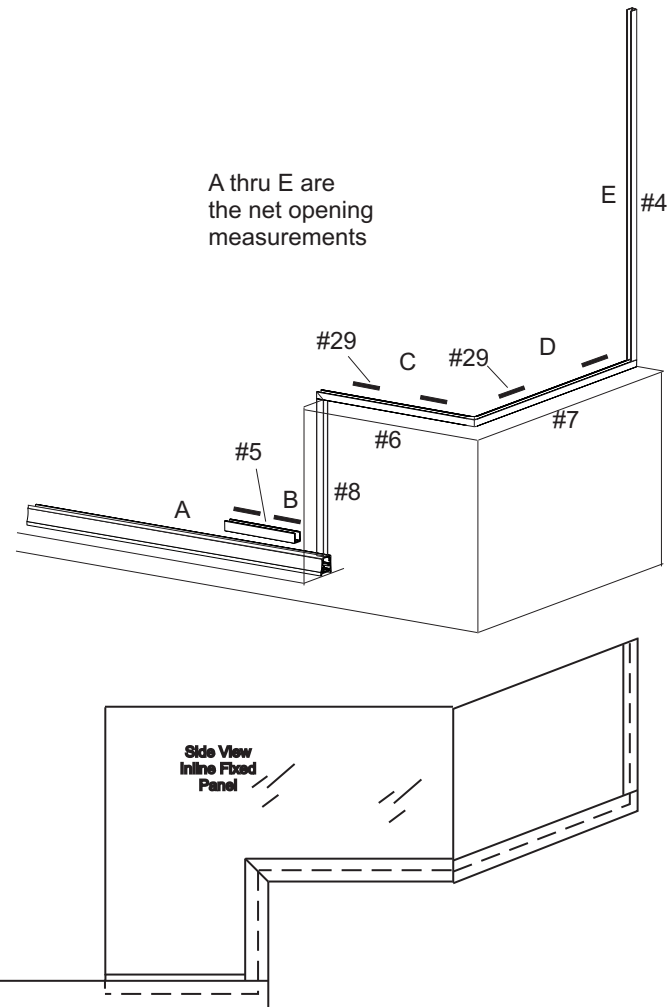
Wet Glaze Option - Temporarily, but securely fix Glass Panels into position with blue painter's tape.

Dry Glaze Option - Holding the glass panels in position, roll or press the Glazing Bead into both sides of sill and wall channel using a roller or smooth block of wood.

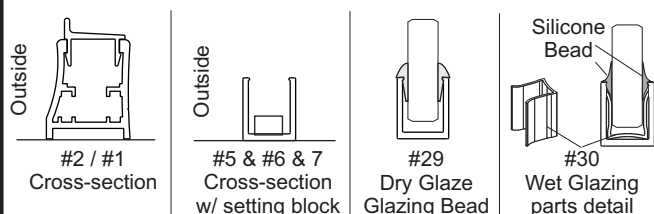
- * Check to ensure panel didn't move.

STEP 3 - Curb Filler (#2)

- * Measure between the door wall and the leading edge of the 3/8" In-line notched panel.
- * Cut the Curb Filler #2 to this length. It will fit between the wall and the Panel Sill of the in-line panel.
- * With the two forks pointing down and the vertical leg to the front of the unit, snap the Curb Filler into the Stall Curb.
- * The slope of the Curb filler should be to the inside of the shower. Tape the curb down to hold it in place.

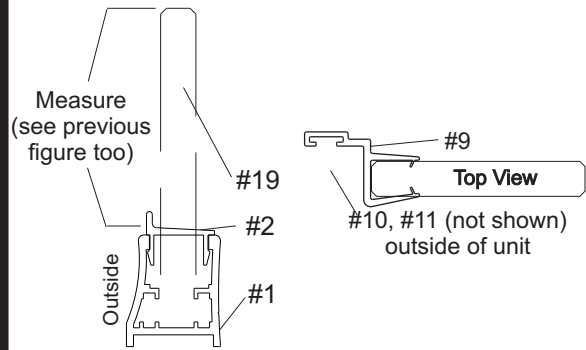


*** If using the Dry Seal, once the push in vinyl has been installed, it cannot be easily removed without being replaced.



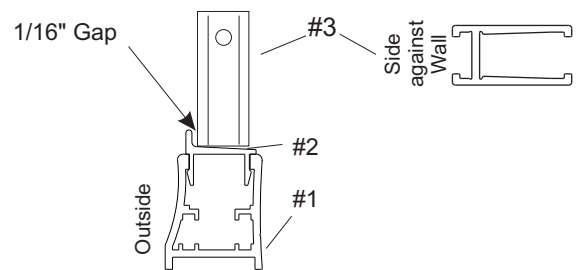
STEP 5 - Clear-Poly Latch Jamb (#9)

- * Measure from top of 3/8" Glass Panel #19 to top of the sloped surface of the Curb Filler #2.
- * Take Clear-Poly Latch Jamb assembly, and remove the Bulb Seal and Strike Plate, set aside for later step.
- * Cut Clear-Poly Latch #9 to above dimension using a 24 tooth hatch-saw. Power saw may damage latch. Recommended: notch the Clear-Poly Latch at bottom to clear the Panel Sill #5 (trim legs up 3/16").
- * Apply the Clear-Poly Latch Jamb on edge of Glass with latch inside unit ensuring it is flush with the top of the Fixed panel.



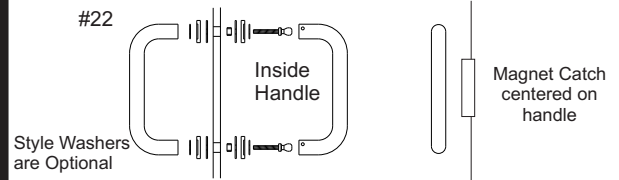
STEP 6 - Attach Door-Side Wall Channel (#3)

- * Set door-side Wall Channel #3 in place against the door side wall, on top of the Curb Filler.
- * Gap the bottom of the wall channel 1/16" from the vertical water dam of the Curb Filler (This will allow the room for the Door assembly to slide over.)
- * Plumb Wall Channel, mark the hole locations on wall and remove Wall Channel.
- * Drill holes with 3/16" bit, insert 3 - #24 Wall Anchors, re-install Wall channel and secure with 3 - #23 Screws.



STEP 7 - Door Assembly / Pre-Hanging Prep

- * Attach Pull - Handle #22 to Door.
- * Dry run the position of Magnetic Catch Assembly, #27, #28 and mark location with marker on glass.
- * Apply small bead of silicone inside Catch Assembly and work onto edge of glass at mark. Let silicone dry.

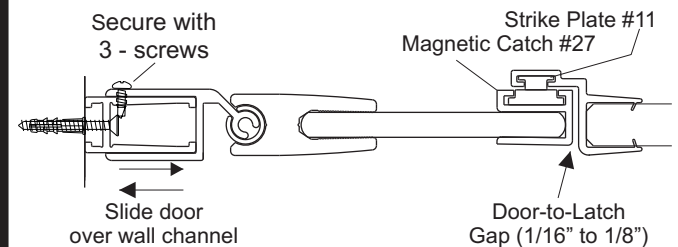


STEP 8 - Hang Door Assembly

- * Slide door assembly over the Wall Channel (Step 6).
- * Adjust door until top edge of the door is level and flush with top of 3/8" Glass Panel.
- * Also ensure door-to-latch gap is consistent from bottom to top.
- * When aligned, secure Door Assembly to Wall Channel with 3 - #26 screws using factory pilot holes in the Hinge Jamb.

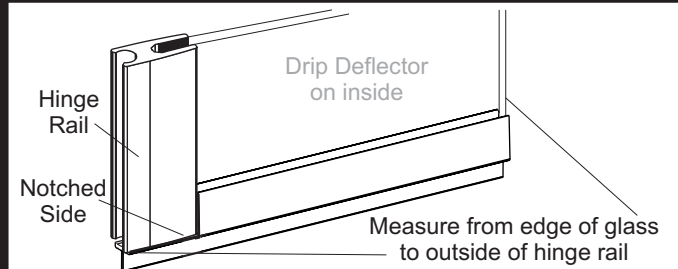
Finish Latch

- * Temporarily slide Strike Plate #11 into Clear-Poly Latch #6, align with Mag Catch #27.
- * Mark top and bottom of Strike Plate onto Latch.
- * Marks and cut Bulb Seal #10 to proper length.
- * From top of latch, re-insert bottom bulb seal, strike and top seal. Dabs of silicone may be required to secure Bulb Seals and Strike in place. Hold with Painters tape while drying.



STEP 8 - Bottom Sweep Fitting (#21)

- * Measure the Door Glass including Hinge Rail.
- * Subtract 1/16" and cut the Bottom sweep to this length. IMPORTANT: The sweep is notched on both ends. You must leave the notch that goes under the Hinge Rail for your door. Cut off the end with the notch you don't need.
- * Trim the inside deflector 3/8" so it will clear the Latch Jamb when door is closed.



STEP 10 - Final Sealing / Siliconing the Unit (let dry for 24 hours before use)

- * On the outside of the unit, run a bead of silicone down both walls and across the bottom where the metal meets the walls and base.
- * Apply a dab of silicone at the bottom of the latch jamb where it meets the Curb Filler.

Installation Instructions

Siliconing Glass-to-Glass Joints

1. Both pieces of glass must be free of grease and other contaminants for best silicone adhesion and strongest joint.
2. Make sure that both pieces are in their final positions, with even gap and sight lines. Temporarily secure panels using tape or other devices to stabilize panels as pressure is applied to the joint during caulking.
3. Using 2" (best) wide low adhesion painters or transfer tape, tape off both sides of the joint on the inside and outside.
4. Begin sealing the joint from the inside of the shower. You will use the inside corner to help guide the caulking gun. Start at the top and work your way down. The silicone must flow into the joint completely filling the void with excess silicone coming out on the outside of the joint. Any air pockets left in the joint will be visible if not removed.
5. From the inside of the shower, remove the excess silicone from both sides of the joint. Begin "tooling" the silicone by continually running a finger or similar tool down the joint on the inside and outside until the joint is uniform and smooth. Final tooling is done with a wet finger or tool. This will help feather out the joint.
6. Before the silicone get tacky, carefully remove the tape taking care not to get silicone on the surface of the glass panels. Let silicone cure for 24 hours for maximum adhesion and strength.

TAPE ON OUTSIDE OF JOINT NOT SHOWN

