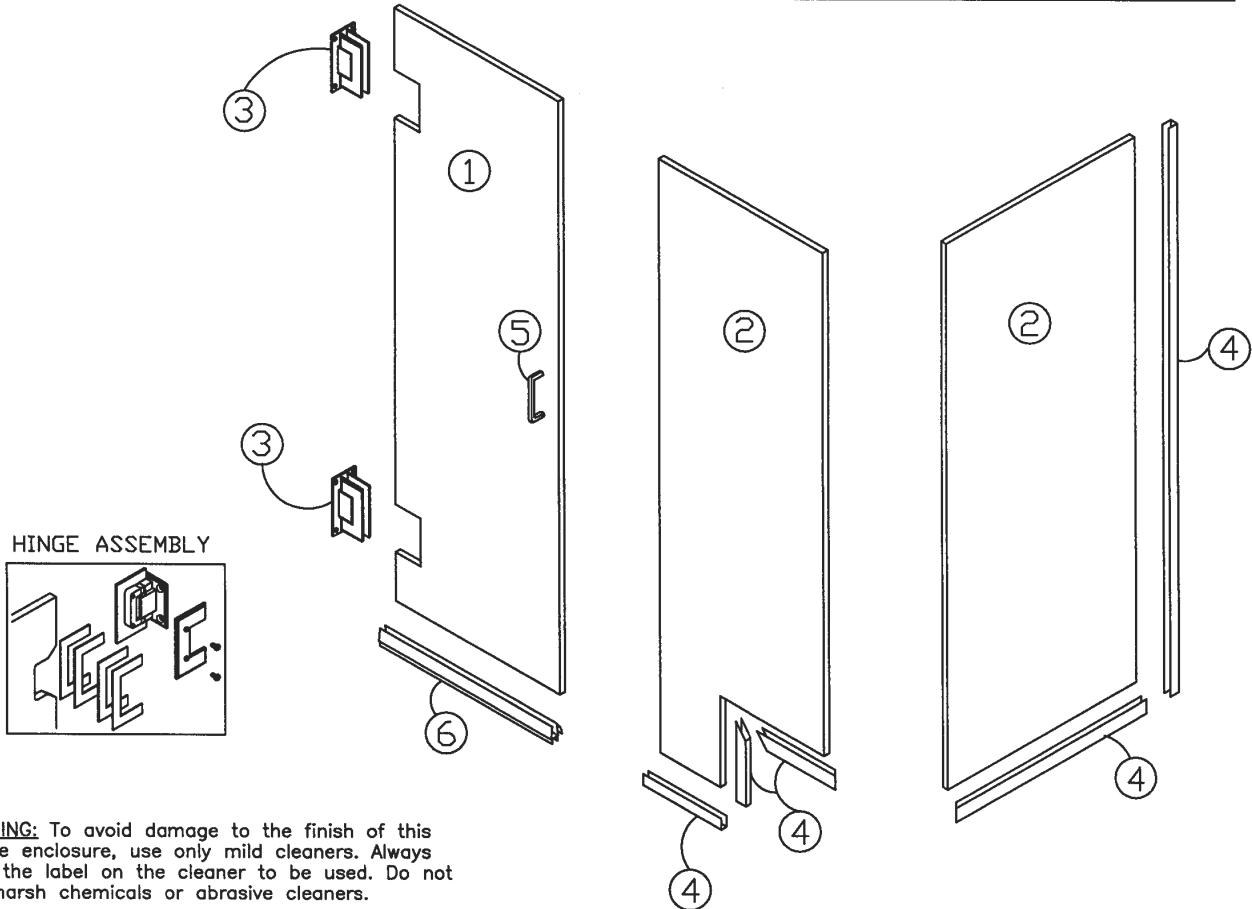


# Installation Instruction

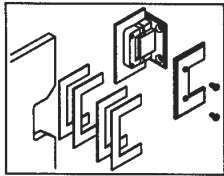
## HLSD290 (1/2-in), ELSD290 (3/8-in) or QLSD290 (1/4-in)

### WITH NOTCHED PANEL AND STEP RETURN

**WARNING:** This is tempered glass. When working with glass, protect the edges at all times. Do not set the edge of the glass directly on any hard surface. Protect all of the edges from impact with with hard surface or object.



HINGE ASSEMBLY



**WARNING:** To avoid damage to the finish of this deluxe enclosure, use only mild cleaners. Always read the label on the cleaner to be used. Do not use harsh chemicals or abrasive cleaners.

\* PLEASE NOTE: Before beginning the installation, read the instructions and check that the parts contained in the carton and hardware package match those parts listed below. If you should find any discrepancies please contact HOLCAM SALES at 800-843-3332





#### TOOLS REQUIRED

1. Approved bathroom silicone sealant and Caulking Gun
2. 5/32" allenhead wrench
3. Philips head screwdriver
4. Wood shims (wedged shape)
5. Drill motor w/ (9/64" , 1/4" & 3/16" drill bits)
6. Painters masking tape
7. Hacksaw
8. Level
9. Mill File

#### PARTS LIST

1. Glass door
2. Glass panel
3. Eurolite Wall Mount Hinge Assembly
4. U-Channel
5. Handle
5. Vinyl Sweep

#### ASSEMBLY HARDWARE

ITEM	NAME	QTY.
1.	 10 x 2 Screws	
2.	 8 x 1-1/2 Screws	
3.	Plastic Anchor 	
4.	3/8" U-Channel 	
5.	Adjusting Blocks	

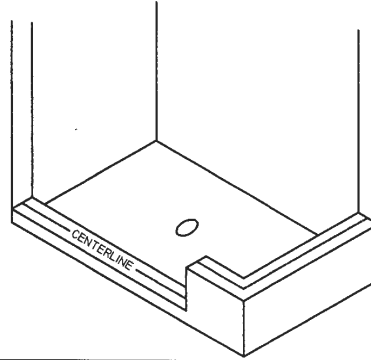
REV 1/2011

# Installation Instruction

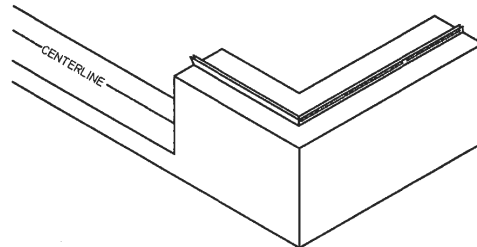
## HLSD290 (1/2-in), ELSD290 (3/8-in) or QLSD290 (1/4-in)

### WITH NOTCHED PANEL AND STEP RETURN

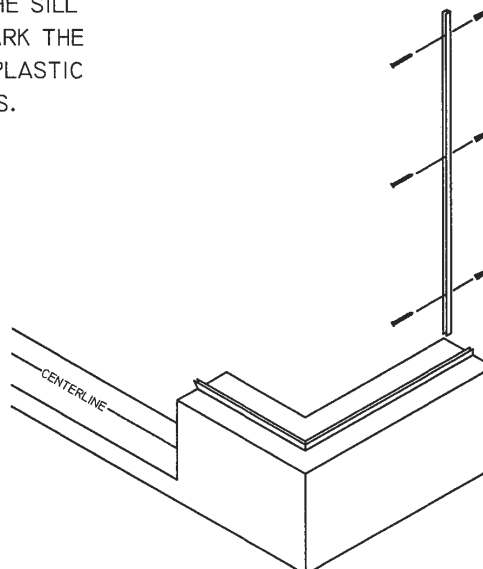
1. MARK THE CENTERLINE OF SILL LIGHTLY IN PENCIL.



2. POSITION THE BOTTOM CHANNEL ON THE SILL CENTERED ON PENCIL MARK AND PUSHED UP AGAINST THE WALL. MARK THE MOUNTING HOLE LOCATIONS. DRILL 3/16" HOLES AND INSERT PLASTIC ANCHORS. SQUIRT A LITTLE DAB OF SILICONE IN AND AROUND EACH ANCHOR. SECURE CHANNEL TO SILL WITH #8x1-1/2" SCREWS. SEAL SCREW HEADS WITH A LIBERAL COATING OF SILICONE. POSITION BOTTOM CHANNEL FOR THE FRONT PANEL ON SILL CENTERED ON THE PENCIL MARK WITH THE MITERED CORNERS TOGETHER. MARK HOLE LOCATIONS. DRILL 3/16" HOLES AND INSERT PLASTIC ANCHORS. SQUIRT A LITTLE DAB OF SILICONE IN AND AROUND EACH ANCHOR. SECURE CHANNEL TO SILL WITH #8x1-1/2" SCREWS. SEAL SCREW HEADS WITH A GENEROUS AMOUNT OF SILICONE.



3. CENTER THE WALL CHANNEL ABOVE THE U-CHANNEL ON THE SILL PUSHED UP AGAINST THE WALL. PLUMB THE CHANNEL AND MARK THE MOUNTING HOLE LOCATIONS. DRILL 3/16" HOLES AND INSERT PLASTIC ANCHORS. SECURE CHANNEL TO WALL WITH #8x1-1/2" SCREWS.

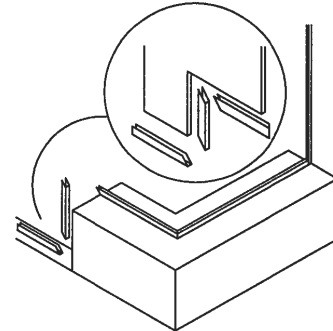
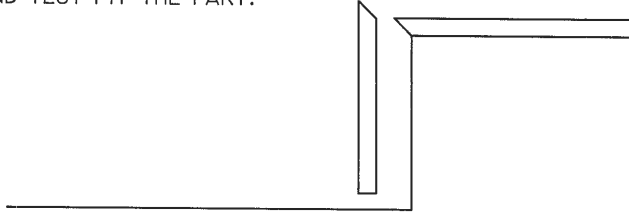


# Installation Instruction

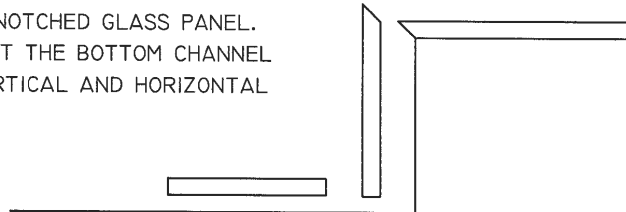
## HLSD290 (1/2-in), ELSD290 (3/8-in) or QLSD290 (1/4-in)

### WITH NOTCHED PANEL AND STEP RETURN

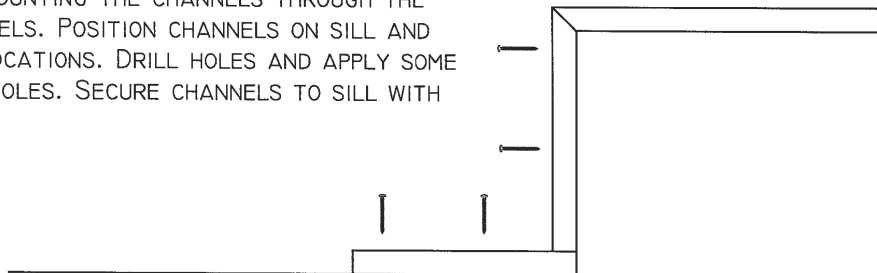
4A. MEASURE FROM THE TOP OF THE POINT OF THE CHANNEL ON THE TOP OF THE STEP DOWN TO THE TOP OF THE SILL. MEASURE AND MARK THE CHANNEL FOR THE VERTICAL FACE OF THE STEP. CUT 45° MITER AND TEST FIT THE PART.



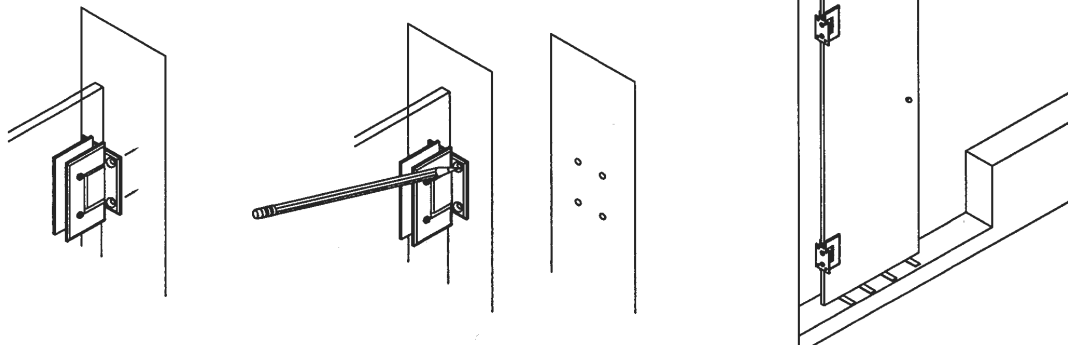
4B. MEASURE THE WIDTH OF THE LEG OF THE NOTCHED GLASS PANEL. MEASURE AND MARK THE BOTTOM CHANNEL. CUT THE BOTTOM CHANNEL TO SIZE AT THE SQUARE END. TEST FIT THE VERTICAL AND HORIZONTAL CHANNELS FOR A PROPER FIT. TRIM AS NEEDED.



4C. DRILL THE HOLES FOR MOUNTING THE CHANNELS THROUGH THE BOTTOM WALL OF THE CHANNELS. POSITION CHANNELS ON SILL AND MARK THE MOUNTING HOLE LOCATIONS. DRILL HOLES AND APPLY SOME SILICONE TO THE MOUNTING HOLES. SECURE CHANNELS TO SILL WITH #8x1-1/2" SCREWS.



5. PLACE 1/2" SHIMS ALONG THE SILL TO SET THE DOOR GLASS ON. SET THE DOOR ON THE SHIMS WITH THE HINGE BACKING PLATES AGAINST THE WALL. ADJUST THE SHIMS TO PROVIDE 3/8" SPACING BETWEEN THE BOTTOM EDGE OF THE DOOR GLASS AND THE HIGHEST POINT ON THE SILL. ALIGN DOOR WITH THE PANEL GLASS. MARK MOUNTING HOLE LOCATIONS. REMOVE DOOR AND SET ASIDE ON A PADDED SURFACE SUCH AS CARDBOARD, CARPET ETC. DRILL 1/4" HOLES THROUGH FINISH WALL MATERIAL ONLY. THEN DRILL 9/64" PILOT HOLES CENTERED IN THE 1/4" HOLES INTO THE WOOD STUD FOR THE #10x2" SCREWS.

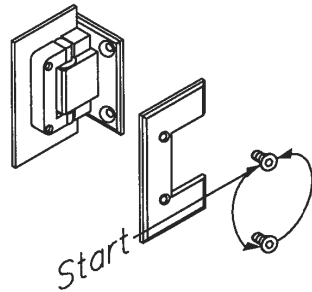


# Installation Instruction

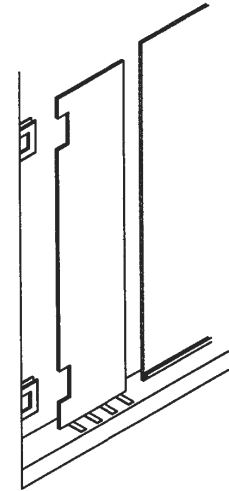
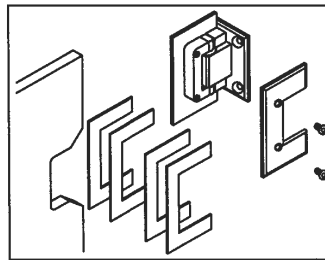
## HLSD290 (1/2-in), ELSD290 (3/8-in) or QLSD290 (1/4-in)

### WITH NOTCHED PANEL AND STEP RETURN

6. REMOVE THE HINGES FROM THE DOOR GLASS. MOUNT HINGES TO WALL WITH #10X2" SCREWS. INSTALL THE HINGES SO THAT THE CLAMPING SCREWS ARE ON THE INSIDE OF THE SHOWER. INSTALL THE RUBBER GASKETS ON EACH HINGE. POSITION NOTCH IN GLASS INTO HINGE. INSTALL REMAINING RUBBER GASKETS AND THE BACKING PLATE OF THE HINGE WITH THE HEX HEAD SET SCREWS. ADJUST GLASS PANELS TO HAVE 3/16" SPACING BETWEEN THEM. PLUMB GLASS AND TIGHTEN THE SET SCREWS IN THE SEQUENCE SHOWN. REMOVE SHIMS AND CHECK DOOR FOR PROPER OPERATION.



HINGE ASSEMBLY

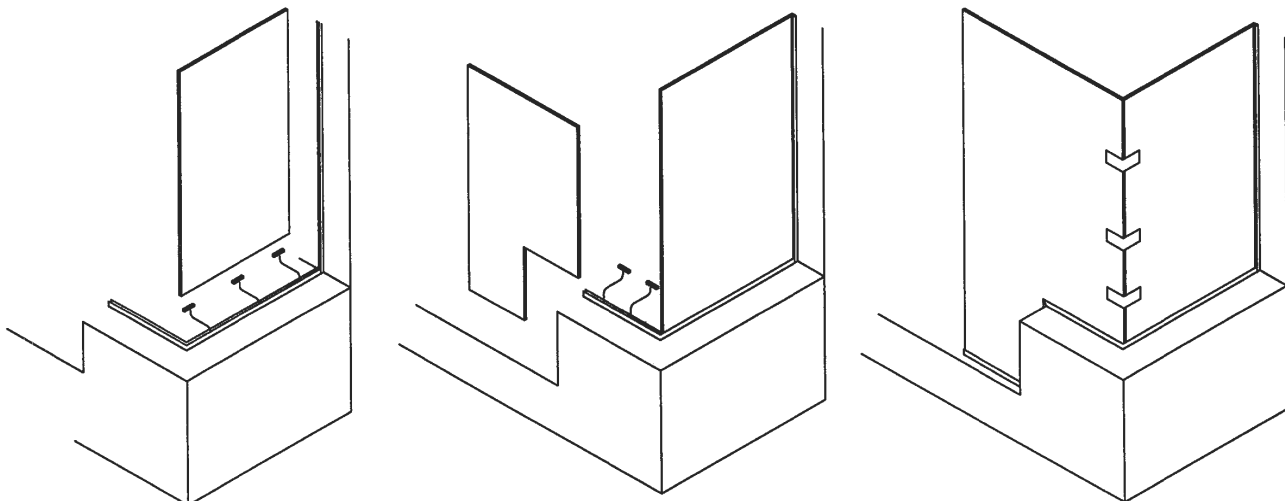


NOTE: ALTERNATE THE TIGHTENING SEQUENCE AS NEEDED TO ACHIEVE A GOOD HOLD ON THE GLASS.

7. PLACE 1/4" SETTING BLOCKS INSIDE BOTH BOTTOM CHANNELS. POSITION END PANEL GLASS IN BOTTOM CHANNEL AND WALL CHANNEL. GLASS SHOULD BE PLUMB AND BE EVEN WITH THE TOP OF THE WALL CHANNEL. POSITION FRONT GLASS PANEL IN BOTTOM CHANNEL WITH THE CORNERS OF THE GLASS BUTTED TOGETHER. CHECK PANELS FOR PLUMB AND MAKE SURE TOP EDGES OF GLASS PANELS ARE ALIGNED. TAPE CORNER OF GLASS TOGETHER TO TEMPORARILY HOLD PANELS IN PLACE FOR SILICONE APPLICATION.

USE TAPE OF SUFFICIENT STRENGTH TO HOLD THE POSITION OF THE GLASS.

NOTE:

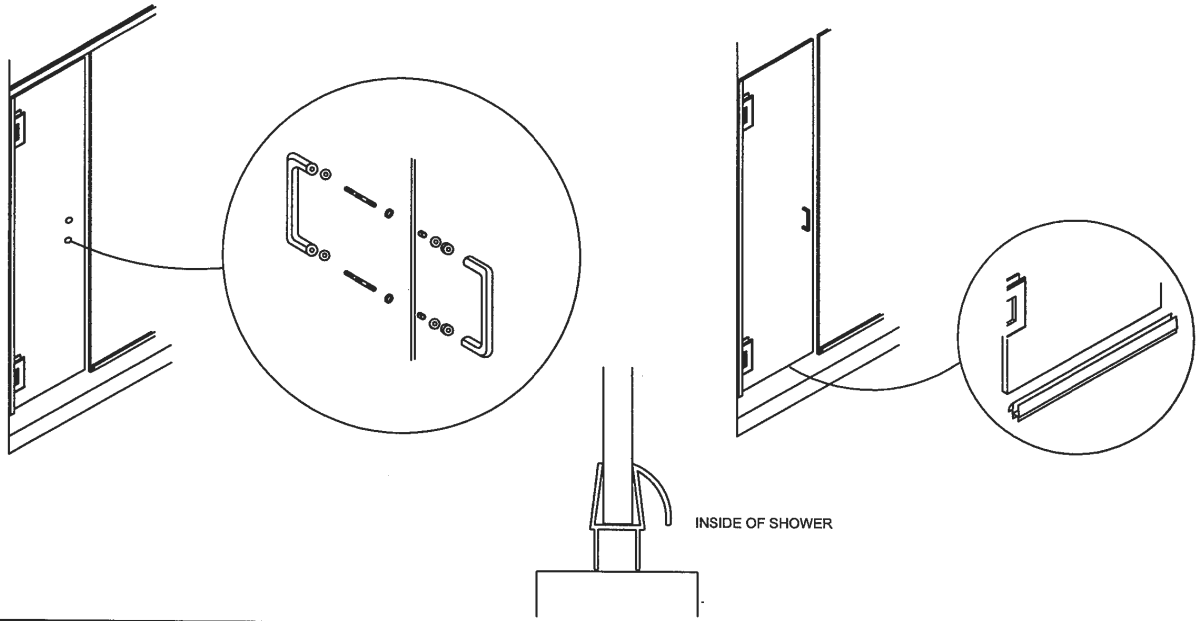


# Installation Instruction

## HLSD290 (1/2-in), ELSD290 (3/8-in) or QLSD290 (1/4-in)

### WITH NOTCHED PANEL AND STEP RETURN

8. INSTALL THE HANDLE ASSEMBLY THROUGH HOLES IN DOOR GLASS USING THE PLASTIC SHIMS AND BUSHINGS. MEASURE THE WIDTH OF THE DOOR GLASS AT THE BOTTOM EDGE. CUT THE VINYL SWEEP TO SIZE. INSTALL OVER THE EDGE OF THE GLASS WITH THE HOOD TOWARDS THE INSIDE OF THE SHOWER.



9. CLEAN THE UNIT AND RUN A CONTINUOUS BEAD OF SILICONE WHERE THE GLASS AND U-CHANNEL MEET ON BOTH SIDES. ALLOW 24 HOURS CURING TIME BEFORE USING THE SHOWER.

