

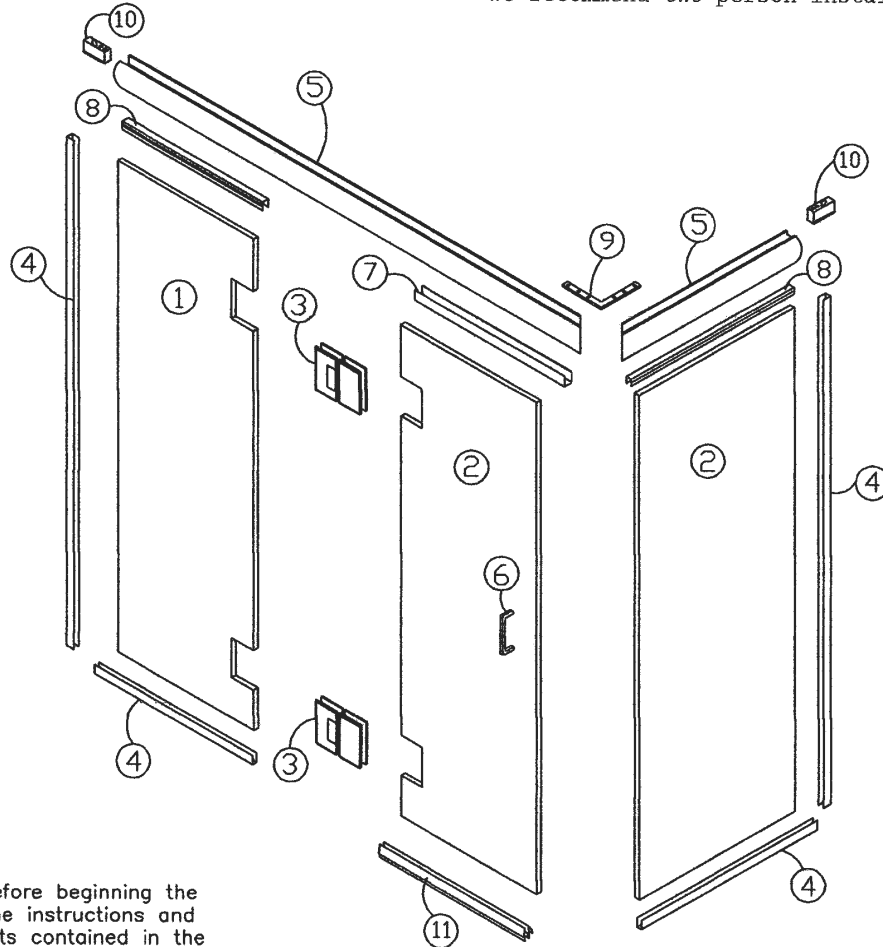
# Installation Instruction

## HLSD290 (1/2-in), ELSD290 (3/8-in) or QLSD290 (1/4-in)

### WITH HEADER AND DOOR HINGED OFF PANEL

**WARNING:** To avoid damage to the finish of this deluxe enclosure, use only mild cleaners. Always read the label on the cleaner to be used. Do not use harsh chemicals or abrasive cleaners.

**PLEASE NOTE:** When working with glass always protect the edge. Do not set the glass directly on the floor or any other hard surface. We recommend two person installation.



\* PLEASE NOTE: Before beginning the installation, read the instructions and check that the parts contained in the carton and hardware package match those parts listed below. If you should find any discrepancies please contact HOLCAM SALES at 800-843-3332

#### TOOLS REQUIRED

1. Tube of approved bathroom silicone sealant
2. 5/32" allenhead wrench
3. Philips head screwdriver
4. Wood Blocks
5. Drill motor w/ (9/64" & 1/4" drill bits)
6. Painters masking tape
7. Hacksaw
8. Level
9. Mill file

#### PARTS LIST

1. Glass door
2. Glass panel
3. Eurolite Hinge Assembly w/ required rubber shims
4. U-Channel
5. Header
6. Door Handle with Shim
7. Crown Filler
8. Vinyl Glazing Channel
9. Corner Bracket
10. Header End Bracket
11. Vinyl Sweep

#### ASSEMBLY HARDWARE

ITEM	NAME	QTY.
------	------	------



- |    |               |  |
|----|---------------|--|
| 1. | 10 x 2 Screws |  |
|----|---------------|--|



- |    |                |  |
|----|----------------|--|
| 2. | Plastic Anchor |  |
|----|----------------|--|



- |    |                |  |
|----|----------------|--|
| 3. | 3/8" U-Channel |  |
|----|----------------|--|

- |    |                  |  |
|----|------------------|--|
| 4. | Adjusting Blocks |  |
|----|------------------|--|

REV3/2010

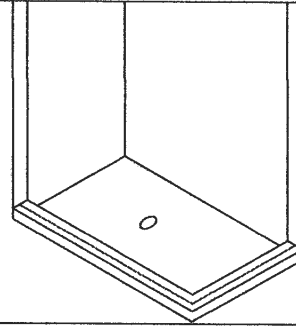
# Installation Instruction

## HLSD290 (1/2-in), ELSD290 (3/8-in) or QLSD290 (1/4-in)

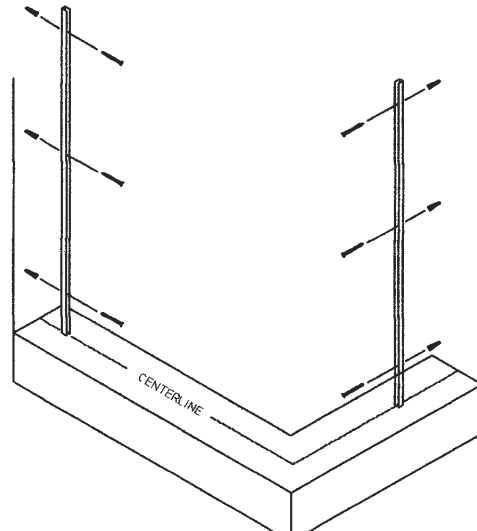
### WITH HEADER AND DOOR HINGED OFF PANEL

#### MODEL EL-35 WITH HEADER INSTALLATION INSTRUCTIONS

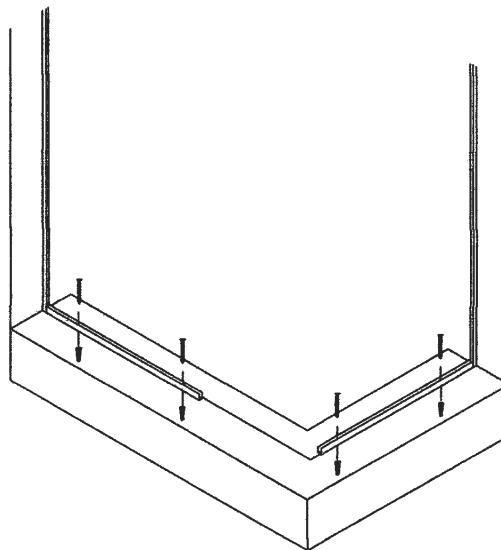
1. MARK THE CENTERLINE OF THE SILL LIGHTLY IN PENCIL.



2. CENTER THE WALL CHANNEL ON THE PENCIL MARK ON SILL PUSHED UP AGAINST WALL. PLUMB CHANNEL AND MARK MOUNTING HOLE LOCATIONS. DRILL 1/4" HOLES AND INSERT PLASTIC ANCHORS. SECURE CHANNEL TO WALL WITH #10x2" SCREWS. REPEAT FOR OPPOSITE JAMB.



3. POSITION THE BOTTOM CHANNEL ON THE SILL CENTERED ON PENCIL MARK AND PUSHED UP AGAINST THE WALL CHANNEL. MARK THE MOUNTING HOLE LOCATIONS. DRILL 1/4" HOLES AND INSERT PLASTIC ANCHORS. SQUIRT A LITTLE DAB OF SILICONE IN AND AROUND EACH ANCHOR. SECURE CHANNEL TO SILL WITH #10x2" SCREWS. SEAL SCREW HEADS WITH A LIBERAL COATING OF SILICONE. POSITION BOTTOM CHANNEL FOR THE FRONT PANEL ON SILL CENTERED ON THE PENCIL MARK WITH THE MITERED CORNERS TOGETHER. MARK HOLE LOCATIONS. DRILL 1/4" HOLES AND INSERT PLASTIC ANCHORS. SQUIRT A LITTLE DAB OF SILICONE IN AND AROUND EACH ANCHOR. SECURE CHANNEL TO SILL WITH #10x2" SCREWS. SEAL SCREW HEADS WITH A GENEROUS AMOUNT OF SILICONE. REPEAT FOR OPPOSITE SIDE.

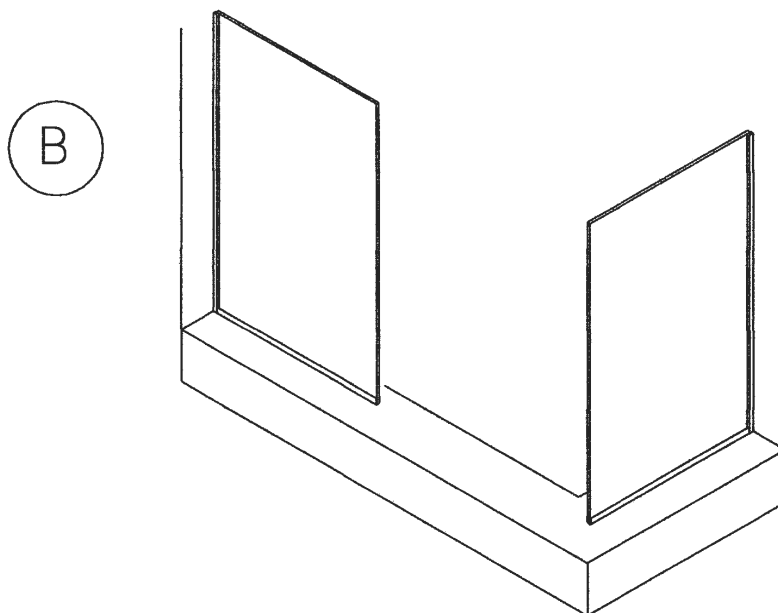
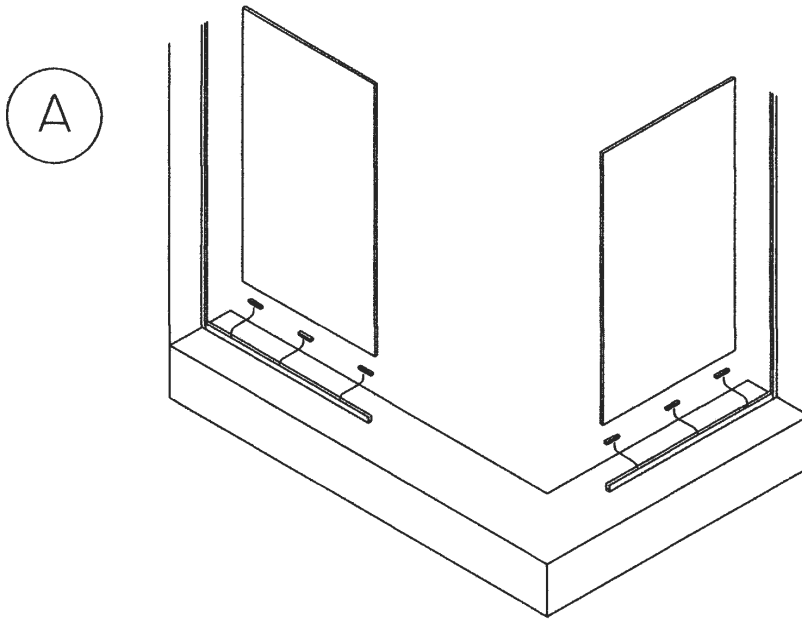


## Installation Instruction

### HLSD290 (1/2-in), ELSD290 (3/8-in) or QLSD290 (1/4-in)

#### **WITH HEADER AND DOOR HINGED OFF PANEL**

4. PLACE 1/4" SETTING BLOCKS INSIDE BOTH BOTTOM CHANNELS. POSITION THE END PANEL GLASS IN THE BOTTOM AND WALL CHANNEL. GLASS SHOULD BE PLUMB AND RISE ABOVE THE WALL CHANNEL BY 3/8". POSITION FRONT GLASS PANEL IN BOTTOM AND WALL CHANNEL. CHECK PANELS FOR PLUMB AND MAKE SURE TOP EDGES OF GLASS PANELS ARE ALIGNED. GLASS SHOULD PROTRUDE ABOUT 1/8" PAST END OF U-CHANNEL.



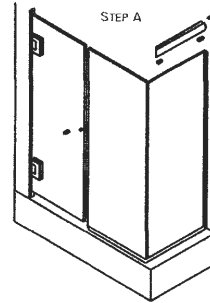
# Installation Instruction

## HLSD290 (1/2-in), ELSD290 (3/8-in) or QLSD290 (1/4-in)

### WITH HEADER AND DOOR HINGED OFF PANEL

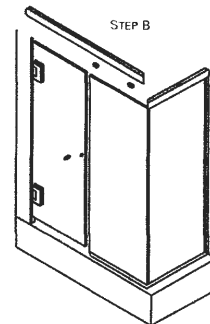
PLEASE NOTE: THE FOLLOWING STEPS APPLY TO HINGE ON WALL AND HINGE ON PANEL.

5. (STEP A) MEASURE TOP EDGE OF GLASS FROM WALL TO THE CORNER OF THE GLASS PANELS AND ADD 1/2". MEASURE THE LONG SIDE OF THE HEADER AND CUT HEADER AT SQUARE END. PLACE TWO SMALL PIECES OF GLAZING VINYL ON TOP EDGE OF GLASS. POSITION HEADER DOWN OVER THE TOP EDGE OF THE END PANEL.

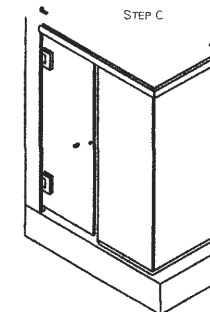


NOTE: SLIDE THE WALL MOUNTING BRACKETS INTO THE HEADER BEFORE INSTALLING THE FRONT HEADER.

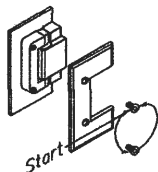
(STEP B) MEASURE FROM OPPOSITE WALL TO THE CORNER OF THE PANEL HEADER. CUT FRONT HEADER TO LENGTH AT SQUARE END. PLACE TWO SMALL PIECES OF GLAZING VINYL OVER THE TOP EDGE OF THE FRONT GLASS PANEL. POSITION FRONT HEADER DOWN OVER TOP EDGE OF PANEL GLASS. CHECK THE HEADERS TO MAKE SURE THEY ARE LEVEL.



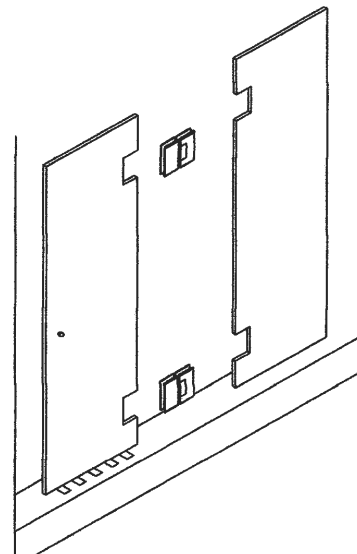
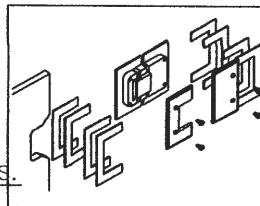
(STEP C) PLACE THE WALL MOUNTING BRACKETS INSIDE THE TOP CHANNEL OF THE HEADER. MARK THE HOLE LOCATIONS ON THE WALL AND WHERE THE BRACKET WILL BE ATTACHED TO THE HEADER. REMOVE THE HEADERS AND ASSEMBLE WITH THE CORNER BRACKET AND #8x3/8" SCREWS. DRILL 9/64" HOLES THROUGH HEADER TO ATTACH THE WALL MOUNTING BRACKETS. SECURE THE BRACKETS TO THE HEADER WITH #8x3/8" SCREWS. DRILL 1/4" HOLES AT WALL MOUNTING LOCATIONS AND INSERT PLASTIC ANCHORS. CUT FULL LENGTH GLAZING VINYL FOR THE TOP OF THE GLASS PANELS AND REINSTALL HEADER ASSEMBLY. SECURE TO WALL WITH #10x2" SCREWS.



6. PLACE 1/2" SHIMS ALONG SILL TO SET DOOR GLASS ON. INSTALL THE HINGES ON THE PANEL SIDE FIRST USING TWO RUBBER GASKETS ON EACH HINGE. (USE TWO GASKETS PER SIDE FOR 3/8" GLASS, ONE GASKET PER SIDE FOR 1/2" GLASS) POSITION NOTCH IN GLASS INTO HINGE. INSTALL TWO REMAINING RUBBER GASKETS AND THE BACK PLATE OF THE HINGE WITH THE HEX HEAD SET SCREWS. ADJUST GLASS PANELS TO HAVE 1/8" SPACING BETWEEN THEM. PLUMB GLASS AND TIGHTEN SET SCREWS IN SEQUENCE SHOWN. REMOVE SHIMS AND CHECK DOOR FOR PROPER OPERATION.



HINGE ASSEMBLY



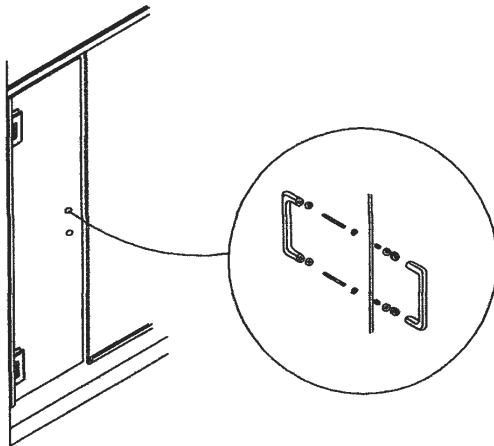
NOTE: REPEAT THE TIGHTENING SEQUENCE AS NEEDED TO ACHIEVE A GOOD HOLD ON THE GLASS.

# Installation Instruction

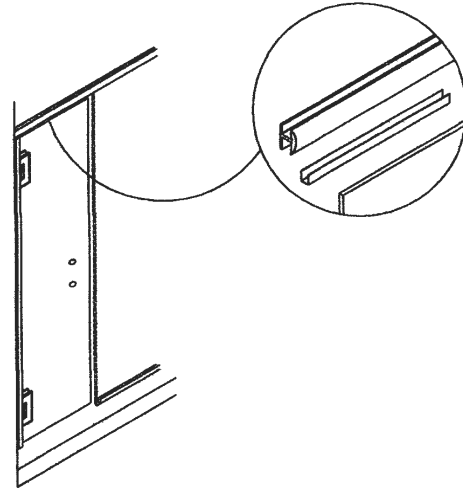
## HLSD290 (1/2-in), ELSD290 (3/8-in) or QLSD290 (1/4-in)

### **WITH HEADER AND DOOR HINGED OFF PANEL**

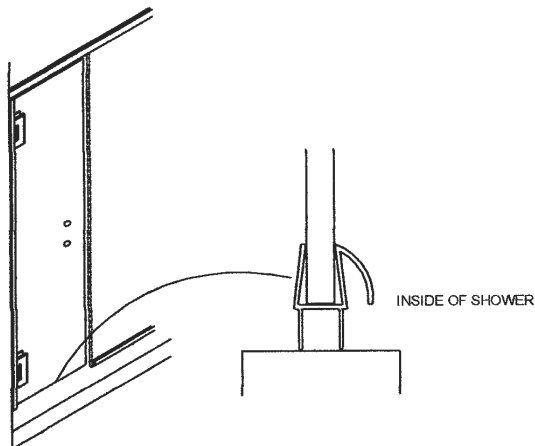
7. INSTALL THE HANDLE ASSEMBLY THROUGH HOLES IN DOOR GLASS USING THE PLASTIC SHIMS AND BUSHINGS.



8. MEASURE ABOVE DOOR BETWEEN THE HINGE JAMB AND THE PANEL. CUT THE CROWN FILLER TO SIZE AND SNAP INTO THE BOTTOM CHANNEL OF THE HEADER.



9. MEASURE THE WIDTH OF THE DOOR PANEL AT THE BOTTOM EDGE. CUT THE VINYL SWEEP TO SIZE. INSTALL OVER THE EDGE OF THE GLASS WITH THE HOOD TOWARDS THE INSIDE OF THE SHOWER.



10. RUN A CONTINUOUS BEAD OF SILICONE ON BOTH SIDES OF THE STATIONARY PANELS WHERE THE GLASS AND U-CHANNEL MEET. ALLOW THE SILICONE TO CURE FOR 24 HOURS BEFORE USING SHOWER.

