

# Installation Instructions

## Models: TRTE290 / TRSE290 ECTE290 / ECSE290



### 3/8" Frameless Slider with 180° & 90° Panels

Scan this Barcode for Parts Bag BP.5005.NLT



Thank you for purchasing this outstanding product!  
This booklet will help you install your units safely and successfully.

IMPORTANT: Warnings and General Shower Door Information  
Page 2



HEAVY



CAUTION

**SAFETY  
WARNINGS:**

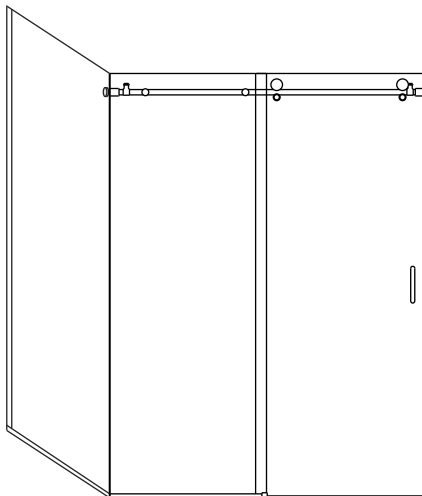


SHARP



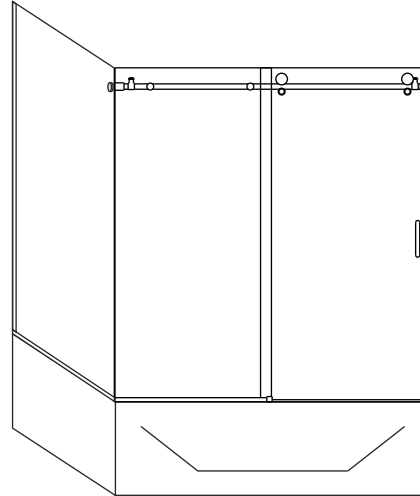
GLASS FRAGILE

Pick a unit below that best represents your configuration.



**TRSE290  
ECSE290**

Shower Slider w/180° & 90° Panels



**TRTE290  
ECTE290**

Tub Slider w/180° & 90° Panels

#### General Required Tools

- \* Pencil or water soluble felt pen
- \* Hacksaw with 24 tooth blade
- \* Metal file (smooth sharp edges)
- \* Tape measure
- \* Drill, electric or battery

- \* #2 Phillips Screw driver
- \* 3/16", 1/4", 5/16 drill bits
- Carbide tip
- \* Caulking gun
- \* Clear 100% Silicone (recommended)

- \* 4 ft. Level
- \* Rubber mallet
- \* Razor knife
- \* Blue painters tape
- Booklet: MM.5005



HEAVY



CAUTION

## SAFETY WARNINGS:



SHARP



GLASS FRAGILE

### CAUTION - READ THOROUGHLY BEFORE INSTALLATION

**Follow instructions:** Instructions must be read and followed carefully to reduce the risk of serious injury during and after installation. Any deviation from these instructions can create safety hazards.

**Tempered Glass:** Agalite enclosures glass panels are safety tempered to conform to general building codes. The intent of tempering is to reduce the risk of injury. Be careful handling tempered glass. Pay special attention to protect all edges of the glass from contact with hard surfaces.

#### General Notes:

- **Exposed ends of aluminum** and other hard components can be rough, sharp or jagged due to the processes of cutting, drilling, notching, etc. Sharp ends must be deburred, smoothed or rounded by the installer before installation. Failure to do so could result in serious injury to installer and user of the enclosure.
- **Sliding and swinging glass doors** hitting any unprotected bathroom obstruction or metal or glass component of the shower door itself, may indicate improper installation and could lead to glass breakage or serious injury. The installer must correct the deficiencies before allowing the door to be used.
- **Towel Bars, handles and other accessories** are in no way considered to be grab bars or other bracing or fall prevention mechanisms. The intent of these accessories is to facilitate proper operations and esthetics of the unit.

### Shower Door Facts

**Shower Doors are Not Watertight:** Depending on the type of shower door selected, a properly designed and installed shower enclosures will protect areas outside of the enclosure from water damage under normal shower conditions to varying degrees. Excessive water pressure or directing the shower head or hand held sprays directly at doors or joints is not a normal shower conditions and can result a leak. The amount of water that can escape your shower varies by the type of shower as well. Heavy glass units with no or limited vinyl seals will allow water to escape under normal conditions. In general, the more metal and seals in the unit, the more water protection will be achieved.

**Drilling holes in horizontal surfaces:** Drilling holes to anchor horizontal sills and curbs to thresholds and tub decks is discouraged. Using masking tape or double-sided tapes to secure non-load bearing components during installation (permanently secured later with silicone/caulking) is one technique to help minimize potential of water leaking underneath flooring. These instructions do not recommend drilling holes on horizontal surfaces for this reason.

#### Metal Colors:

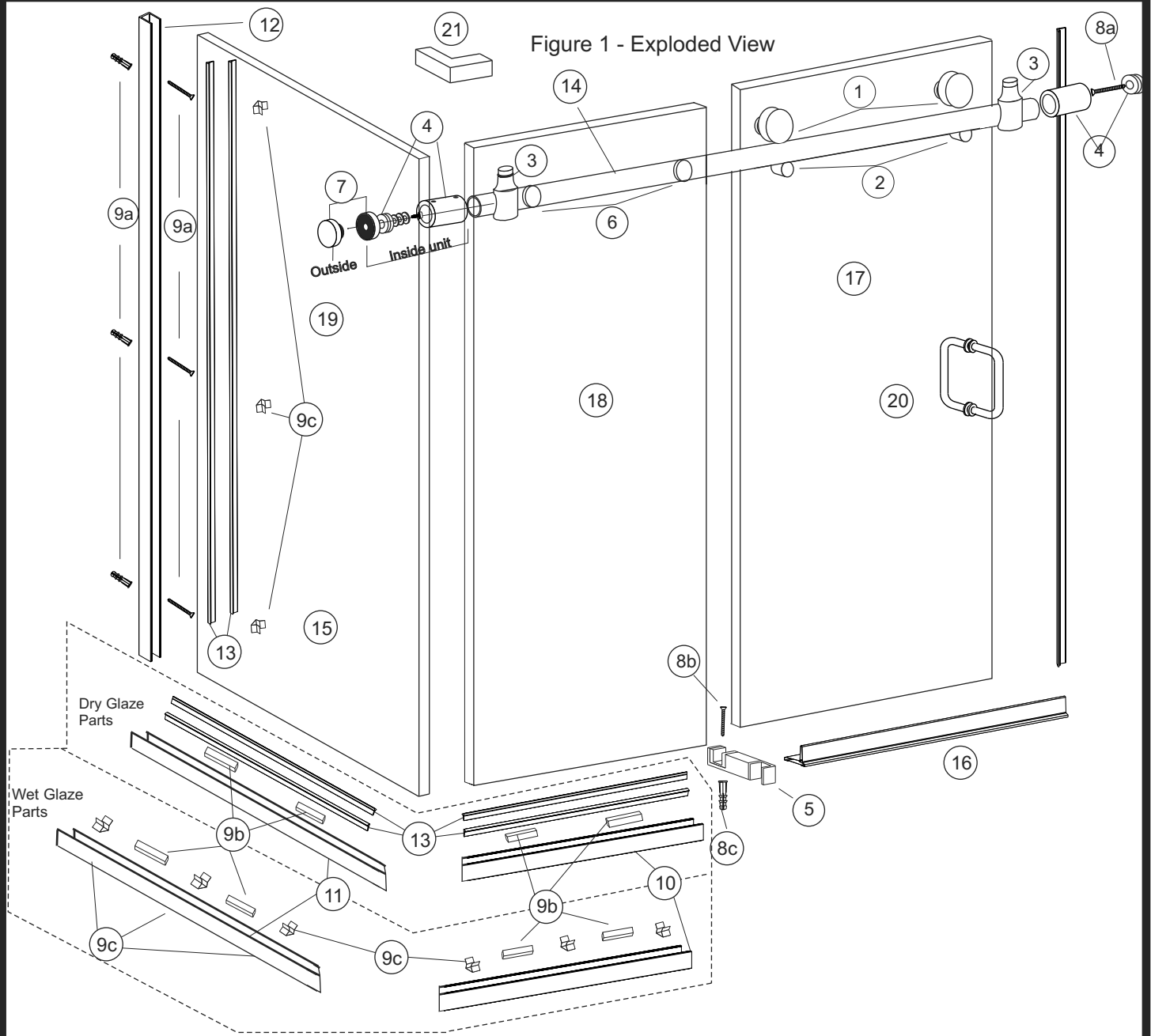
- **Anodized Aluminum:** The color of anodized Silver, Brushed Nickel, Satin Silver, Dark Bronze, and Gold anodized aluminum will vary between adjacent components because of variabilities within polishing, anodizing process and alloy composition. We make every effort to limit the variation; but, it is allowable and must be accepted.
- **Electro Plated Brass and Stainless Steel:** The color of Silver, Brushed Nickel, Satin Silver, Oil Rubbed Bronze, Dark Bronze, and Gold electro plated components will also vary. This is allowable. Most of these finishes are also "living finishes", meaning, they may change, wear, weather, show patina, oxidize, etc. over the life of the product. This is allowable.
- **Powder Coat:** This is a painting process and therefore can achieve the best color matching. Power coat paint, however, is less durable at joints of moving components and at edges that have been cut after the powder coat has cured. Some flaking or chipping in these areas are allowable.
- **All Metal:** Any metal component (and glass components as well) will have limited scratches and pits. We make every effort to limit them; but, they are allowable and must be accepted.

**Cleaning and Care:** refer to your owners manual for cleaning and care instructions.

# Installation Instructions

## Models: TRTE290 / TRSE290 ECTE290 / ECSE290

3/8" Frameless Slider w/ 180° & 90° Panels



### Parts List

#### HA.3101 HARDWARE PART BOX

- 1. HA.3001 - Roller Wheels ----- 2
- 2. HA.3002 - Anti Jump Knobs ----- 2
- 3. HA.3003 - Bumper Stops ----- 2
- 4. HA.3004 - Wall Collars / Pucks ---- 2
- 5. HA.3005 - Center Guide ----- 1
- 6. HA.3007 - Panel Fixers ----- 2
- 7. HA.3009 - 90° Connector ----- 1
- 8. BP.5001 - Parts Bag ----- 1
- 8a - M6 X 60mm Screw ----- 1
- 8b - M5 X 30mm Screw ----- 1
- 8c - M5 Wall Anchors ----- 1

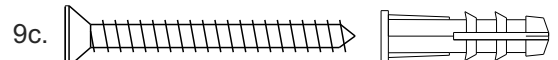
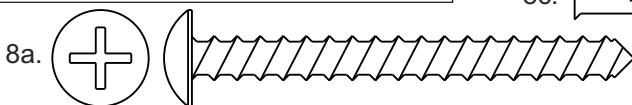
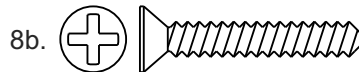
#### BP.5005.SIL - Parts Bag

- 9a - BP.3027.SIL Part Bag ----- 1
- 9b - BP.3028.NTL Setting Blocks ----- 2
- 9c - SP.2221.CLR Centering Clips----- 9
- 9d - MM.5005 Inst Sheet ----- 1

#### OTHER MAJOR COMPONENTS

- 10. EX.1018 - Panel Sill 180°----- 1
- 11. EX.1018 - Panel Sill 90° ----- 1
- 12. EX.1018 - Wall Channel ----- 1
- 13. VN.4031 - Snap Vinyl ----- 6
- 14. HA.30XX - Header Tube ----- 1
- 15. VN.4083.CLR - Vertical Bulb seal --- 1
- 16. VN.4304 - Soft Sill Dam Strip ----- 1
- 17. Sliding Panel ----- 1
- 18. Fixed Panel ----- 1
- 19. 90° Return Panel ----- 1
- 20. HA.2701 - Handle ----- 1
- 21. HA.2667 - 90° Sleeve over Clamp -- 1

Full Size Drawings:



*Extra screws may be provided for your convenience*

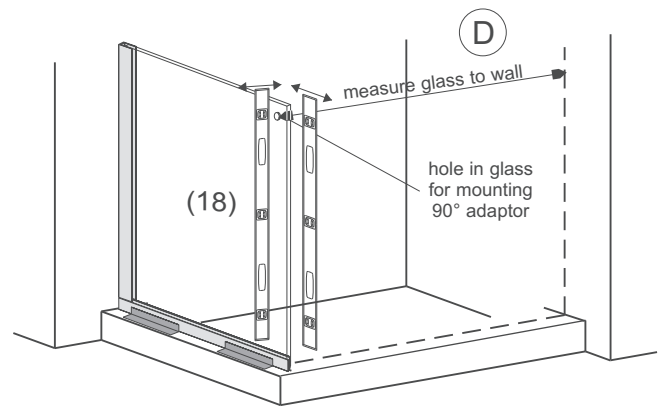
# Installation Instructions

## Models: TRTE290 / TRSE290 ECTE290 / ECSE290

3/8" Frameless Slider w/ 180° & 90° Panels

### STEP 4 - Install the 90° Glass Panel (18), detail D:

- \* Set the 90° Glass Panel (18) into the aluminum Sill (11) on the setting blocks and slide into the Wall Channel about 1/2".
- \* The top of the Glass Panel (18) should be flush with the top of the Wall Channel.
- \* Outside vertical edge of the panel must be plumbed leveled as shown with the arrow in Detail C.
- \* Adjust as necessary using set blocks or other shims. Do not permanently glaze the panel at this point.
- \* NOTE: The Snap Vinyl can be used to temporarily secure the glass panel into position even if you have chosen Wet Seal method.



### STEP 5 - Check Header Tube Length:

- \* Note: Your Header Tube may already be cut to size.
  - To check, ensure the glass panel is plumb and measure the opening from glass below the 90° adaptor/collar to the opposite wall and subtract 2".
  - If your header is this dimension go to STEP 6.
- \* If header is not cut to length See Detail C.
  - Follow calculations to the right to determine the amount to cut from each side.
  - Follow instruction in Detail E below to cut the header (14) the proper length while keeping holes in proper location to match to glass.

#### Check Header Length

$$\begin{aligned} &\text{Measured Header Length} \\ &\quad - (\text{Wall to Wall} - 2") \\ &= "D" \quad (\text{if } "D"=0, \text{ header is proper length}) \end{aligned}$$

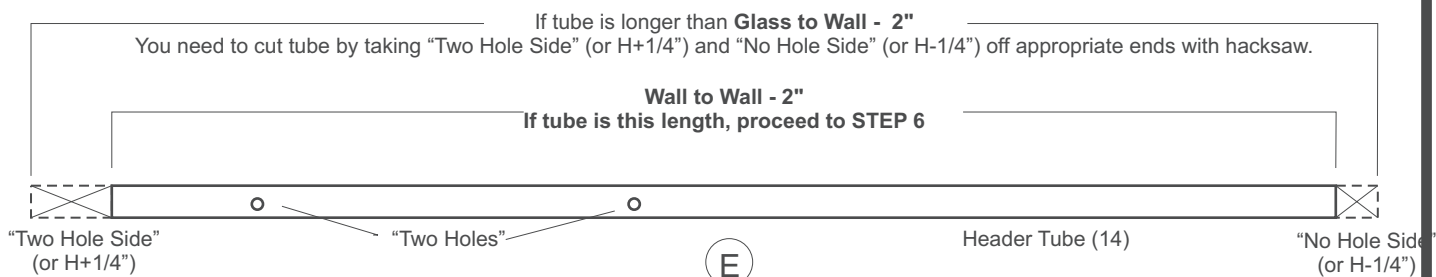
#### If the header's measured length is long:

$$\text{Take } "D" \text{ (from above)} \div 2 = "H"$$

No Hole Side → Cut "H" - 1/4" Off

Two Hole Side → Cut "H" + 1/4" Off

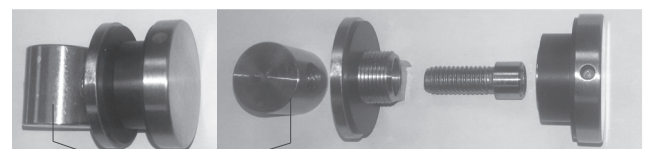
NOTE: Two Hole dimension will be 1/2" longer than than No Hole



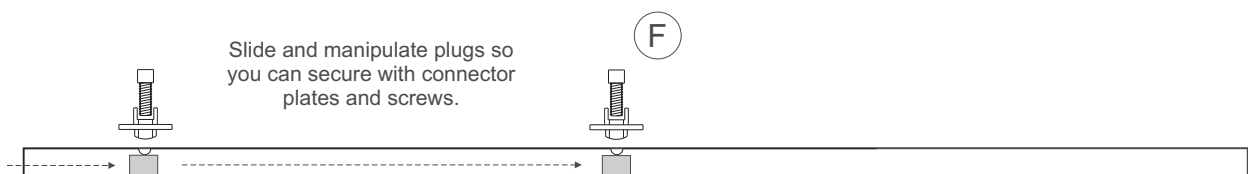
### STEP 6 - Install Panel Connectors on Header Tube:

- \* Orient Header Tube (14) so that the two holes are facing up.
- \* Insert a screwdriver into the center hole of the tube.
- \* Slide a Plug into tube stopping it with the screwdriver.
- \* Manipulate the plug so that the hole in the plug lines up with the hole in the tube.
- \* Put the screw through connector plate and into plug.
- \* Snug screws with the supplied Allen wrench.
- \* Repeat this procedure with the second hole closest to the end of the tube. See Detail D.

Panel Connector (6) (exploded)



Plug goes inside header tube.  
Align threaded plug holes with holes in header



# Installation Instructions

## Models: TRTE290 / TRSE290 ECTE290 / ECSE290

3/8" Frameless Slider w/ 180° & 90° Panels

### STEP 1 - Mark the Centerline Dimensions You Supplied When You Ordered Unit:

- \* Most parts are cut to size based on the dimension you supplied.
- \* As accurately as possible, mark the ordering dimension on to the opening with a pencil or temporary marker. See Detail A
- \* Make sure they are accurate.
- \* This will line you up on the front and back wall to start the installation.

### STEP 2 - Prepare Sill (11) and Wall Channel (12) for Installation (pick glazing method):

#### \* Prepare Bottom Sill (11):

- The Bottom Channel (11), may already be cut to size.
- If not, measure the width of the Fixed Glass Panel (15) and add 5/16". This dimension includes the long point of the miter.
- Cut the square end of the Panel Sill, (9) to this length.
- Insert two 1/8" Clear Setting Blocks (8b).

#### \* Choose either Dry or Wet method of glazing the glass into the channels. Reference Page 3 for component detail:

- DRY SEAL: Will use two pieces of Snap Vinyl (13) after Glass Panel is in final position.  
OR
- WET SEAL: In addition to the Setting Blocks, also insert three Centering Clips (9c) into the sill between setting blocks. You will have to silicone glaze both sides of the panel to the Bottom Channel after Panel is in final position.

### STEP 3 - Install Channels for 90° Fixed Panel (19):

#### \* Position the 90° Return Sill (11), detail B:

- Centered it on the pencil line and butted to the wall.
- Use blue painter's tape on both sides to securely to hold the sill in place.

#### \* Check length of Wall Channel (12):

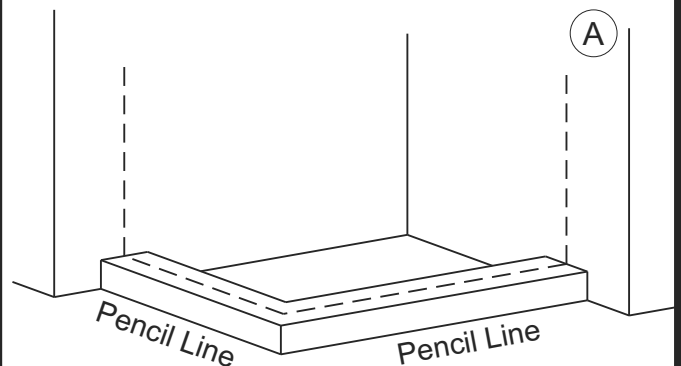
- Measure the height of the Glass Panel (18) and subtract 1/2".
- The length of Wall Channel (12) should be this length.

#### \* Prepare the Wall Channel (12) on top of the sill (11) and against the wall.

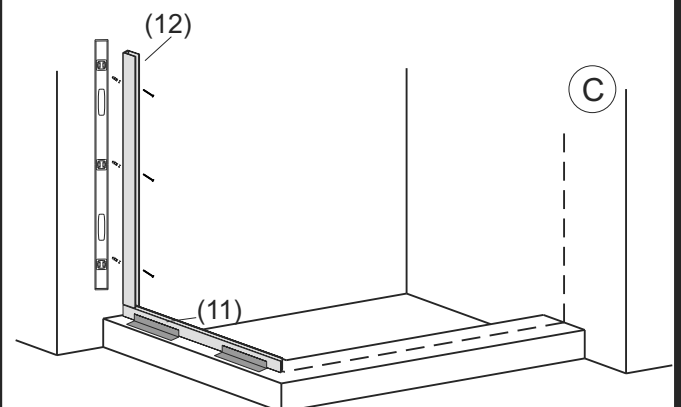
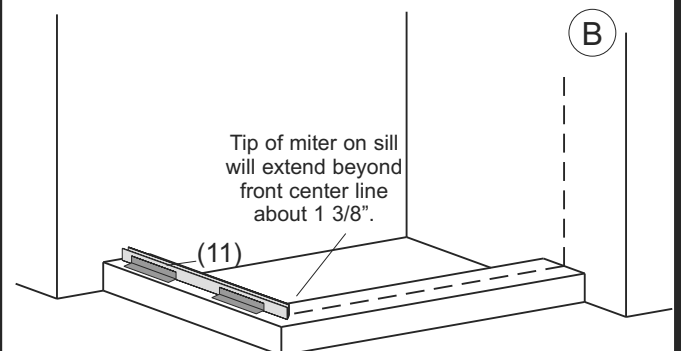
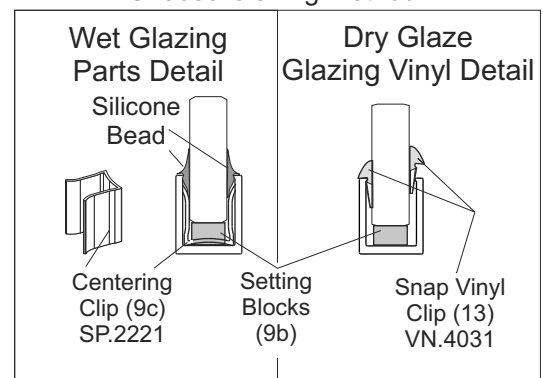
- Use a level to plumb the channel and mark location on wall.
- Next mark hole locations for mounting screws inside the wall channel (usually at grout lines).
- Remove the Wall Channel and drill hole into the aluminum with 3/16" bit.

#### \* Mount Wall Channel (12), detail C:

- Reposition the wall channel at marked location on the wall and mark hole locations on wall.
- Drill the holes with a 3/16" Drill bit, use carbide tip bit if going into masonry or tile.
- Insert 3/16 X 7/8 Wall Anchors (9a) into the holes.
- Fill the Anchors with silicone.
- Set the Wall Channel back in place and secure with #8 X 1-1/2 Screws (9a). See Detail C



#### Choose Glazing Method



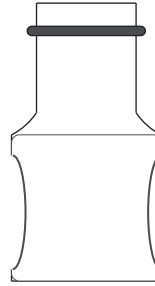
# Installation Instructions

## Models: TRTE290 / TRSE290 ECTE290 / ECSE290

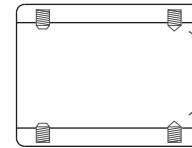
3/8" Frameless Slider w/ 180° & 90° Panels

### STEP 7 - Install Stoppers and Wall Collar on Header Tube:

- \* Carefully slide stopper to initial locations about 3" onto the tube.
  - \* Take care not to scratch the tube.
  - \* Lightly tighten stopper set screw or secure with painter's tape so stoppers do not slide and scratch the tube.
  - \* Final position will be determined during later steps.
  
  - \* Opposite Side Wall Collar:
    - Slide other wall collar onto the opposite side of tube.
- See Detail F.



**Stopper**

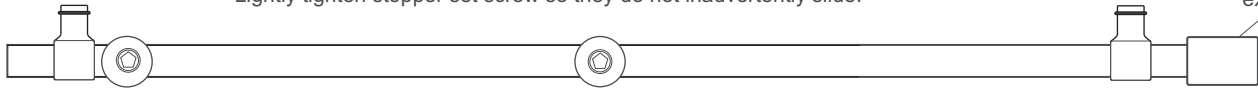


**Wall Collar**  
(orient cone tipped set screws into puck)

F

Carefully slide stopper to initial locations about 3" onto the tube.  
Take care not to scratch the tube.  
Lightly tighten stopper set screw so they do not inadvertently slide.

Slide collar onto tube and so end is slightly exposed

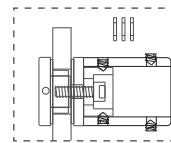


### STEP 8 - Install 90° Panel Adaptor (7), see detail G:

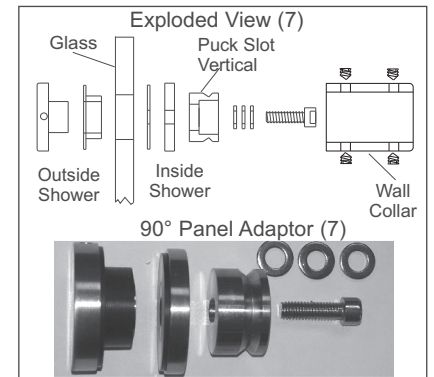
- \* Install the hardware as shown into the hole at top corner of the 90° Return panel, see Detail E.
- \* Ensure Puck Slot is vertical. Use supplied washer to insure tight connection to the Glass.

G

#### 90° Panel Adaptor Installation



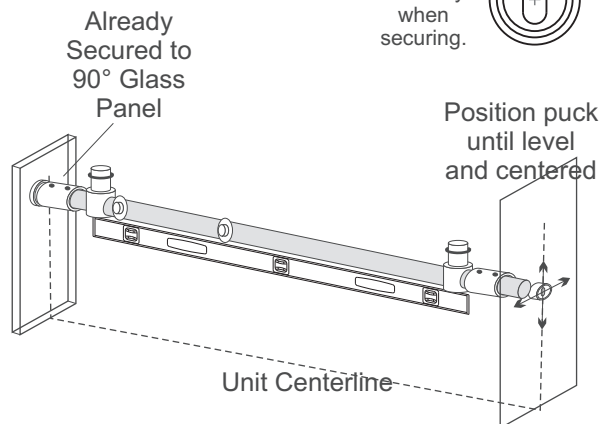
Elevation Side View



### STEP 9 - Mount Second Puck on Opposite Wall:

- \* THIS STEP REQUIRES ASSISTANCE
  - Carefully lift wall tube assembly and insert the open tube end into the puck already mounted on the 90° glass panel (high side).
  - Take the second puck and hold it butted to the loose to end of the header tube and against wall on the centerline.
  - Level the tube with a level and mark the outline of the puck
  - Remove tube assembly and mark puck slot on the centerline (keep slot vertical)
- \* Drill your mark with a 3/16" bit.
- \* Enlarge hole through tile with 5/16" carbide bit (to ensure screw will not crack tile).
- \* Secure the Wall Puck (4) with one M6 X 50mm screw, (7a).

Orient the slot in **Puck** vertically when securing.



# Installation Instructions

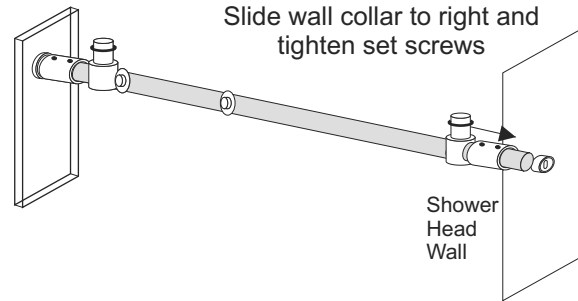
## Models: TRTE290 / TRSE290 ECTE290 / ECSE290

3/8" Frameless Slider w/ 180° & 90° Panels

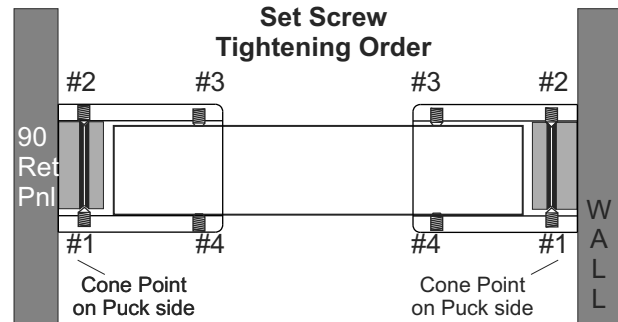
### STEP 7 - Mount Header Tube:

- \* Slide the Header Tube into wall collar on the Return Panel with stoppers pointed up.
- \* Slide the loose Wall Collar off the Header Tube and onto the opposite Wall Puck taking care the tube does not fall.
- \* Center the Header tube within both Wall Collars and align the Panel Fixers so they are facing to the outside.
- \* Secure tube by tightening the set screws on each collar in the order shown (for best results).
- \* **NOTE: Place Sliding Panel (17) inside the shower:**
  - Protect the glass edges from damaging or being damaged by the walls or shower base/pan.
  - Failure to put (17) inside will result in extra work that could result in damage to the sliding panel due to having to maneuver it through a smaller opening once the 180° panel (18) is placed.

90° Return Panel

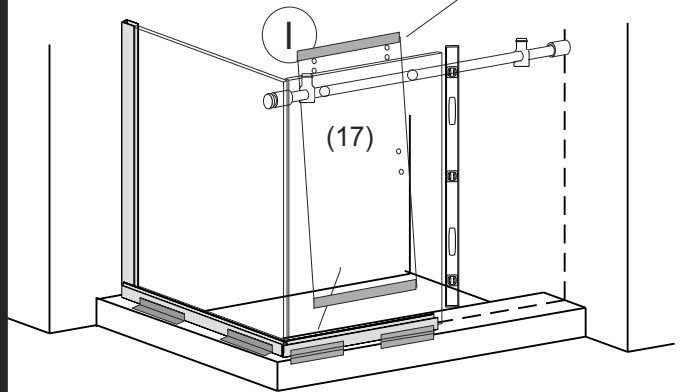
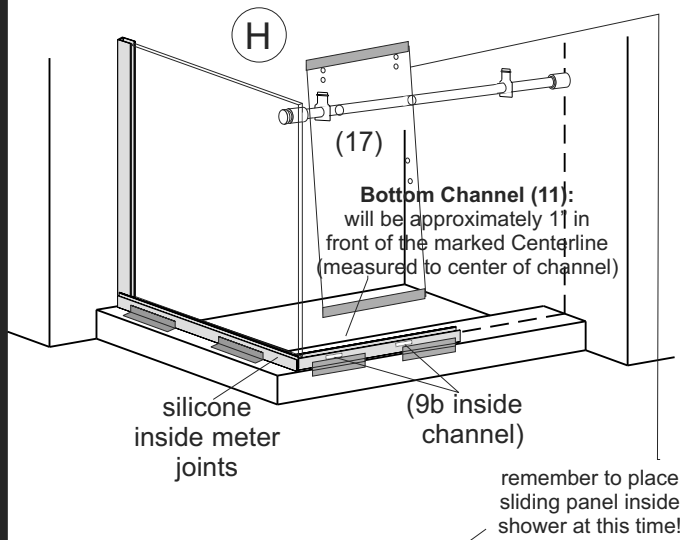


### Set Screw Tightening Order



### STEP 8 - Positioning Front Bottom Channel:

- \* **Prepare Bottom Channel (10):**
  - The Bottom Channel (10), may already be cut to size.
  - To check, measure the width of the 180° Fixed Glass Panel (15) then subtract 1/4".
  - If needed, cut sill to this dimension measuring from the long point of the miter.
  - Insert two 1/8" Clear Setting Blocks (9b) and add 3 - Centering Clips if you used them in the adjoining panel sill.
- \* **Position Bottom Channel:**
  - Apply silicone on the three faces of the mitered channel already in place to seal the corner.
  - approximately 1" in front of the marked Centerline (measured to center of channel).
  - Securely tape into position with blue painter's tape on the inside and outside to ensure it channel does not slip when you put the panel in.



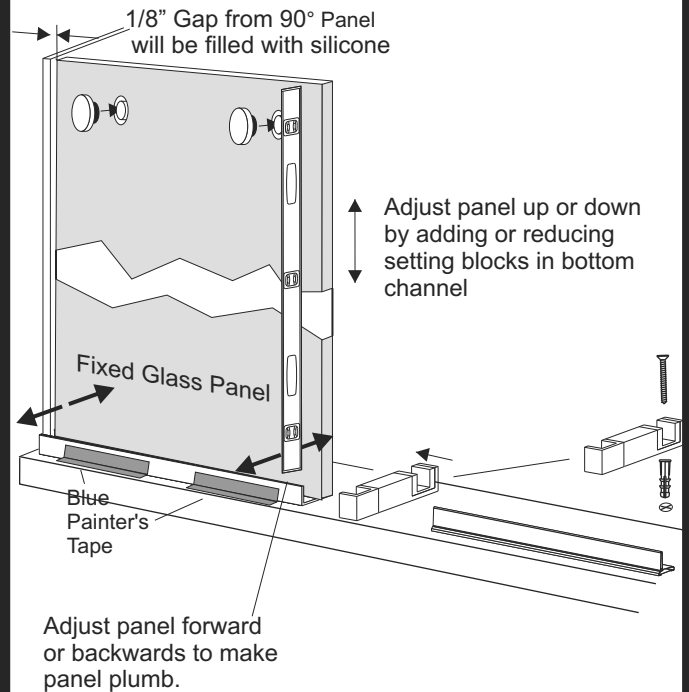
# Installation Instructions

## Models: TRTE290 / TRSE290 ECTE290 / ECSE290

3/8" Frameless Slider w/ 180° & 90° Panels

### STEP 9 - Mounting the Front Fixed Glass Panel:

- \* Set the 180° Glass Panel (18) into the Panel Sill (11):
  - Spaced panel 1/8" off of the Return Panel.
  - **NOTE:** 1/8" gap will be filled with silicone during final steps of installation.
- The Glass Panel will protrude out of the end of the channel.
- \* Holes in the glass should line up with the two Panel Connectors on the Header Tube.
- \* **NOTE:** If they don't, you may have to raise or lower the panel (18) by adjusting the Setting Blocks
- \* And / Or, adjust puck slot on the wall to raise or lower Tube to adjust up and down and possibly rotate the Header Tube to square it up to the panel.
- \* After the panel is adjusted, secure the Panel to the Header Tube with Panel Connector Cap. Tighten securely using Allen wrenches supplied.
- \* With the top of the Panel secured:
  - Loosen blue tape
  - Use a rubber mallet and tap the Panel Sill and the panel at the bottom to the plumb position using a level.
- \* Securely tape bottom channel to floor with painter's tape.

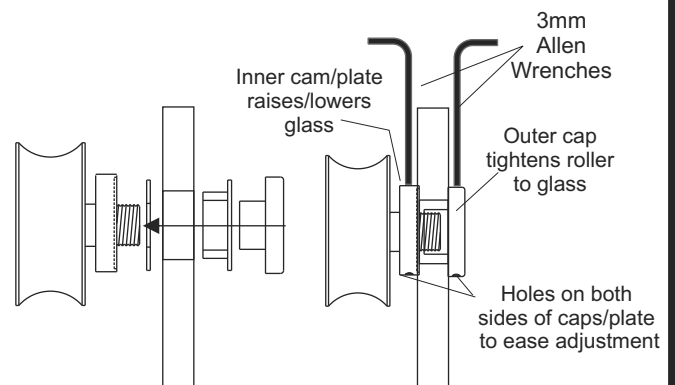


### STEP 10 - Center Guide:

- \* Set the Center Guide (5) in place on the threshold and over the edge of the Fixed Panel.
- \* **NOTE:** The Center Guide is reversible by loosening the set screw and rotating the receiver.
  - Open "U" without black insert cups over the exposed edge of panel.
  - Black insert side should point up and be positioned to the inside of unit as shown.
- \* Mark the hole location and drill with a 1/4" Drill bit. Insert Wall Anchor (8c).
- \* Fill Wall Anchor and hole with silicone and put a bead on the bottom of the Guide.
- \* Secure guide with one #10 X 1-1/8 FHPH Screw (8b).

### STEP 11 - Mounting the Sliding Panels:

- \* Take the Inside Sliding Panel (17), mount 2 Wheel assemblies (1) as shown.
- \* **NOTE:** The Wheel will face to the outside of the shower.
- \* By rotating plate between roller and glass, adjust the roller so you have equal up and down adjustment.
- \* **NOTE:** Once roller is adjusted to desired height, ensure inner plate is not rotated.
- \* Tighten the roller securely as shown by rotating back cap.
- \* Repeat for second roller (1). Tighten the rollers securely using the two 3mm Allen Wrenches.





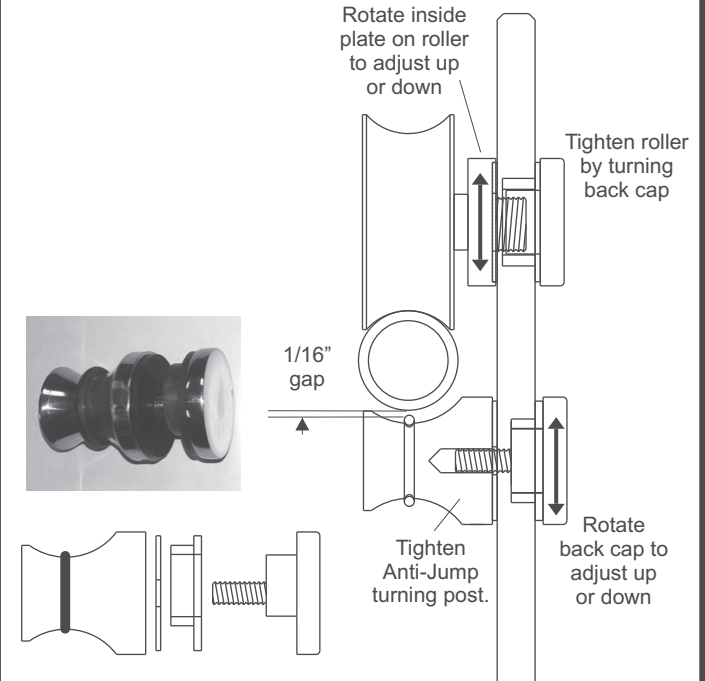
# Installation Instructions

## Models: TRTE180 / TRSE180 ECTE180 / ECSE180

### 3/8" Frameless Slider & 180° Panel

#### STEP 12 - Hanging and Adjusting the Sliding Panel:

- \* From inside of the shower, carefully lift Sliding Panel (17) onto the Header Tube (14) and into the Center Guide (5).
- \* Move each Bumper Stop (3) towards the walls.
- \* **Shower Head Wall:** bring the Sliding Panel to the closed position, leaving an even 1/4" gap at the shower head wall.
  
- \* NOTE: you may have to individually adjust the rollers up or down if wall and the edge of panel does not have equal reveal from top to bottom.
  
- \* Secure bumper stop by tightening set screw located at the top of the bumper stop. Tighten this well!
  
- \* **Stationary Panel Wall:** slide the sliding panel (17) to the open position behind stationary panel (18).
- \* Slide the bumper stop to stop the roller:
  - at least 1" from center of handle holes
  - OR
  - so the back edge of sliding panel is 5/8" or more from the 90° Return Panel.
  - WHICHEVER HAPPENS FIRST
- \* Tighten second bumper stop well!



#### STEP 13 - Anti Jump Posts (2):

- \* Install Anti Jump Posts as shown.
- \* Adjust posts until they come within 1/16" of the bottom of the bar.
- \* NOTE: Test to make sure the anti-jumps restrict the rollers from coming off the tube.
- \* Tighten Anti-Jump post securely, holding the back cap in adjusted location.

#### STEP 14 - Install Handle (19):

- \* Install handle with instructions provided.
- \* Ensure handle does not hit stationary glass panel.

#### STEP 15 - Install Bumper Seal (15):

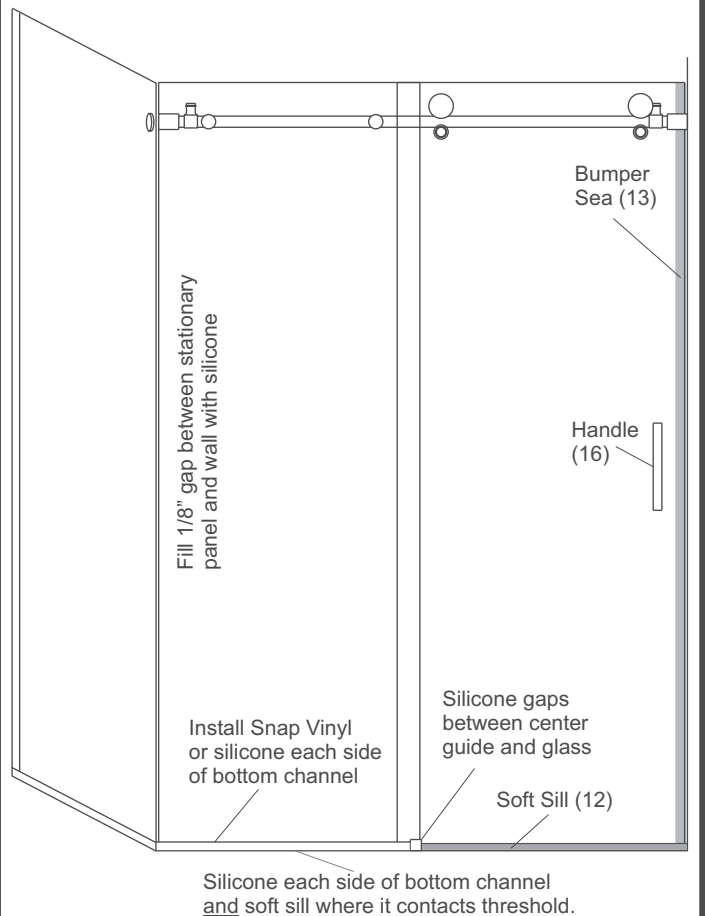
- \* Measure sliding panel top to bottom, deduct 1/8"
- \* Cut bumper seal (15) to this length and tap it onto edge of sliding panel (17) on shower head side.

#### STEP 16 - Soft Sill (16):

- \* Measure from center guide to wall and deduct 1/16"
- \* Clean adhesion area under Soft Sill with alcohol and dry.
- \* Cut Soft Sill to dimension. Peel the backing off the tape on the sill and stick in place.

#### STEP 17 - Final Glazing/Silicone: GE1200 Recommended

- \* Run a bead of Silicone vertically to seal the Front panel (18) to the Return Panel (19). Blue Painters tape is recommended to assist in this step.
- \* Install Snap Vinyl (13) or run a bead of Silicone along the horizontal edge of the of bottom channel where it meets the glass panel, and along the entire inside and outside of threshold.
- \* Silicone gaps between center guide and glass.
- \* NOTE: Let silicone dry and tape cure for 24 hours before use.



# Installation Instructions

**Models: TRTE290 / TRSE290**  
**ECTE290 / ECSE290**  
3/8" Frameless Slider w/ 180° & 90° Panels

Exploded View (Notched Panel)

