

Installation Instructions

Models: TRBTE / TRBSE ECBTE / ECBSE

3/8" Frameless Slider



P/N MM.5003
rev061818

Scan this Barcode for Parts Bag BP.5003.NTL



Thank you for purchasing this outstanding product!
This booklet will help you install your units safely and successfully.

IMPORTANT: Warnings and General Shower Door Information Page 2



HEAVY



CAUTION

**SAFETY
WARNINGS:**

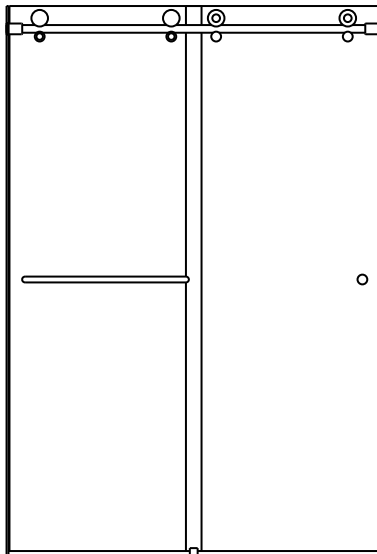


SHARP

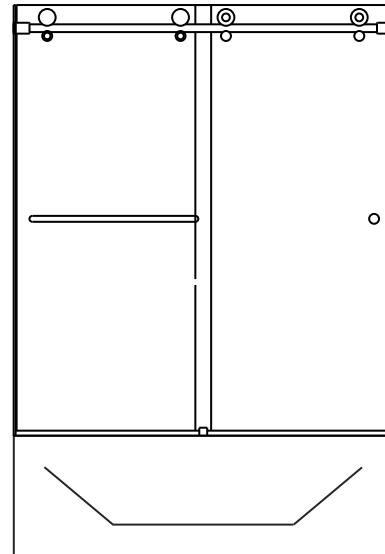


GLASS FRAGILE

Pick a unit below that best represents your configuration.



TRBSE
ECBSE
Shower Slider



TRBTE
ECBTE
Tub Slider

General Required Tools

- | | | |
|------------------------------------|-------------------------------------|----------------------|
| * Pencil or water soluble felt pen | * #2 Phillips Screw driver | * 4 ft. Level |
| * Hacksaw with 24 tooth blade | * 3/16" Carbide drill bit for tile | * Rubber mallet |
| * Metal file (smooth sharp edges) | * 1/4" Carbide drill bit for tile | * Razor knife |
| * Tape measure | * Caulking gun | * Blue painters tape |
| * Drill, electric or battery | * Clear 100% Silicone (recommended) | Booklet: MM.5003 |



HEAVY



CAUTION

SAFETY
WARNINGS:

SHARP



GLASS FRAGILE

CAUTION - READ THOROUGHLY BEFORE INSTALLATION

Follow instructions: Instructions must be read and followed carefully to reduce the risk of serious injury during and after installation. Any deviation from these instructions can create safety hazards.

Tempered Glass: Agalite enclosures glass panels are safety tempered to conform to general building codes. The intent of tempering is to reduce the risk of injury. Be careful handling tempered glass. Pay special attention to protect all edges of the glass from contact with hard surfaces.

General Notes:

- **Exposed ends of aluminum** and other hard components can be rough, sharp or jagged due to the processes of cutting, drilling, notching, etc. Sharp ends must be deburred, smoothed or rounded by the installer before installation. Failure to do so could result in serious injury to installer and user of the enclosure.
- **Sliding and swinging glass doors** hitting any unprotected bathroom obstruction or metal or glass component of the shower door itself, may indicate improper installation and could lead to glass breakage or serious injury. The installer must correct the deficiencies before allowing the door to be used.
- **Towel Bars, handles and other accessories** are in no way considered to be grab bars or other bracing or fall prevention mechanisms. The intent of these accessories is to facilitate proper operations and esthetics of the unit.

Shower Door Facts

Shower Doors are Not Watertight: Depending on the type of shower door selected, a properly designed and installed shower enclosures will protect areas outside of the enclosure from water damage under normal shower conditions to varying degrees. Excessive water pressure or directing the shower head or hand held sprays directly at doors or joints is not a normal shower conditions and can result a leak. The amount of water that can escape your shower varies by the type of shower as well. Heavy glass units with no or limited vinyl seals will allow water to escape under normal conditions. In general, the more metal and seals in the unit, the more water protection will be achieved.

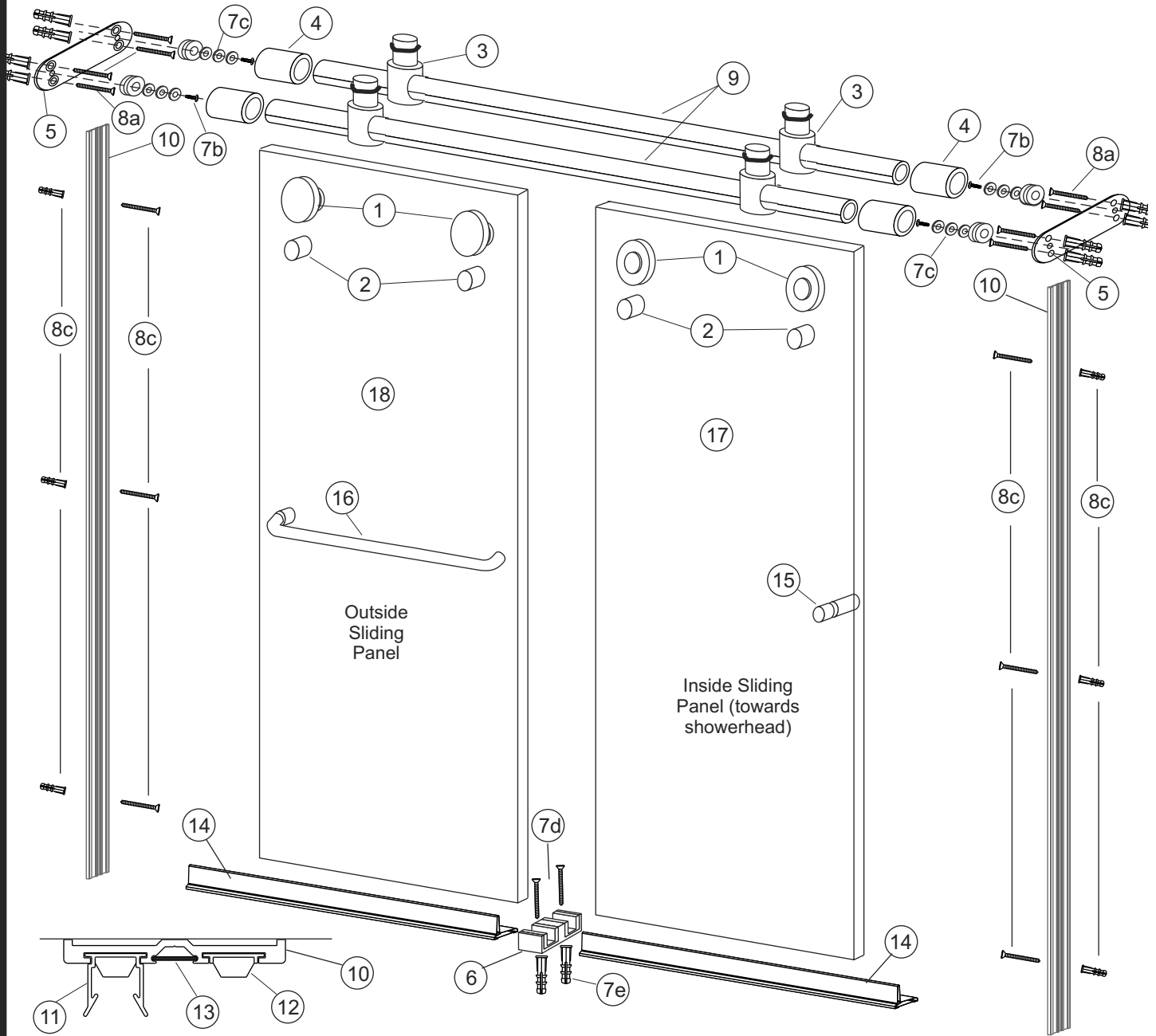
Drilling holes in horizontal surfaces: Drilling holes to anchor horizontal sills and curbs to thresholds and tub decks is discouraged. Using masking tape or double-sided tapes to secure non-load bearing components during installation (permanently secured later with silicone/caulking) is one technique to help minimize potential of water leaking underneath flooring. These instructions do not recommend drilling holes on horizontal surfaces for this reason.

Metal Colors:

- **Anodized Aluminum:** The color of anodized Silver, Brushed Nickel, Satin Silver, Dark Bronze, and Gold anodized aluminum will vary between adjacent components because of variabilities within polishing, anodizing process and alloy composition. We make every effort to limit the variation; but, it is allowable and must be accepted.
- **Electro Plated Brass and Stainless Steel:** The color of Silver, Brushed Nickel, Satin Silver, Oil Rubbed Bronze, Dark Bronze, and Gold electro plated components will also vary. This is allowable. Most of these finishes are also "living finishes", meaning, they may change, wear, weather, show patina, oxidize, etc. over the life of the product. This is allowable.
- **Powder Coat:** This is a painting process and therefore can achieve the best color matching. Power coat paint, however, is less durable at joints of moving components and at edges that have been cut after the powder coat has cured. Some flaking or chipping in these areas are allowable.
- **All Metal:** Any metal component (and glass components as well) will have limited scratches and pits. We make every effort to limit them; but, they are allowable and must be accepted.

Cleaning and Care: refer to your owners manual for cleaning and care instructions.

Installation Instructions
Models: TRBTE / TRBSE
ECBTE / ECBSE
 3/8" Frameless Slider



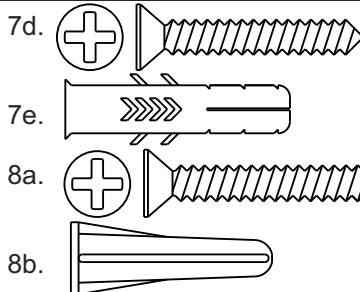
Parts List

HA.3102 HARDWARE PART BOX

- 1. HA.3001 - Roller Wheels ----- 4
 - 2. HA.3002 - Anti Jump Posts ----- 4
 - 3. HA.3003 - Bumper Stops ----- 4
 - 4. HA.3004 - Wall Collars ----- 4
 - 5. HA.3011 - Wall Plates ----- 2
 - 6. HA.3012 - Center Guide ----- 1
 - 7. BP.5002 - Part Bag ----- 1
 - 7a - M5 X 50mm Screw ----- 8
 - 7b - M6 X 12mm Cap Screw ----- 4
 - 7c - 6mm Flat Washers ----- 12
 - 7d - #10 X 1-1/8 FHPH Screw --- 2
 - 7e - #10 Wall Anchors ----- 2
 - 7f - 6mm Allen Wrench ----- 1
 - 7g - 4mm Allen Wrench ----- 1
 - 7h - 3mm Allen Wrench ----- 2
- (continued ----->)

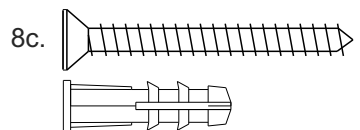
- 8a - HC.2513.SIL #10 X 2" FHPHMS ---- 8
- 8b - SP.2543.NTL 1/4" X 1" Wall Anchors -8
- 8c - BP.3027.SIL Part Kits ----- 2 Bag

BP.5003.NTL - PARTS BAG
 MM.5003 Inst. sheet ----- 1



OTHER MAJOR COMPONENTS

- 9. HA.3030 - Header Bars ----- 2
- 10. EX.1351 - Tub Jamb ----- 2
- 11. VN.4301 - Catch Vinyl ----- 2
- 12. VN.4302 - Bumper Vinyl ----- 2
- 13. VN.4303 - Cover Vinyl ----- 2
- 14. VN.4304 - Soft Sill ----- 1
- 15. HA.2893 - Back to Back Knob --- 1
- 16. HA.27XX - Towel Bar ----- 1
- 17. Inside Sliding Panel ----- 1
- 18. Outside Sliding Panel ----- 1



Extra screws may be provided for your convenience

Installation Instructions
Models: TRBTE / TRBSE
ECBTE / ECBSE
 3/8" Frameless Slider

STEP 1 - Wall Plate Height Calculation:

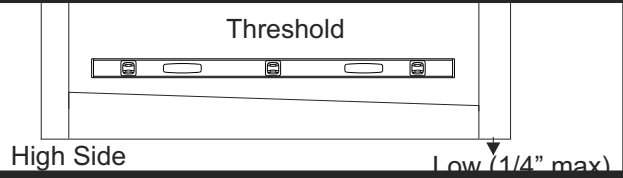
- * Measure height of glass panels: _____
- * Subtract 3 11/16" from this measurement: _____
- * New measurement is the height from the threshold to the bottom of the First Wall Plate #5 in Step 3.

Slider glass panel height

 - 3 11/16"
 Height from threshold to bottom of Wall Plate

STEP 2 - Evaluate Threshold:

- * Maximum recommended vertical threshold outage from side to side is 1/4".
- * Mark high-side and low-side of threshold.
- * First wall plate will be installed on high-side.

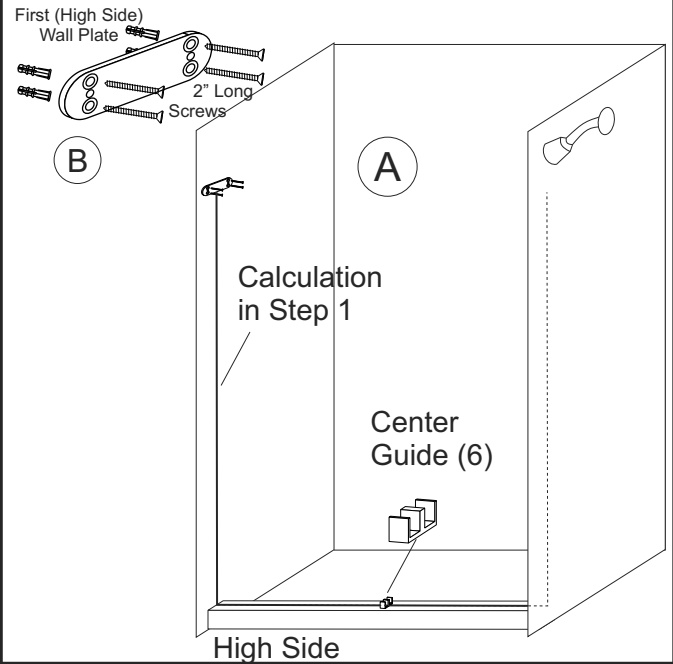


STEP 3 - Determine Centerline on Threshold and Walls:

- * Mark Center Guide #6 location on threshold.
- * Center guide at center of threshold width and depth.

Do not install yet!

- * Wall plates will be centered on the center of the guide.
- * Laser or plumb-bob is handy to determine and mark the overall centerline of the unit. See Detail A



STEP 4 - Mount First Wall Plate on High Side:

- * Take measurement from STEP #1 and measure up high-side wall on the centerline.
- * Mark this location as the BOTTOM of the Wall Plate #5.
- * Center plate on the Centerline and mark the 4 hole locations.
- * Drill four holes with a 1/4" drill bit,
 - Insert 4- Wall Anchors #8b,
 - Then secure with 4 - #10 X 2" screws, #8a.

STEP 5 - Attach Pucks and Wall Collars to Wall Plate on High Side:

- * Attach two of Pucks (Remove from inside of Wall Collars, #4) and attach them to the Wall Plate with slots in a vertical position.

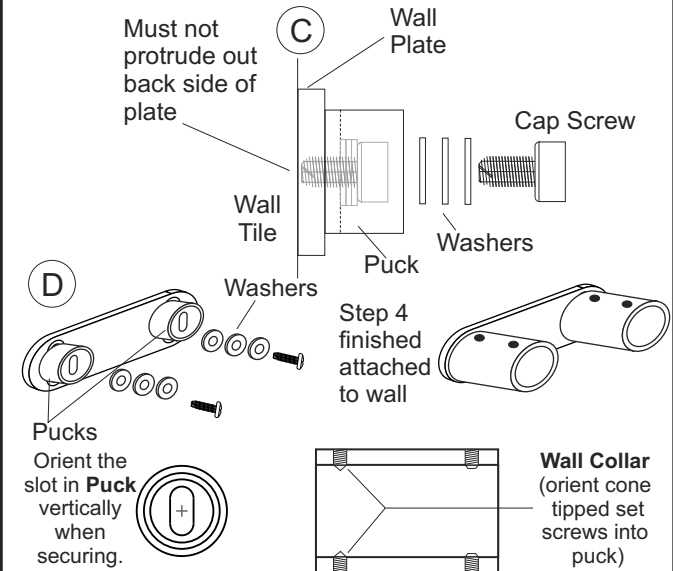
IMPORTANT NOTE: See Detail C.

- Use the fewest number of washers (#7c) to ensure cap screw does not extend through back of plate.

Failure to do so could result in cracked tiles, etc.

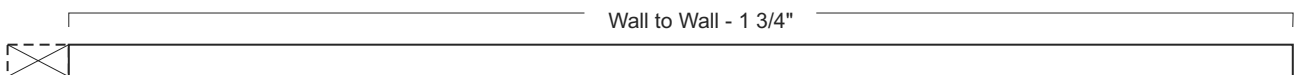
- Use two M6 X 12mm Cap Screws (#7b) to secure pucks

- * Attach two Wall Collar (#4) onto the Wall Pucks, Detail D
- * Tighten bottom Wall Collar set screws into Pucks first
- * Tighten top Wall Collar set screws into Pucks second
- * Reverse the order when tighten set screws into bars (headers) in future steps.



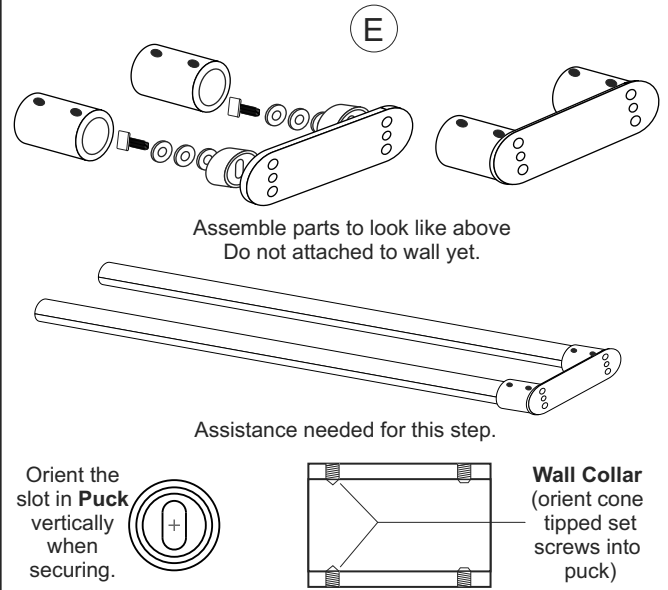
STEP 6 - Check Header Tube Length:

- * Your Header Tube may already be cut to size. To check, measure wall to wall just below the Wall Plate and subtract 1 3/4". If your header is not this length, cut with a hacksaw. Cutting through reinforcement will be difficult.
- * Seal both exposed ends of both headers/tubes with a light coat of silicone to prevent oxidation.



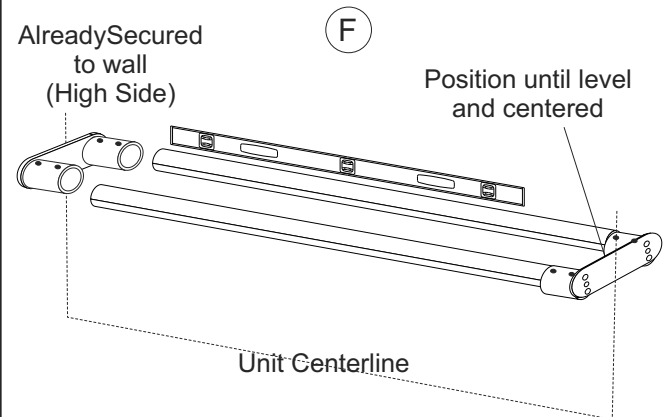
STEP 7 - Assemble Opposite Wall Plate and Tubes

- * Reference Detail E (upper)
 - Attach two Wall Pucks to the remaining Wall Plate with the slots in a vertical position
 - Use two M6 X12mm Cap Screws and washers like in STEP 5
 - Again, ensure cap screw does not extend through back Failure to do so could result in cracked tiles, etc. See Detail C
 - Attach Wall Collars onto the pucks.
 - Attach two Wall Collar (#4) onto the Wall Pucks, Detail D
 - Tighten bottom Wall Collar set screws into Pucks first
 - Tighten top Wall Collar set screws into Pucks second
 - Reverse the order when tightening set screws into bars (headers) in future steps.
- * Reference Detail E (lower)
 - Insert two Header Tubes, #9 into the assembled Wall plate and tighten set screws.





STEP 8 - Locate and Secure Opposite Wall Plate

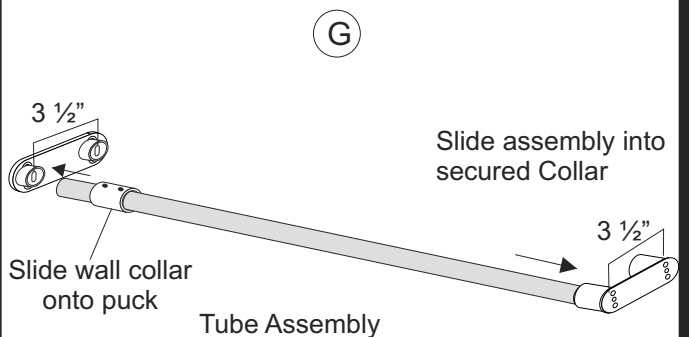
- * Reference Detail F:
 - THIS STEP REQUIRES ASSISTANCE
 - Carefully lift wall plate/tube assembly and insert the other open ends of the tubes into the Wall plate already mounted on the wall (high side).
 - Using level, position loose Wall Plate/tube assembly until tubes are level and the wall plate is center on Centerline.
 - Mark an outline around the Wall Plate onto the wall.
 - Carefully lower assemble and completely disassemble components
- * Align the Wall Plate to the outline you made and mark the four countersunk mounting holes onto the wall.
 - Drill with four hole into wall with 1/4" drill bit
 - Insert wall anchors.
 - Secure wall plate with four #10 X 2" Screws.
 - Attach two Wall Pucks to the Wall Plate with slots in a vertical position using cap screws and washers used in STEP 6



STEP 9 - Mount Header Tubes:

Reference Detail G*

- * NOTE: Ensure pucks are 3 1/2" apart at both ends.
- * NOTE: Since full tub jamb system  is used, the Bumper Stops are optional. They  can be used at the discretion of the owner. Stoppers are not shown on these instructions. IF DESIRED BY OWNER: Carefully slide two Bumper Stops #3.
- * Slide opposite wall collar onto tube (the other collar should still be on the wall).
- * Slide Header Tube assembly into the secured Wall Collar, align with other side and slide the loose Wall Collar onto the other Wall Puck and secure by tightening the set screws.
- * Repeat for second bar. Ensure all set screws are tight so that the Glass Panels cannot fall when installed.



Installation Instructions
Models: TRBTE / TRBSE
ECBTE / ECBSE
 3/8" Frameless Slider

STEP 10 - Install Sliding Panels:*** Inside Sliding Panel:**

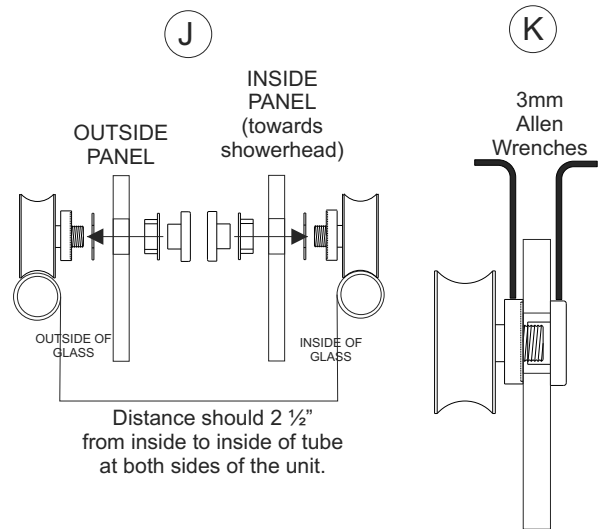
- Starting with Inside Panel (#17, showerhead wall), mount two Roller/Wheel I assemblies (#1) as shown Detail J. The flat Wheel face will face to the inside of the shower.
- Adjust the Wheel so you have equal up and down adjustment. Tighten the Wheel securely as shown Detail K.
- Repeat for second Wheel #1.
- Hang inside panel the inside bar with the Panel between the Header Tubes.

*** Outside Sliding Panel:**

- NOTE: Carefully slide the top of outside panel between the two tubes before installing rollers.
- Mount both Wheels using same procedure as above, except have them facing to the outside of the shower.

*** Reference Detail K:**

- Tighten the Wheels securely using two 3mm Allen Wrenches

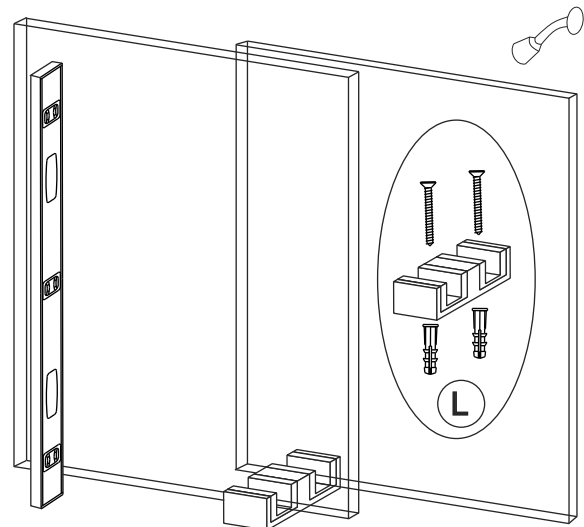
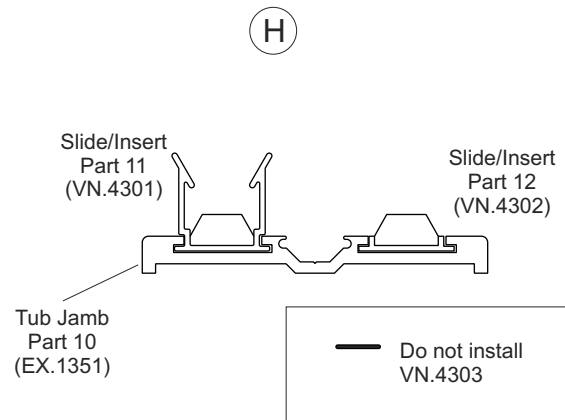
**STEP 11 - Install Center Guide:***** Move both panels middle of header tubes.***** Slide the Center Guide under both panels and align with marks made in STEP 3.**

- Using a level, check each panel for being plumb.
- Adjust Center Guide forward or back to achieve best plumb result (OK to split the difference if there is a slight rake).

*** Mark the holes onto the threshold**

- Drill hole into threshold with a 1/4" bit.
- Fill the hole and anchor with silicone.
- Insert two Wall Anchors (7e).
- Add silicone to the bottom the guide to keep water out the hole.

See Detail L

*** Secure with two #10 X 1-1/8" screws (7d).***** Carefully move each Panel to the closed position.****STEP 12 - Prepare Tub Jambs:***** Insert one piece of vinyl (11) and into the "T" slot***** Insert one piece of vinyl (12) into the other slot. Orient the vinyls as shown.***** Repeat for second Tub Jamb***** Do not install vinyl (13). You will do this after the jambs are screwed to the walls to cover the screw heads.**

STEP 13 - Cut and Install Tub Jambs: reference diagram below

* Measure / Cut Left Tub Jamb

- Measure from the threshold to the bottom of the Wall Plate (5) on left wall.
- NOTE: Threshold may be angled downward for drainage. This angle should be cut onto the bottom of the Tub Jamb.
- Cut left Tub Jamb (10) to measured length.

* Position Left Jamb Tub Jamb and Locate and Drill Installation Holes:

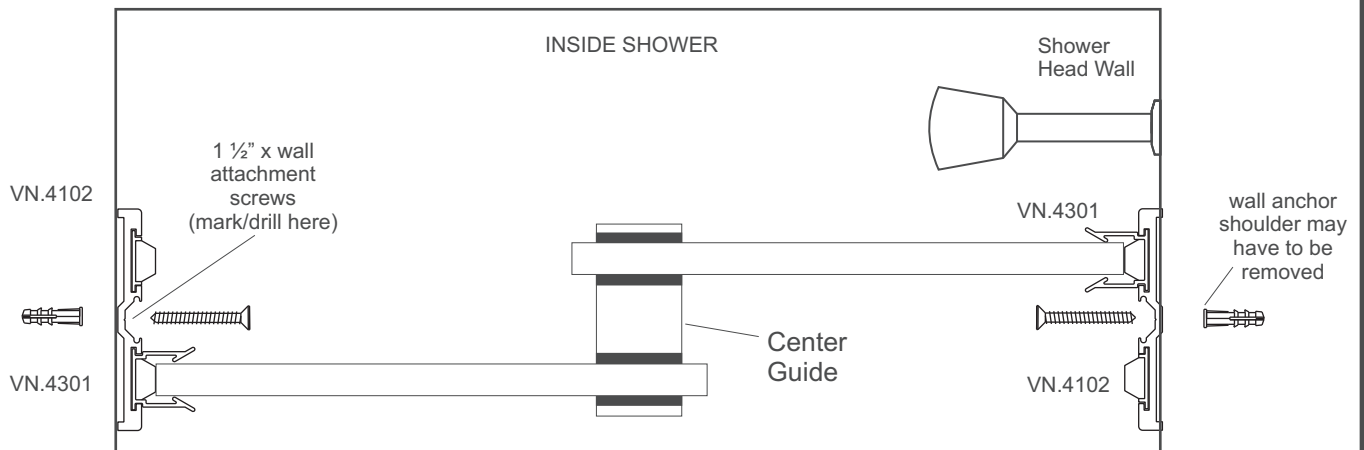
- Position Left Tub Jamb under the center of the left Wall Plate.
- Move the outside panel to the closed position so it freely pockets into VN.4103 without twisting. Adjust as needed.
- With felt tip pen/marker, mark where you want you 1 1/2" long wall attachment screws to go (use 3 or 4 per side).
- Remove jamb from wall, lay on flat surface and drill holes at marked location with 3/16" drill bit into aluminum jamb.

* Install Left Jamb Tub Jamb:

- Reposition tub jamb in same location as last step. Mark hole location through jamb onto wall. Remove jamb.
- Drill 3/16" holes into wall at marked locations. Insert wall anchors.
- NOTE: razor blade wall anchor shoulders off if needed. Shoot silicone into wall anchors before next step.
- insert 1 1/2" screws to attach jamb to wall and snug to wall.

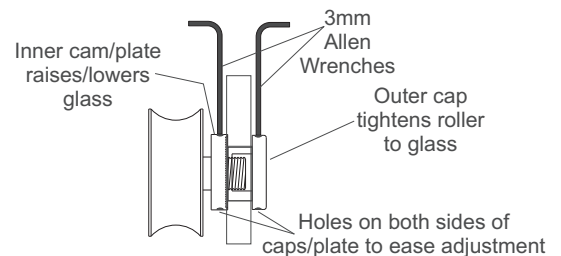
* Repeat this step for the right Tub Jamb (vinyl sides will be reversed)

TOP VIEW - TUB JAMBS



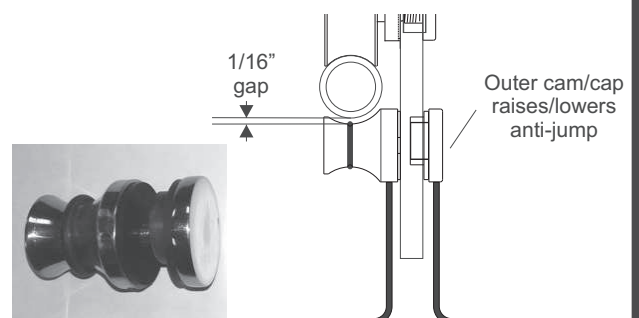
STEP 14 - Adjusting Rollers and Sliding Panels:

- * Using the two 3mm Allen wrenches supplied in the part bag to rotate inner cam/plate to raise or lower roller.
- * Adjust each Panel until they seat properly with the Tub Jambs vinyls.
- * Tighten Outer Cap while holding cam/plate in adjusted position.
- * NOTE: there are holes on both sides of the cap and cam/plates to ease adjustment.



STEP 15 - Install Anti Jump Posts #2:

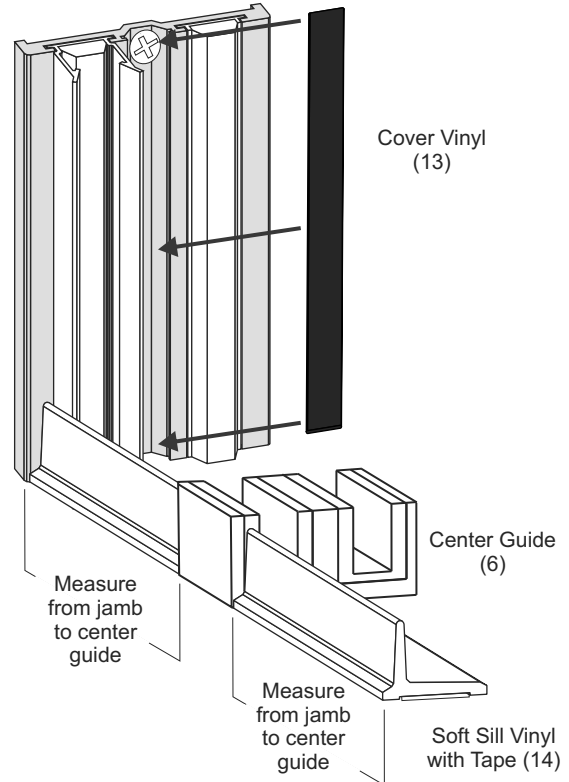
- * Assembly Anti Jump Posts as shown.
- * Snug post to glass, then rotate Outer cam/cap to raise or lower Anti-Jump post until it is 1/16" from bottom of tube.
- * Tighten Anti-Jump post while holding Outer cam/plate in adjusted position to maintain the 1/16" gap.
- * NOTE: there are holes on both sides of the post and cam/cap to ease adjustment.



Installation Instructions
Models: TRBTE / TRBSE
ECBTE / ECBSE
 3/8" Frameless Slider

STEP 16 - Install Black Screw Cover Vinyl:

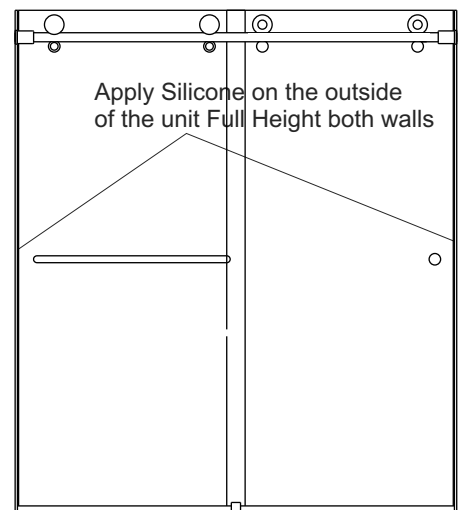
- * Insert one length of VN.4303 vinyl (13), into center slot over to cover the screw heads and slot from top to bottom.
- * Snap in place by pushing vinyl towards the wall until it snaps into place, working your way down.
- * Work vinyl until it has a constant reveal.

**STEP 17 - Installing Soft Sill #14:**

- * Measure between the Center Guide #6 and a Tub Jamb.
- * Cut Sill to this dimension. Repeat for second Tub Jamb.
- * NOTE: Clean adhesion surface with alcohol and dry thoroughly.
- * Peel the backing off the tape on the sill and stick in place between the Center Guide and the tub Jamb.
- * Repeat for second sill.

STEP 18 - Silicone: GE1200 Recommended

- * Run a vertical bead of Clear Silicone on the outside and inside of Tub Jambs where they meet the tile.
- * Run one continuous bead along the bottom outside and inside of the Soft Sill crossing the Center Guide.



Continuous Single Bead across bottom wall to wall

STEP 19 - Towel Bar and Pulls:

- * Start with the blind Fastener of the Towel Bar first. See the detail below for proper sequence.
- * Ensure the plastic hole grommet inside the holes in the glass. **Failure to do so could result in the panel chipping or breaking, etc.** Follow sequence 1st, 2nd, 3rd below.

