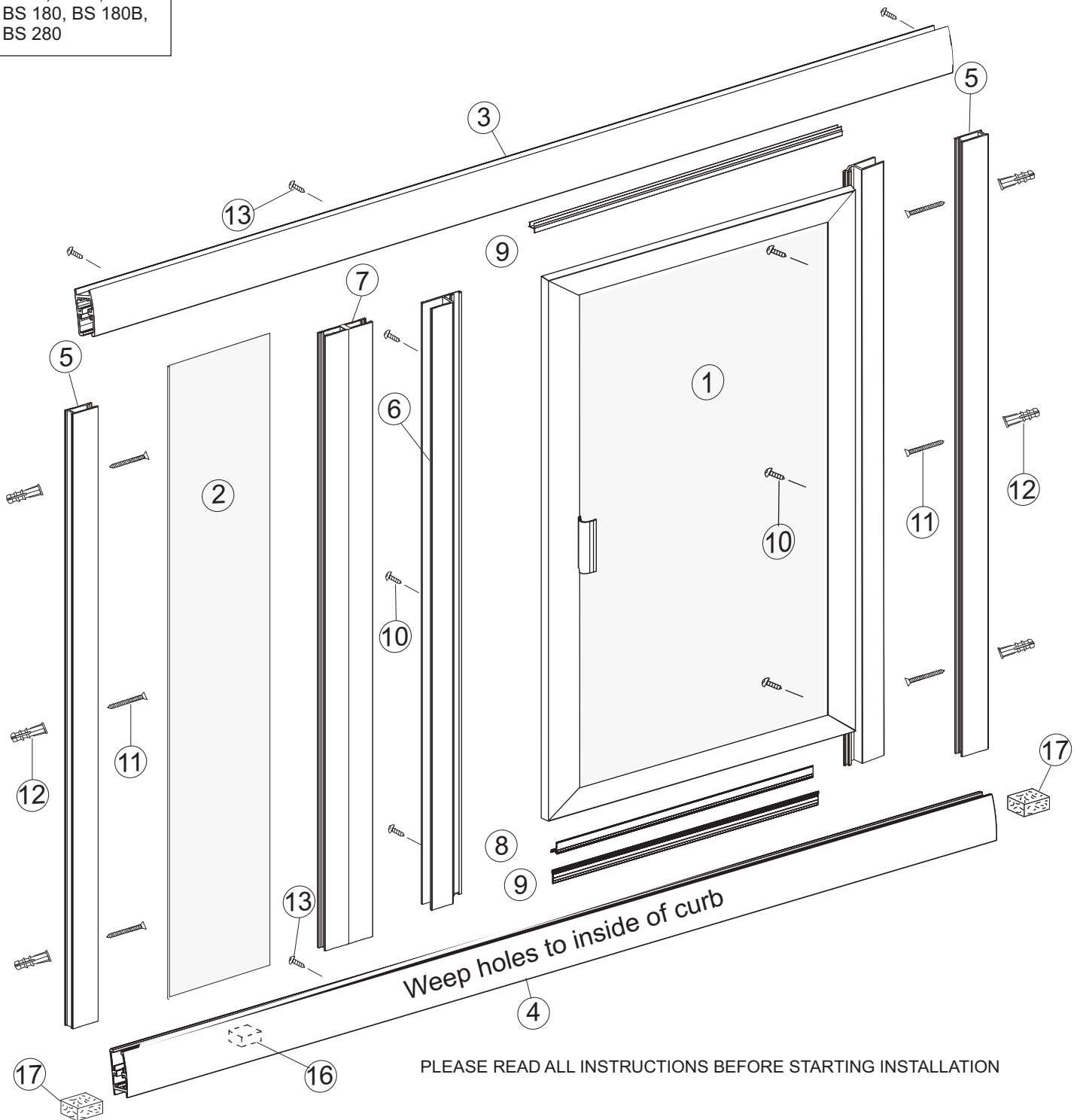


3/16" FRAMED SWING DOOR WITH SINGLE INLINE PANEL OR TWO INLINE PANELS

This instruction sheet applies to the following units.
 C351, C356, C359
 BS 180, BS 180B,
 BS 280



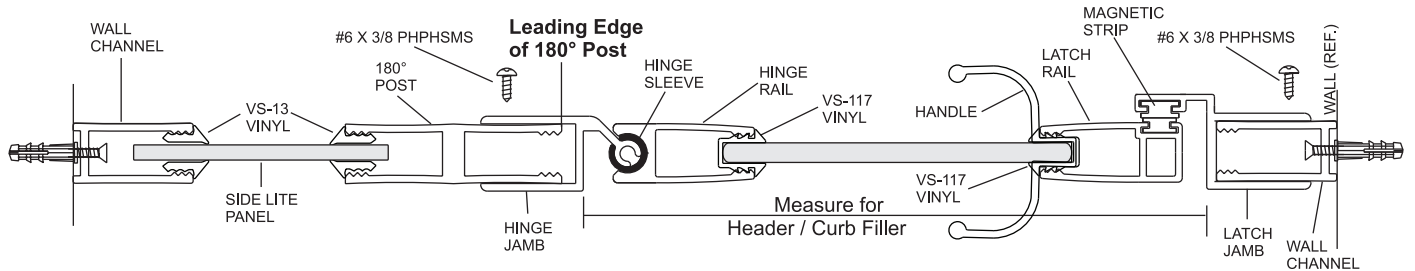
PLEASE READ ALL INSTRUCTIONS BEFORE STARTING INSTALLATION

TOOLS REQUIRED FOR INSTALLATION OF A 3/16" FRAMED DOOR WITH INLINE PANEL

- | | |
|-----------------------------------|--|
| 1. Pencil or glass marking pencil | 6. Mill File to smooth rough edges |
| 2. Mallet | 7. Drill With Phillips #2 Tip, 1/8" & 3/16" Drill Bits |
| 3. Level | 8. Caulking Gun (With Clear Silicone Recommended) |
| 4. Tape Measure | 9. Sharp Knife or Razor Knife |
| 5. Hacksaw With Fine Tooth Blade | 10. Painters Tape |

Figure #2 - BS180 & Bs280 Shower Door Assembly - Top View

BS 180



BS 280

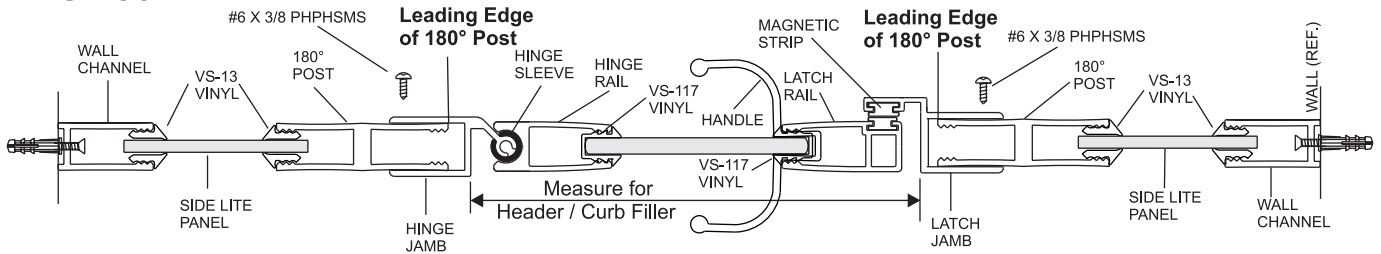
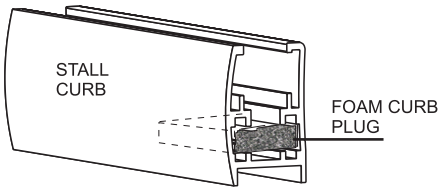


Figure #3 - Foam Curb Plug



FILL RECESS BOTH ENDS WITH SEALANT

Figure #5 - BS180 & BS 280- Side View

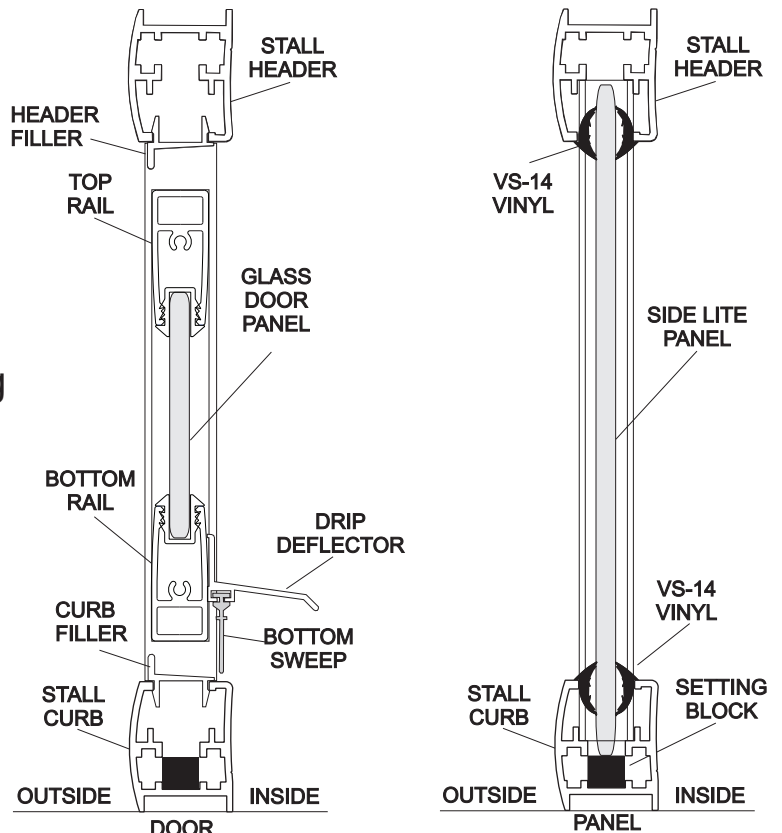
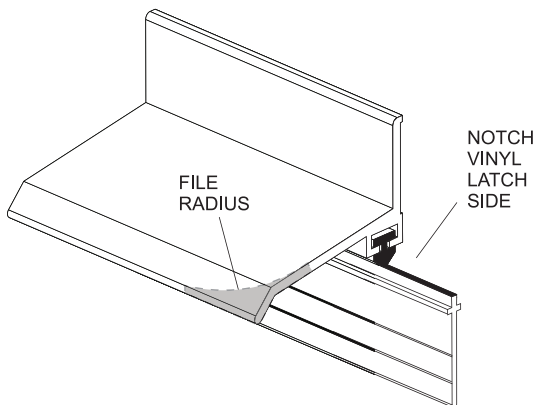


Figure #4 - Drip Deflector Notching

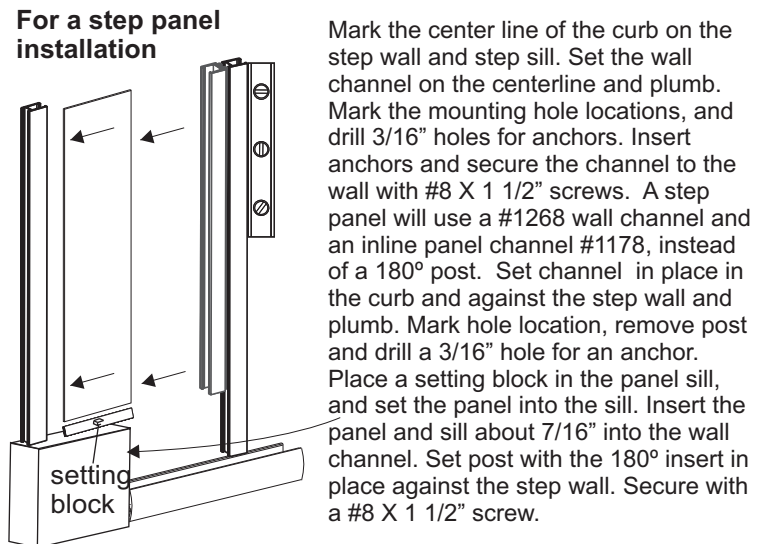
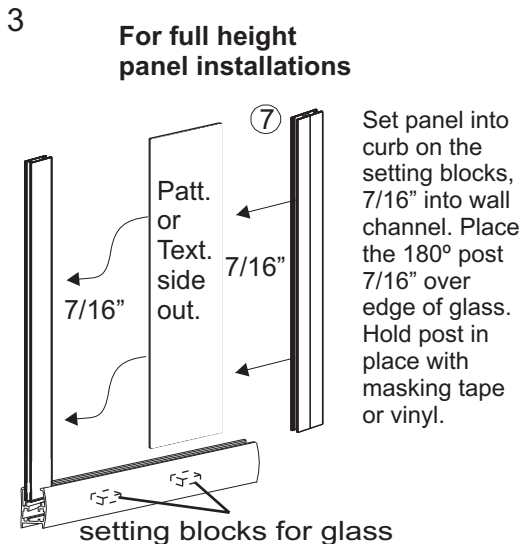
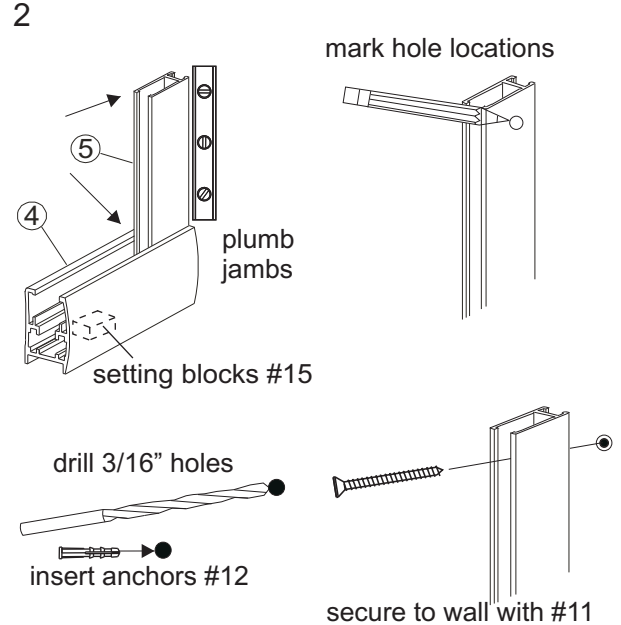
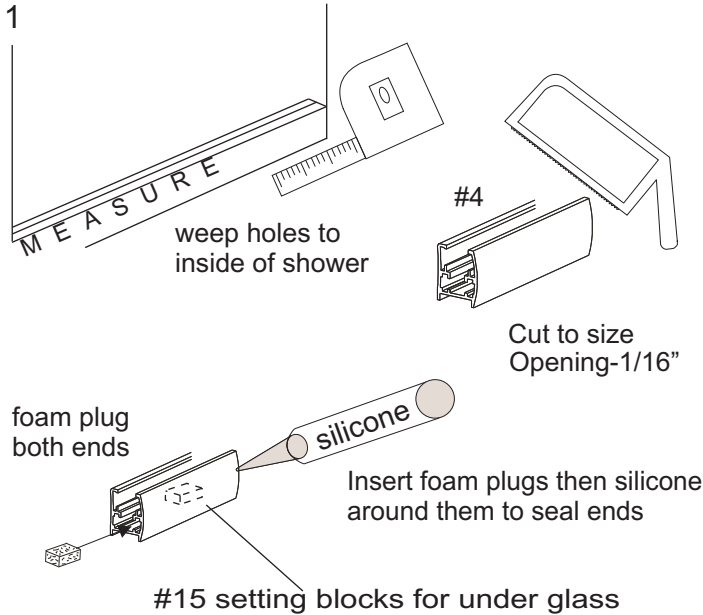


Latch Pack

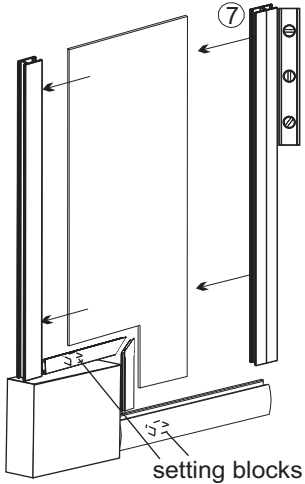
Cat #	Parts	QTY.:
①	Door	1
②	Panel Glass	1
③	1171 Stall Header	1
④	1271 Stall Curb W/ Weep Holes	1
⑤	1268 Wall Channel	2
⑥	1193 Strike Jamb (w/ #4100 full length magnet)	1
⑦	1173 Inline Post	1
⑧	1097 Drip Rail	1
⑨	1072 Curb Filler	2

Hardware Pack

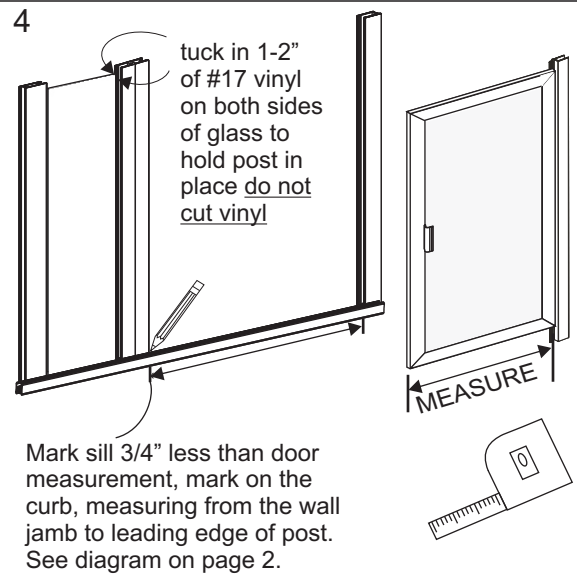
	Hardware Pack	Qty.:
⑩	2110 #8X1/2"PHPH TEK	6
⑪	2101 #8x 1-1/2" FHPHSMS	6
⑫	2217 Anchors	6
⑬	2102 #6X3/8" PHPHMS	2
10-13 Only Parts Bag #3027		
⑭	4018 Vinyl Sweep	1
⑮	2203 Setting Blocks	1
⑯	2204 Foam Curb Plugs	2
⑰	VS-13 Thin Vinyl (Not Shown)	4
⑱	VS-14 Thick Vinyl (Not Shown)	4



**3 Continued
For a notched
panel installation**



Mark the center line of the curb on the step wall and step sill. Set the wall channel on the center line and plumb. Mark the mounting hole locations and drill 3/16" holes for anchors. Insert anchors and secure the channel to the wall with #8 X 1 1/2" screws. A notched panel will use #1268 channel under the panel, from the wall channel to the curb. The horizontal channel should line up beside the wall channel, and can be held in place with masking tape. Install the vertical channel to fit between the horizontal channel and curb, with a screw and anchor. Place a setting block inside of the horizontal channel and curb. Set the glass in place in the channels with the glass penetrating the wall channel about 7/16". Place the 180° post about 7/16" over the exposed edge of the glass. Plumb the post and temporarily hold it in place with masking tape or vinyl.

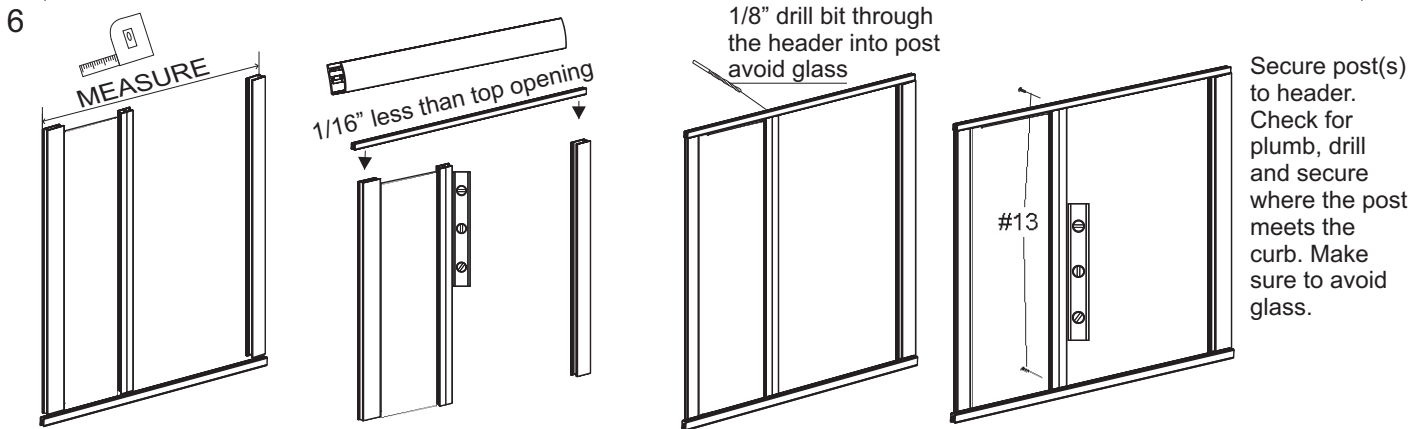
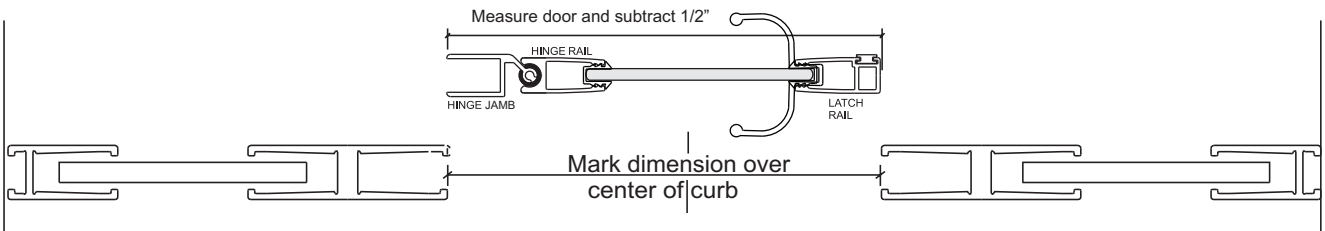


tuck in 1-2" of #17 vinyl on both sides of glass to hold post in place do not cut vinyl!

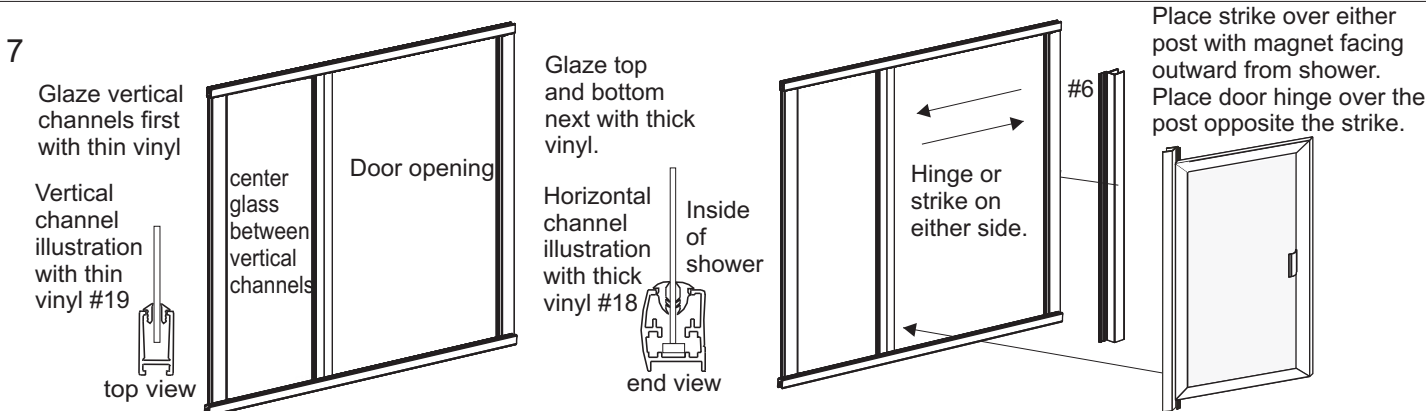
Mark sill 3/4" less than door measurement, mark on the curb, measuring from the wall jamb to leading edge of post. See diagram on page 2.

5 For two panel installations

Measure the door as shown below. Subtract 1/2" from the dimension and mark it on the horizontal centerline of the stall curb to ensure the door is centered in the opening. Insert the glass panels into the curb and wall channels, resting on the setting blocks. If panel is textured, make sure that the textured side is facing out. Insert the inline posts into the stall curb and over the edges of the glass. Adjust the posts by moving the leading edges of both posts to the marks just made. Hold the post and glass in place with painters tape.



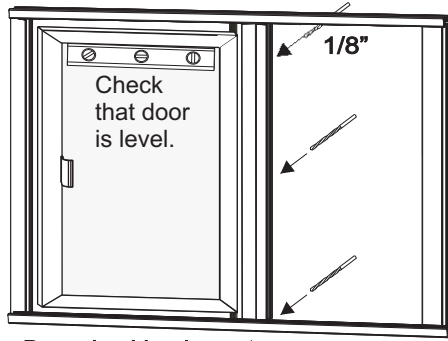
Secure post(s) to header. Check for plumb, drill and secure where the post meets the curb. Make sure to avoid glass.



Place strike over either post with magnet facing outward from shower. Place door hinge over the post opposite the strike.

8

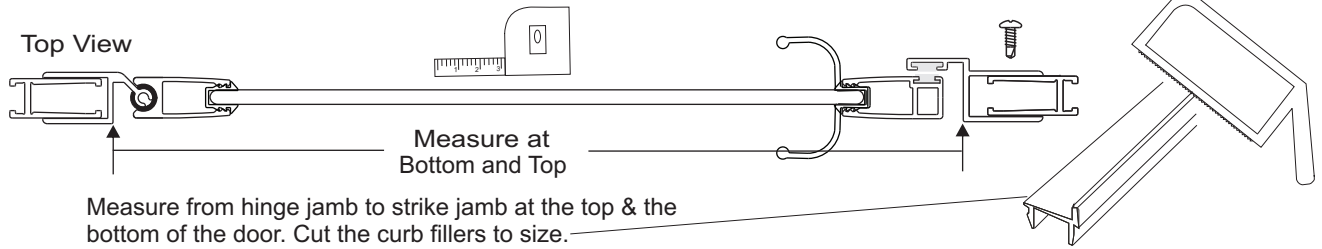
Adjust hinge jamb so the top of the door is even with the header. Drill 1/8" hole at top of hinge jamb and secure with #6x3/8" screw. Repeat at bottom & middle of hinge jamb.



Adjust the strike to work correctly with the magnet in the door and to be plumb. Secure the top, middle and bottom of the strike with #8x1/2" tek screws.

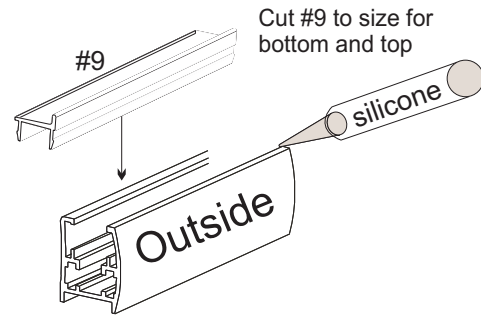
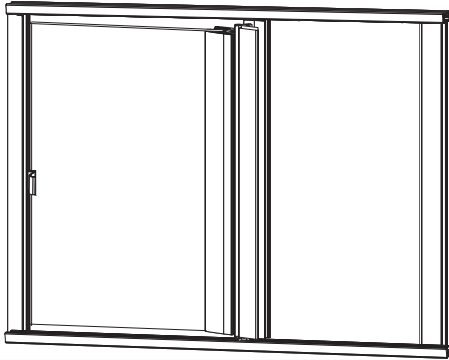
9

Top View



10

Open the door and snap the bottom curb fill into the bottom curb with the vertical lip to the outside. Seal both ends with silicone. Snap the top curb fill into the header with the vertical lip to the outside, do not seal.



11

To Install the drip rail at the bottom of the door, measure only the frame of the door that surrounds the glass. Add 3/8" and cut the drip rail to this size. **NOTE:** Radius the end of the drip rail to be similar to the factory end. Install the bottom sweep vinyl into the bottom of the drip rail, and trim so that 1/4" extends out of each end of the drip rail. Notch the thick portion of the drip rail where it meets the strike jamb. Peel the backing off of the drip rail. From the inside of the shower, close the door and install the drip rail so that the vinyl sweep is 1/16" above the curb filler.



12

Run a continuous bead of silicone around the outside of the unit where the metal meets the walls and threshold.

These installation instructions must be followed to ensure proper operation of the door and to reduce the risk of serious injury. Any deviation from these instructions can result in a serious safety hazard.



All exposed ends of aluminum that are rough, sharp or jagged due to the metal being cut, drilled or damaged should deburred, smoothed or rounded by the installer before installation. Failure to do so could result in serious injury to the user of the enclosure.

Any part of the swinging glass door hitting any unprotected bathroom obstruction or metal or glass component of the shower door itself, may indicate improper installation and could lead to serious injury. Installer must correct the deficiencies before allowing the door to be used.