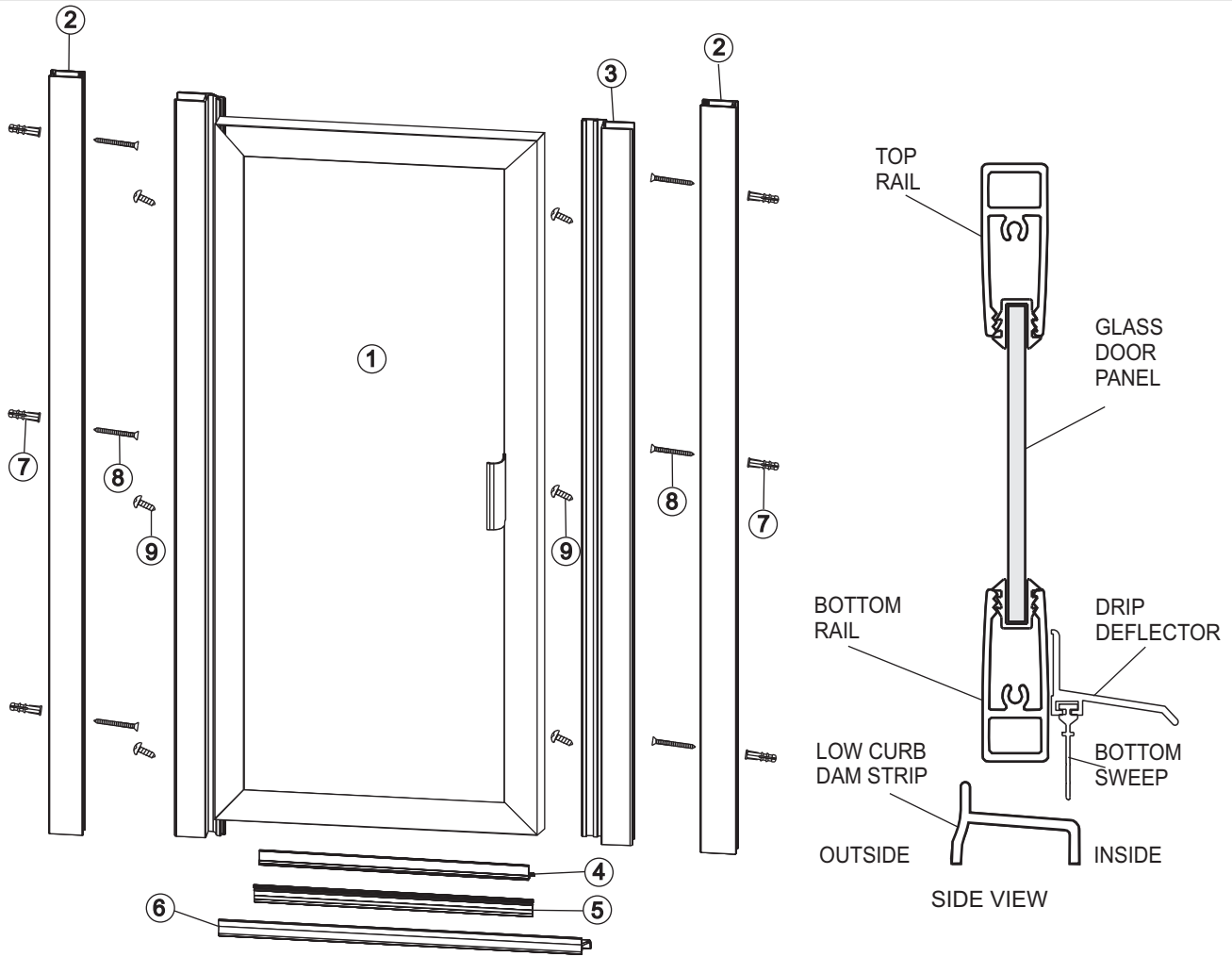
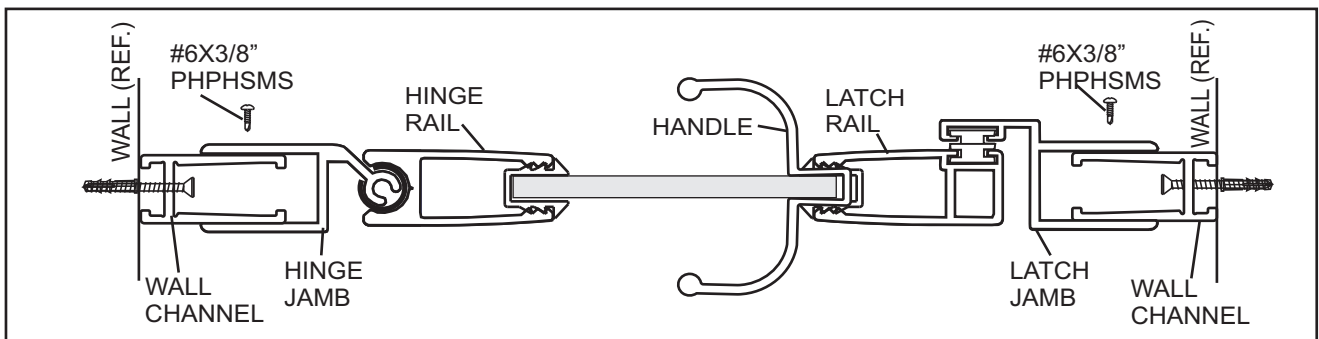


FRAMED SWING DOOR



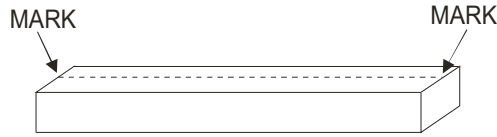
Latch Pack		CAT#: PART LIST:	QTY.:	Parts Bag #3027		PART LIST:	QTY.:
	①	DOOR ASSEMBLY	1		⑦	2217 3/16" WALL ANCHORS	6
	②	1268 WALL CHANNEL	2		⑧	2101 #8 X 1-1/2" FPHSMS	6
	③	1193 STRIKE JAMB	1		⑨	2110 #8 X 1/2" PH TEK SCREWS	6
	④	1097 DRIP RAIL	1				
	⑤	4018 VW-2 SWEEP	1				
	⑥	1019 DAM STRIP	1				



TOOLS REQUIRED FOR 3/16" GLASS FRAMELESS SWING DOOR

1. Rubber or Wooden Mallet
2. Hacksaw
3. Level
4. Mill file for rounding sharp edges
5. Caulking gun & Caulk (Clear silicone recommended)
6. Sharp knife or razor knife
7. Drill w/ #2 Phillips tip & 1/8" and 3/16" drill bits
8. 70% Isopropyl Alcohol & Clean Cloth
9. Painters tape
10. Tape measure

- 1 Mark the centerline lightly in pencil.



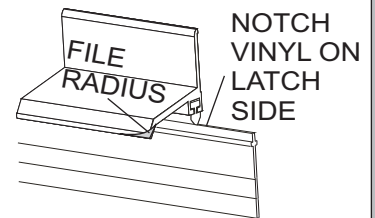
- 2 Evaluate your threshold, if an inward slope is not present on your threshold use the options Low Curb Dam Strip, (Item #6) that is included with this product. If you are using the dam strip, measure from wall to wall at the base, and cut the dam strip 1/16" less than the opening. The door will be installed on top of the dam strip. If not using the dam strip start the installation on top of the threshold. If this is a door only installation cut the wall jambs down 1-1/16", to the same size as the hinge and strike jamb. Position the hinge side wall jamb on the dam strip or threshold over the centerline, plumb and mark hole locations. Drill 3/16" holes for the plastic anchors. Install the anchors, and place some sealant into the anchors, place wall jamb over the anchors and secure the wall jamb with #8X1-1/2" flathead screws. For the strike side wall jamb, set in place and plumb, then mark only the bottom mounting hole. Insert and anchor, and secure the bottom of the wall jamb tight enough to hold, but loose enough to adjust.

- 3 Slide the strike jamb in place over the wall channel with only one screw in it, do not secure. Slide the hinge jamb over the fixed wall jamb. Adjust the door assembly and strike jamb so that the magnets work together and so that they are adjusted the same off of each wall jamb. Use a level on the top of the door to ensure that it is level. Then drill through the top hole already in the hinge jamb into the wall jamb with a 1/8" drill bit. Secure the door with #8x1/2" pan head TEK screw, then drill the middle and bottom of the hinge jamb and secure in the same manner.

- 4 Position the strike jamb vertically by closing the door and adjusting the strike jamb so that the magnets seal along the full length of the strike. Mark the position of the strike side wall jamb then remove the strike, mark the remaining mounting hole locations onto the wall with the jamb on the mark. Remove the screw holding the jamb and drill the remaining two holes and insert wall anchors. Add sealant into the anchors, then secure the wall jamb to the wall.

- 5 Replace the strike jamb over the wall jamb and adjust it to line up with the magnet on the door. If the magnets repel each other, slide the magnet out and turn end for end and slide it back into the strike. Secure the strike jamb to the wall jamb by drilling through the factory holes in the strike jamb into the wall jamb with a 1/8". Secure with #8x1/2" pan head TEK screws.

- 6 Measure the length of the bottom rail on the door and add 3/8". Cut the drip rail to that size and radius the cut end to match the factory end. Install the bottom sweep vinyl into the bottom of the drip rail, and trim with 1/4" extending out of each end of the drip rail. Notch the heavy part of the sweep where it meets the strike jamb. Peel the backing off of the drip rail. From the inside of the shower, Close the door and install the drip rail so that the vinyl sweep is 1/16" above the dam strip. If not using the dam strip the vinyl sweep should barely touch the threshold.



We recommend filing any sharp corners that may cause injuries, then clean and run a continuous bead of silicone sealant outside of the threshold and up the wall jambs.



These installation instructions must be followed to ensure proper operation of the door and to reduce the risk of serious injury. Any deviation from these instructions can result in a serious safety hazard

All exposed ends of aluminum that are rough, sharp or jagged due to the metal being cut, drilled or damaged should be deburred, smoothed or rounded by the installer before installation. Failure to do so could result in serious injury to the user of the enclosure.

Any part of the swinging glass door hitting any unprotected bathroom obstruction or metal or glass component of the shower door itself, may indicate improper installation and could lead to serious injury. Installer must correct the deficiencies before allowing the door to be used.

For installation and technical support please reference the shipping document, the box that the product was shipped in or call the retail location that you purchased the product from.