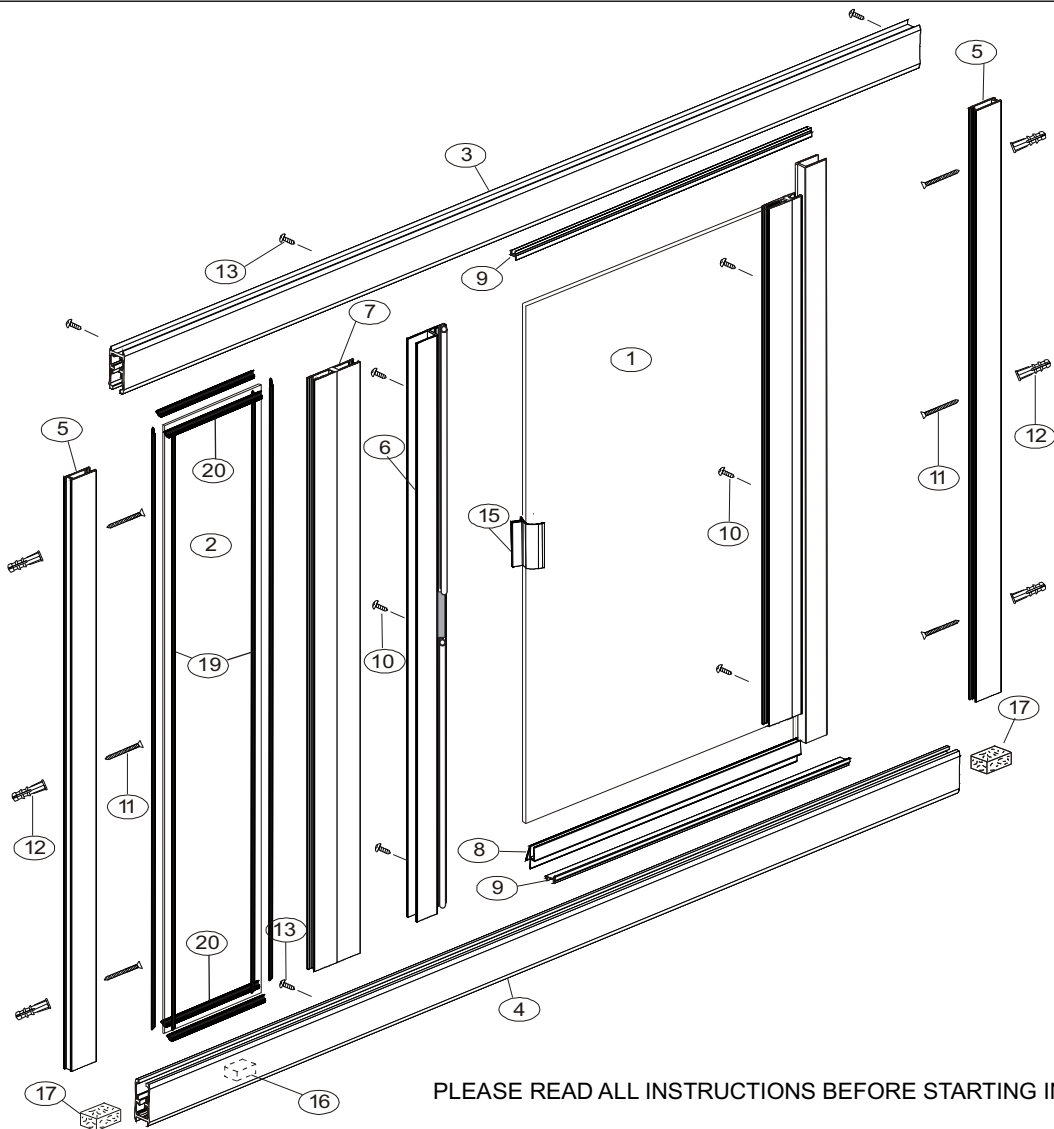


# 3/16" FRAMELESS SWING DOOR WITH INLINE PANEL

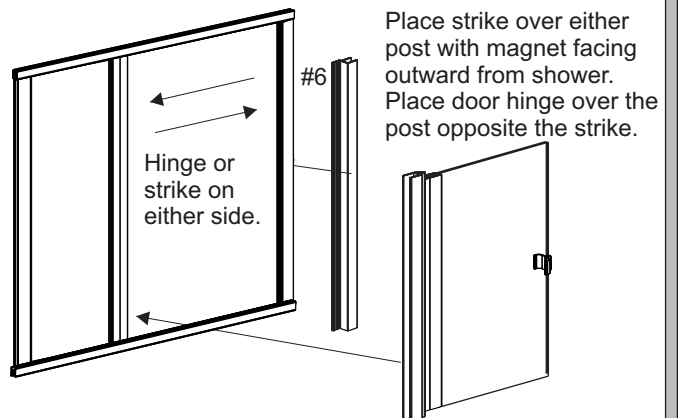
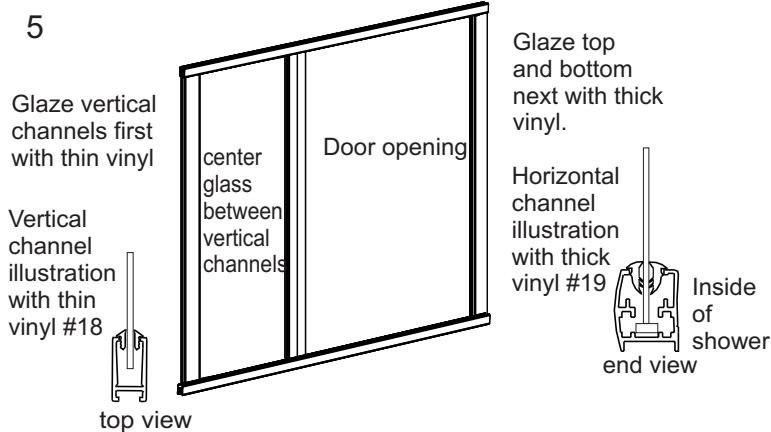
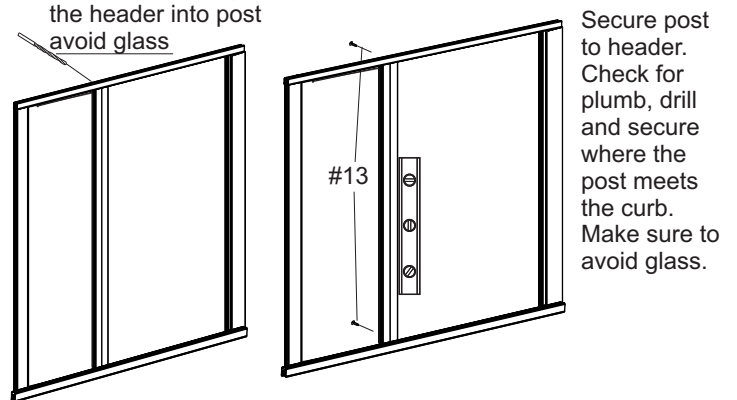
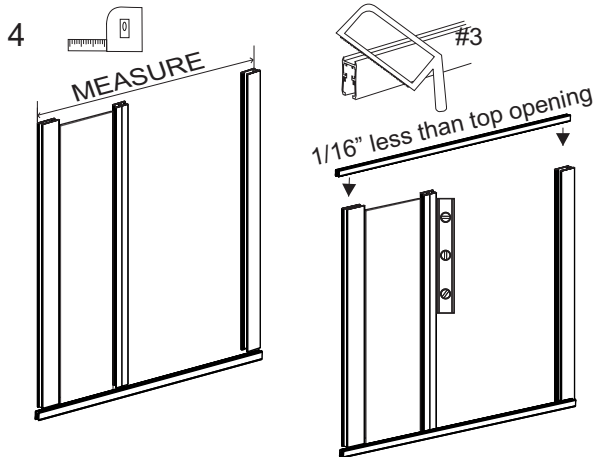
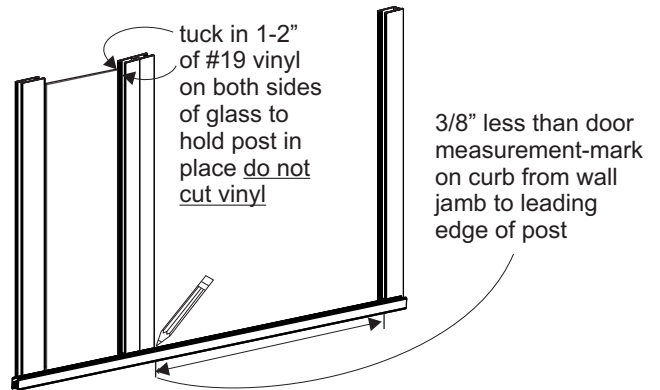
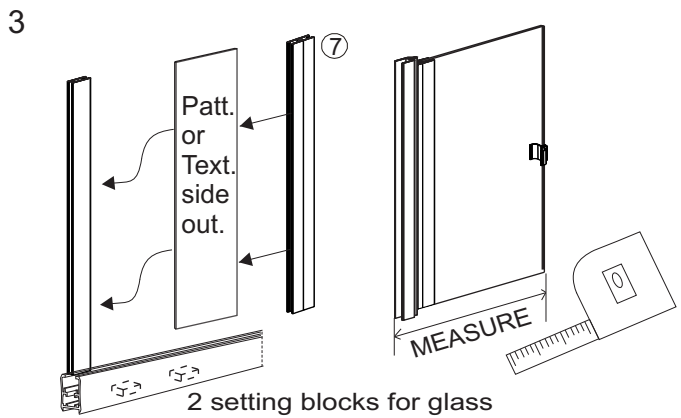
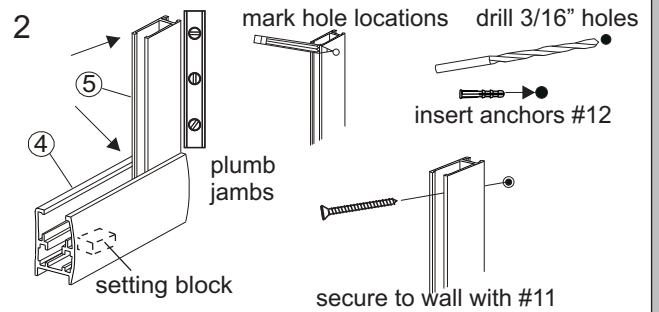
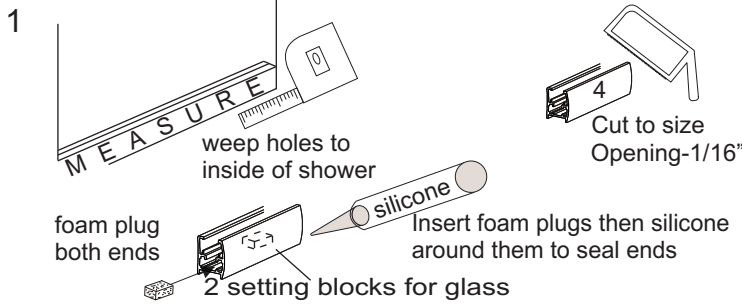


PLEASE READ ALL INSTRUCTIONS BEFORE STARTING INSTALLATION

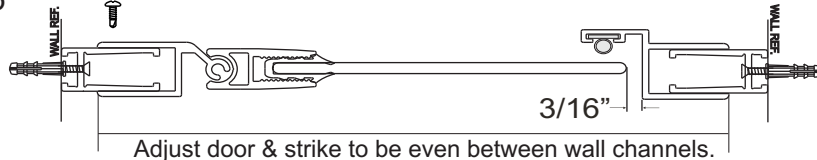
Latch Pack			Hardware Pack		
Cat #	Parts	QTY.:			Qty.:
①	Door	1	⑩	2110 #8X1/2"PHPH TEK	6
②	Panel Glass	1	⑪	2101 #8x 1-1/2" FHPHSMS	6
③	1171 Stall Header	1	⑫	2217 Anchors	6
④	1271 Stall Curb	1	⑬	2102 #6X3/8" PHPHSMS	2
⑤	1268 Wall Channel	2	10-13 Only Parts Bag #3027		
⑥	1193 Strike Jamb (w/ steel & bulb seal)	1	⑭	2191 Handle Magnet	1
⑦	1173 Inline Post	1	⑮	2196 Handle	1
⑧	4082 Drip Rail	1	⑯	2203 Setting Blocks	2
⑨	1072 Curb Filler	2	⑰	2204 Foam Curb Plugs	2
⑱	4025 Thin Vinyl	4	⑱	VS-11 Handle Vinyl (Not Shown)	1
⑳	4026 Thick Vinyl	4			

TOOLS REQUIRED FOR INSTALLATION OF A 3/16" FRAMELESS DOOR WITH INLINE PANEL

1. Pencil or glass marking pencil
2. Mallet
3. Level
4. Tape Measure
5. Hacksaw With Fine Tooth Blade
6. Mill File to smooth rough edges
7. Drill With Phillips #2 Tip, 1/8" & 3/16" Drill Bits
8. Caulking Gun ( With Clear Silicone Recommended)
9. Sharp Knife or Razor Knife
10. Painters Tape



# 3/16" FRAMELESS SWING DOOR WITH INLINE PANEL

**6**  **6A.** Adjust hinge jamb so the top of the door is even with the header. Drill 1/8" hole at top of hinge jamb and secure with #6x3/8" screw. Repeat at bottom & middle of hinge jamb.

Adjust door & strike to be even between wall channels.

Center vinyl on edge of glass

Flex the handle open and install over the vinyl with the magnet to inside of shower or-

Vinyl (18)

Tap the handle over the vinyl with a wood or rubber mallet. Trim any excess vinyl.

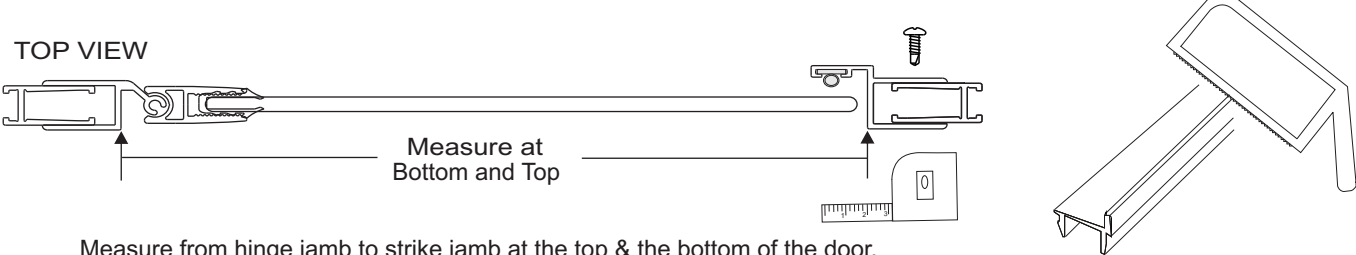
**6B.** Check that door is level.

**6C.** Drill 1/8" holes and insert screws at center top & bottom

Door should swing out

- 7** Make sure that the magnet works with the steel in the strike jamb. Drill 1/8" hole near the top of the strike and secure with #6x3/8" screw. Check strike for plumb then drill and secure strike at middle and bottom.

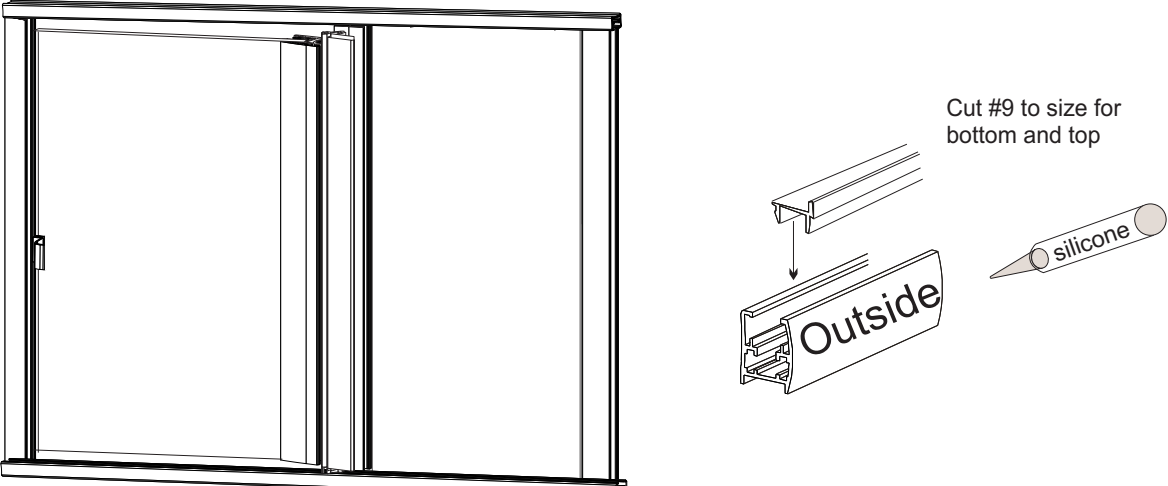
**TOP VIEW**



Measure at Bottom and Top

Measure from hinge jamb to strike jamb at the top & the bottom of the door. Cut the curb fillers to size.

- 8** Open the door and snap the bottom curb fill into the bottom curb with the vertical lip to the outside. Seal both ends with silicone. Snap the top curb fill into the header with the vertical lip to the outside, do not seal.

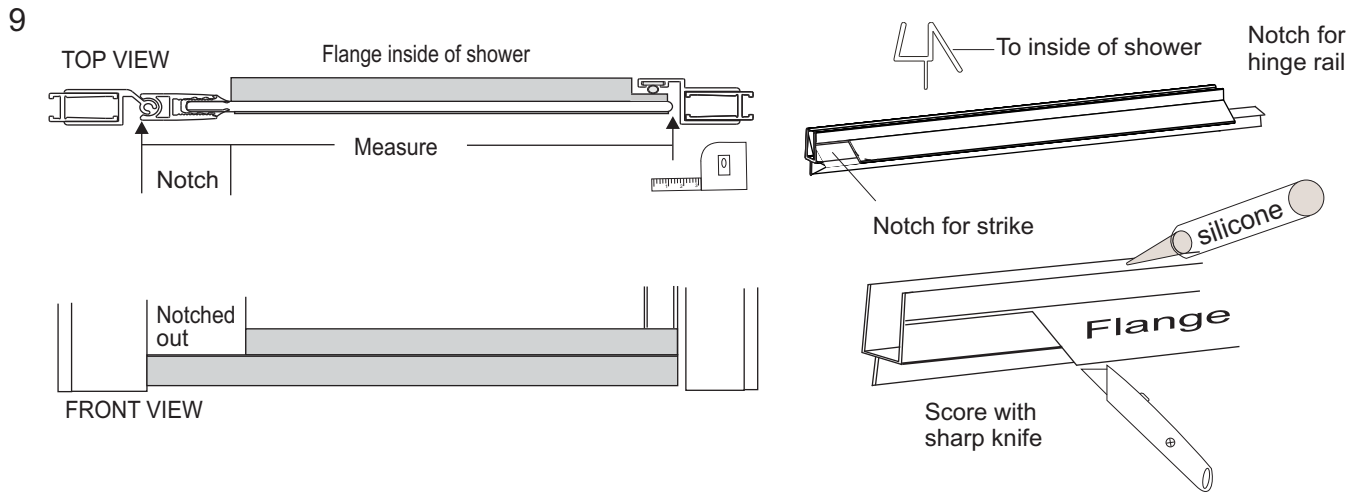


Cut #9 to size for bottom and top

silicone

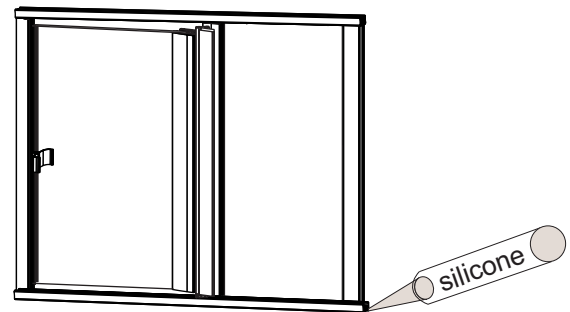
Outside

# 3/16" FRAMELESS SWING DOOR WITH INLINE PANEL



Measure the bottom of the door from the edge of the glass to the hinge rail. Cut the drip rail to that size so that the notch is on the side where the hinge rail is and the flange is on the inside of the shower. Notch the flange of the drip rail so that it does not interfere with the strike on the inside of the door. The flange may be scored with a razor knife to make it easier to snap off. The upper portion of the drip rail should be notched so that the flexible sweep extends under the hinge rail. When you are satisfied with the fit of the drip rail install it onto the bottom of the door pushing up far enough so that the sweep drags across the dam strip. When the rest of the installation is complete, remove the drip rail and place a few drops of silicone into the channel. Replace the drip rail onto the bottom of the door glass.

- 10 Run a continuous bead of silicone around the outside of the unit where the metal meets the walls and threshold.



For installation and technical support please reference the shipping document, the box that the product was shipped in or call the retail location that you purchased the product from.

These installation instructions must be followed to ensure proper operation of the door and to reduce the risk of serious injury. Any deviation from these instructions can result in a serious safety hazard.



All exposed ends of aluminum that are rough, sharp or jagged due to the metal being cut, drilled or damaged should be deburred, smoothed or rounded by the installer before installation. Failure to do so could result in serious injury to the user of the enclosure.

Any part of the swinging glass door hitting any unprotected bathroom obstruction or metal or glass component of the shower door itself, may indicate improper installation and could lead to serious injury. Installer must correct the deficiencies before allowing the door to be used.