

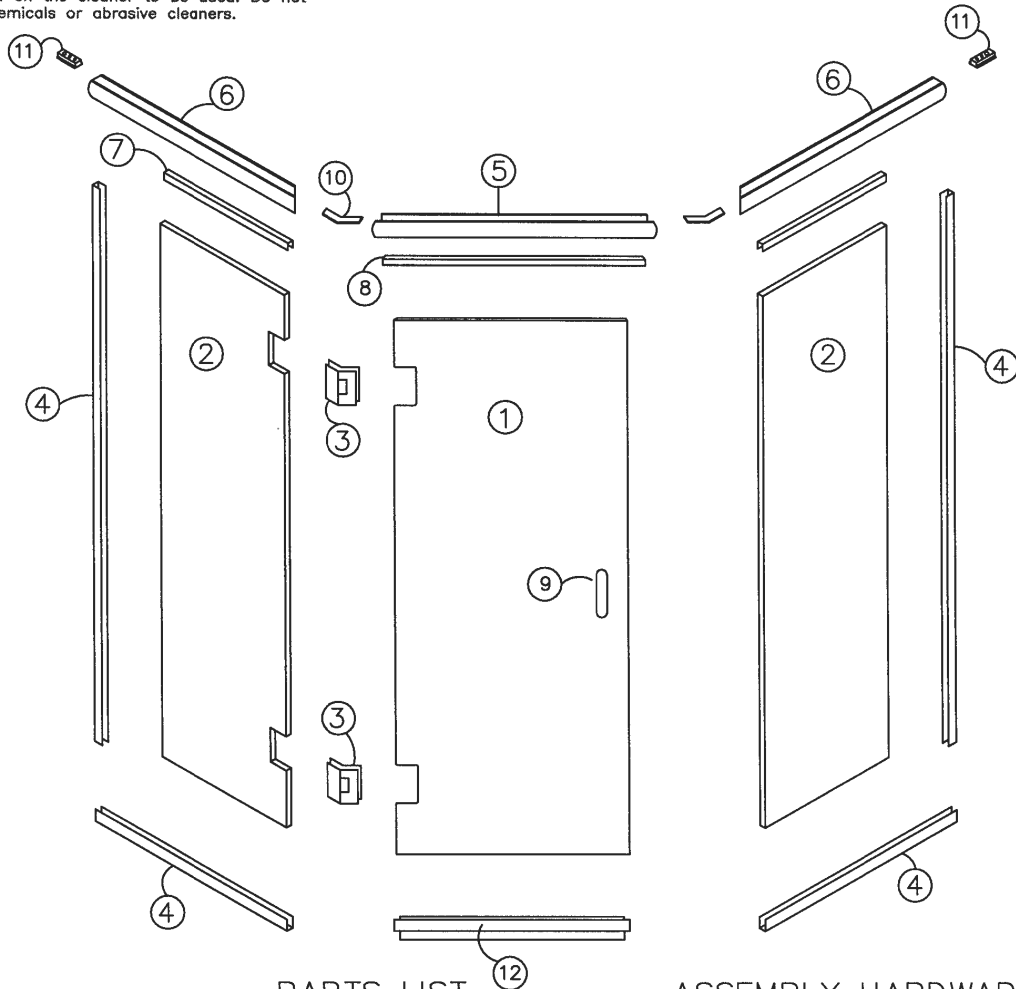
Installation Instruction

HLSDNeo (1/2-in), ELSDNeo (3/8-in) or QLSDNeo (1/4-in)

WARNING: This is tempered glass. When working with glass, protect the edges at all times. Do not set the edge of the glass directly on any hard surface. Protect all of the edges from impact with with hard surface or object.

We recommend two person installation.

WARNING: To avoid damage to the finish of this deluxe enclosure, use only mild cleaners. Always read the label on the cleaner to be used. Do not use harsh chemicals or abrasive cleaners.



NOTE: Before beginning the installation, read all instructions and check that all parts contained in the carton and hardware package match those parts listed below. If you should find any discrepancies please contact HOLCAM SALES at 800-843-3332




TOOLS REQUIRED

1. Tube of approved bathroom silicone sealant and caulking gun
2. 5/32" allenhead wrench
3. Philips head screwdriver
4. Wood shims (wedged shape)
5. Painters masking tape
6. Drill motor w/ (9/64" & 3/16" drill bits)
7. Level
8. Mill file
9. Hacksaw

PARTS LIST

ITEM	NAME	QTY.
1.	Door Glass	
2.	Panel Glass	
3.	Hinges	
4.	U Channel	
5.	Header—Center	
6.	Header—Returns	
7.	Vinyl Glazing	
8.	Crown Filler	
9.	Handle Assembly	
10.	Splice Plate	
11.	Wall Mount Bracket	
12.	Vinyl Sweep	

ASSEMBLY HARDWARE

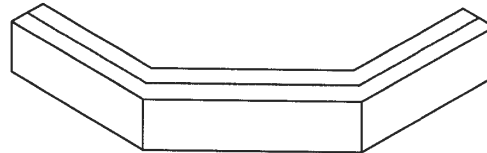
ITEM	NAME	QTY.
1.	#8x1-1/2" screw 	
2.	Plastic Anchors 	
3.	U-Channel 	
4.	Adjusting Blocks	

REV 1/2011

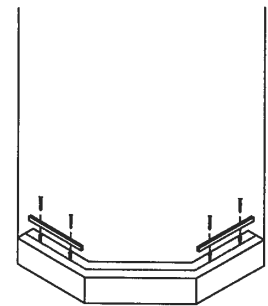
Installation Instruction

HLSDNeo (1/2-in), ELSDNeo (3/8-in) or QLSDNeo (1/4-in)

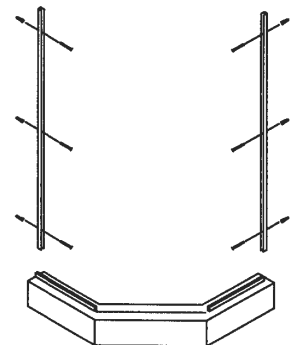
1. Mark the centerline of sill lightly in pencil.



2. Center the bottom channel over the pencil mark on sill and butted up to the wall. Mark hole locations. Drill 3/16" holes and insert plastic anchors. Secure channel to sill with #8x1-1/2" screws.



3. Center the wall channel above the u-channel on the sill. Plumb and mark the hole locations. Drill 3/16" holes and insert plastic anchors. Secure channel to wall with #8x1-1/2" screws.

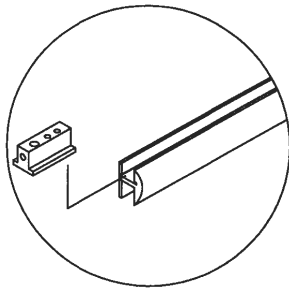
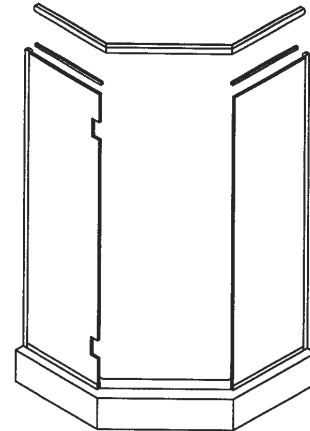


4. Place 1/4" setting blocks inside bottom channel. Position the panel glass in the channel. Adjust the height of glass to be 3/8" above the top of wall channel. Adjustments can be made by changing the thickness of the setting blocks in the bottom channel. Check to make sure the panels are plumb. Check to make sure the spacing in-between the panels equals the width of the door glass plus 1/4". Adjust as necessary.

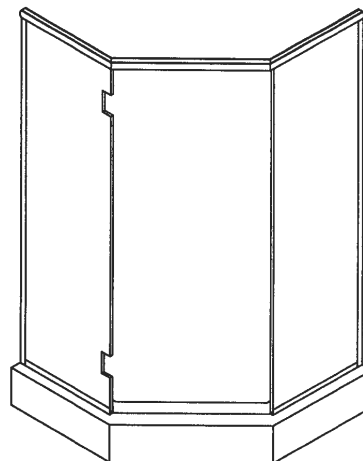
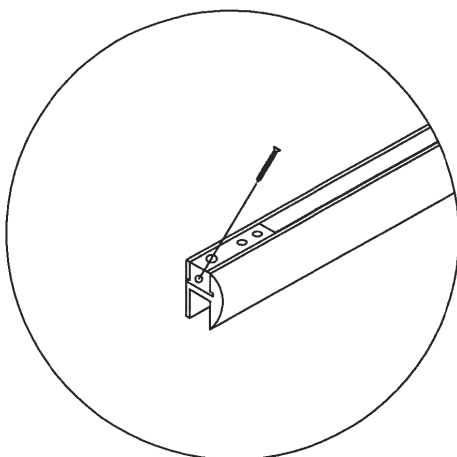
Installation Instruction

HLSDNeo (1/2-in), ELSDNeo (3/8-in) or QLSDNeo (1/4-in)

5. Measure along the top edge of panel and add 1/4". Using this measurement on the long side of the header cut to size at the square end of header. Assemble headers with splice plates. Use a 5/32" Allenhead wrench to tighten set screws. Slide the wall mounting brackets into ends of header. Measure the exposed top edge of the panel glass and cut the glazing vinyl to size. Install the glazing vinyl over top edge of the glass. Install the header assembly down over top edge of the glass panels. Check the header to make sure it is level, adjust if necessary.



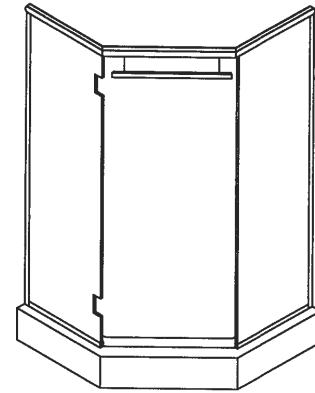
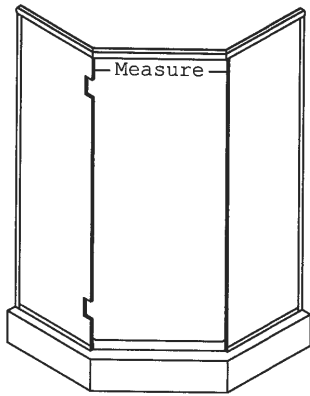
6. Position brackets at the walls and mark mounting hole locations on the wall. Remove header assembly. Drill a 3/16" hole in wall and insert plastic anchor. Reinstall header assembly and secure at wall with #8x1-1/2" screws. Use a 5/32" Allenhead wrench to tighten set screws.



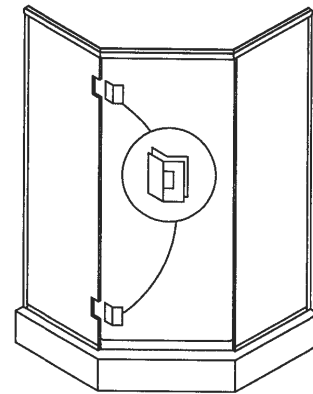
Installation Instruction

HLSDNeo (1/2-in), ELSDNeo (3/8-in) or QLSDNeo (1/4-in)

7. Check panels for proper positioning, adjust as necessary. Panels may be locked in place temporarily by wedging a thin setting block between the glass and the channel. Measure open area between panels at header. Cut crown filler to size and snap into bottom side of header.

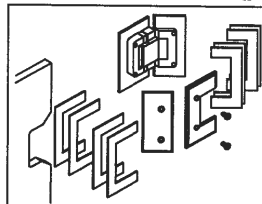


8. Place rubber gaskets on hinge as shown. (Use 2 gaskets on each side of hinge for 3/8" glass, one gasket per side for 1/2" glass) Install hinges on panel glass. Plumb hinge to glass and tighten screws in sequence as shown. Repeat the tightening sequence until a good hold is achieved. Place 1/2" shims along sill for door glass to rest on during installation. Place rubber gaskets on hinge and position door glass over hinge. Install rubber gaskets and backing plate with set screws. Plumb door glass and follow the tightening sequence, again repeat tightening sequence to achieve a good hold on glass. Remove shims and check door for proper operation. Adjust as necessary.



Install hinge onto panel

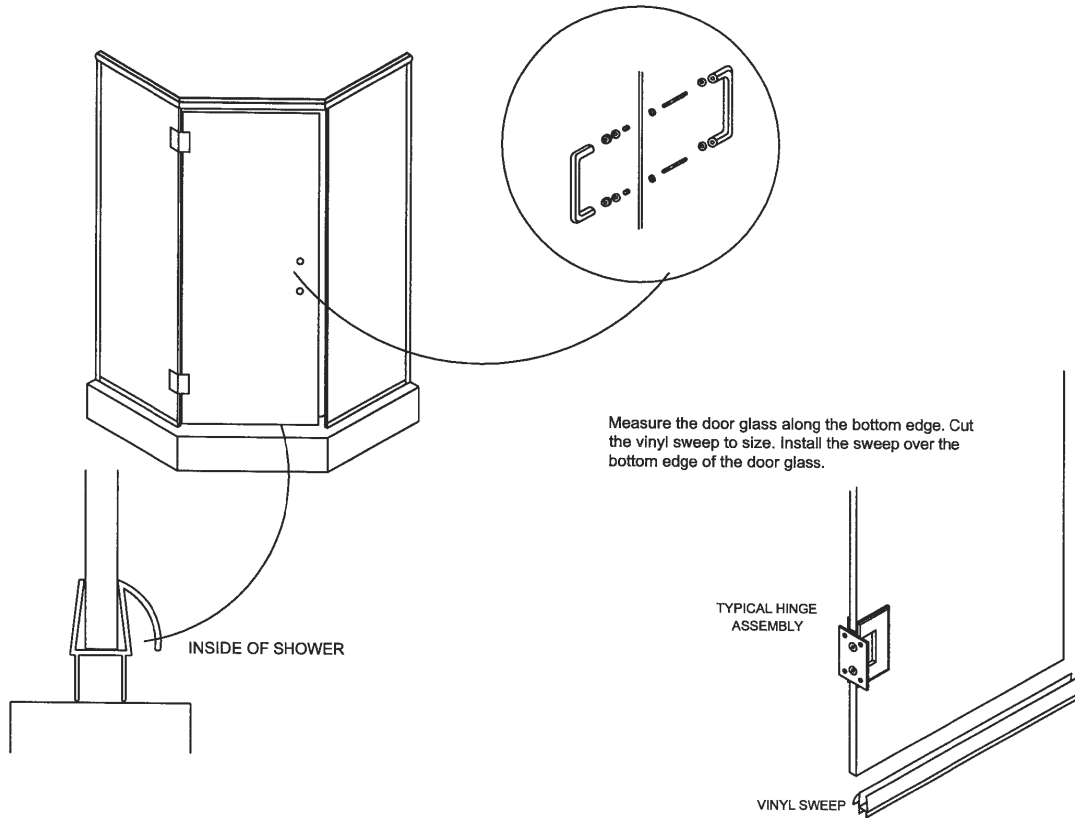
HINGE ASSEMBLY



Installation Instruction

HLSDNeo (1/2-in), ELSDNeo (3/8-in) or QLSDNeo (1/4-in)

plastic shims and bushing. Measure the width of the door glass at the bottom edge. Cut the vinyl sweep to size and install over the edge of the glass with the hood towards the inside of the shower.



10. Run small continuous bead of silicone on both sides of stationary panels where the U-channel and glass meet. Allow 24 hours for the silicone to cure before using shower.

